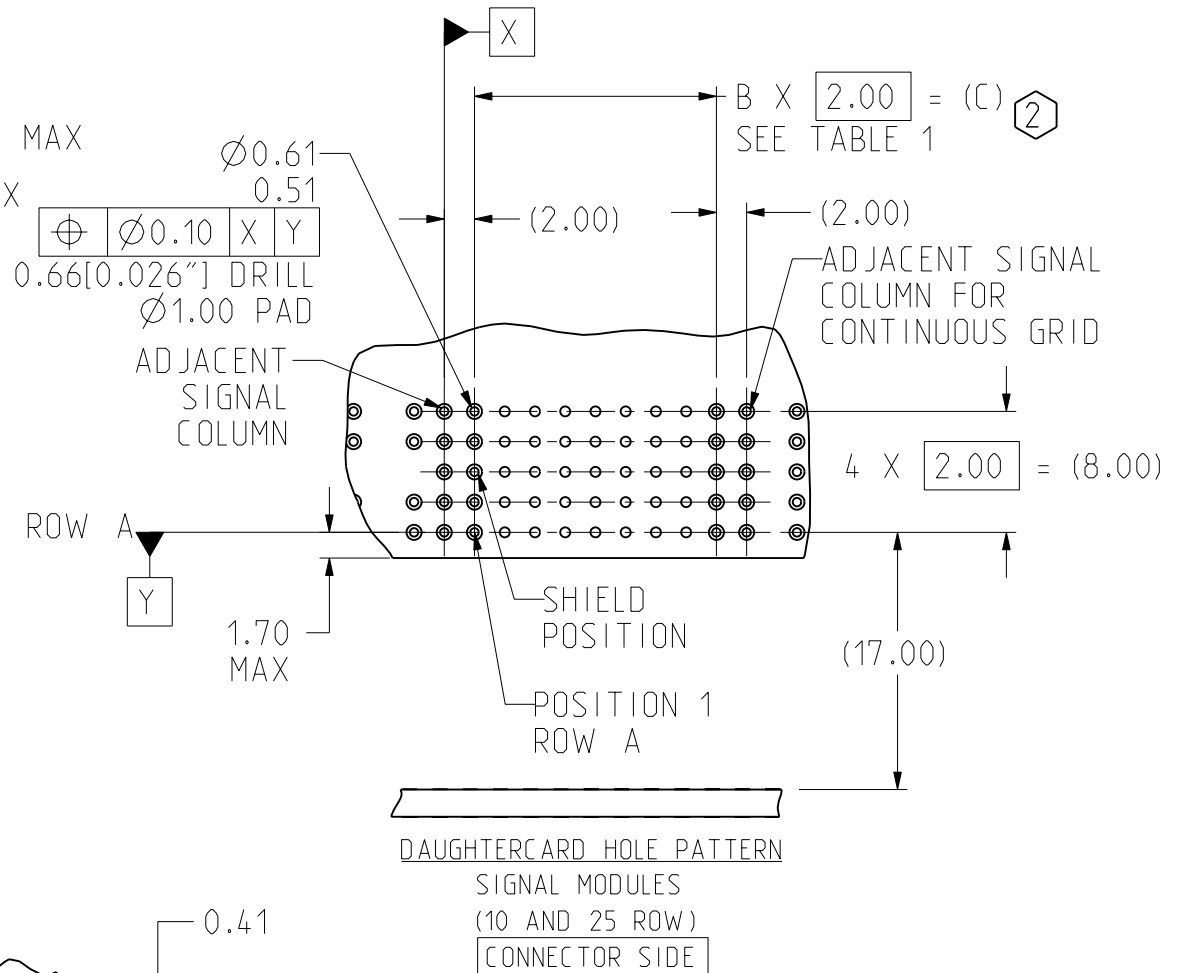
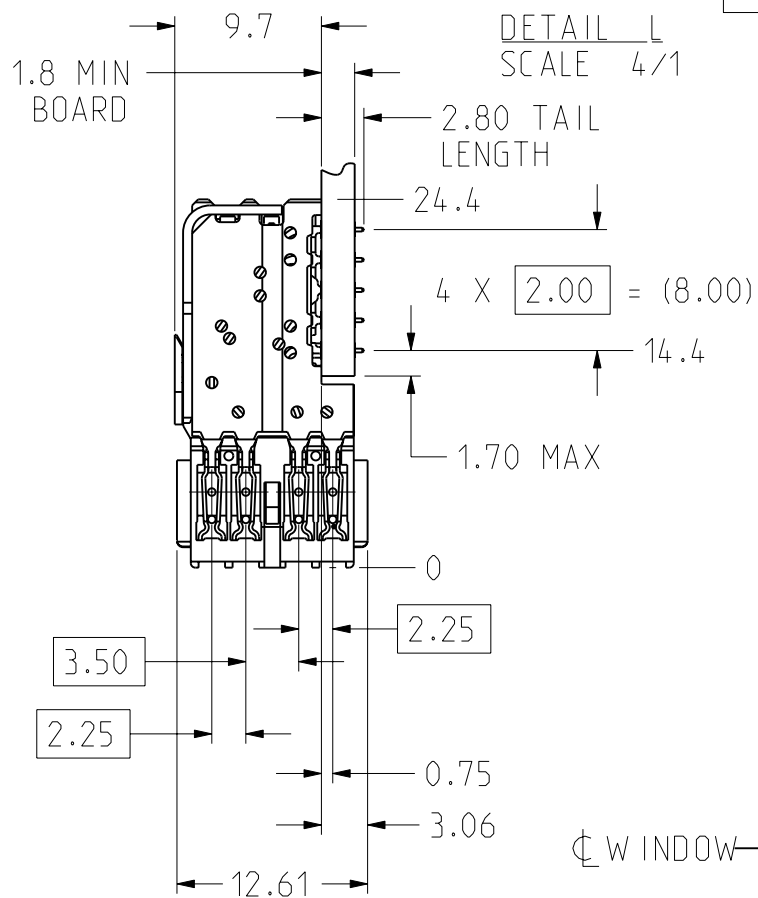
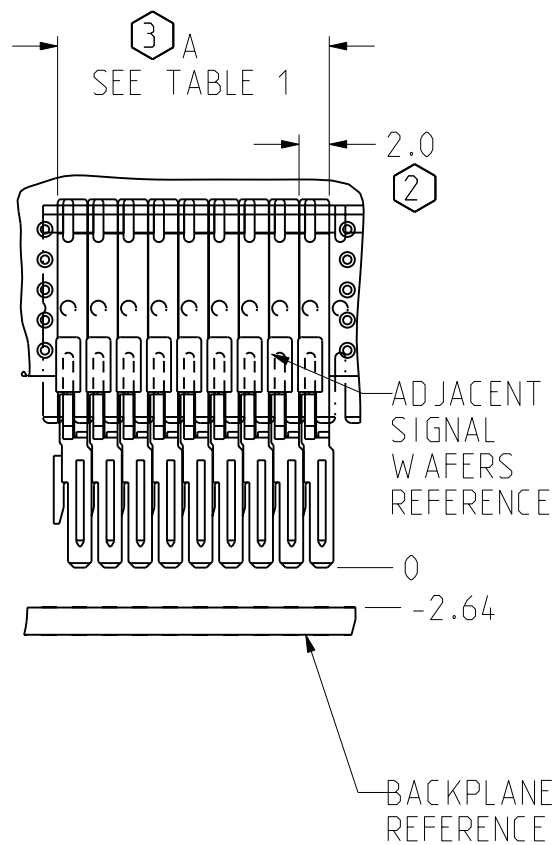
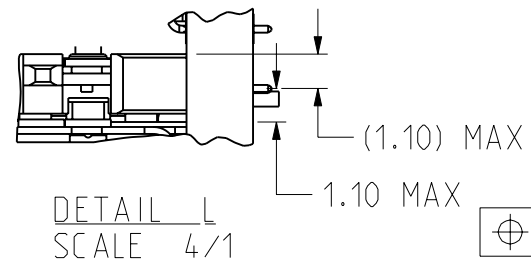
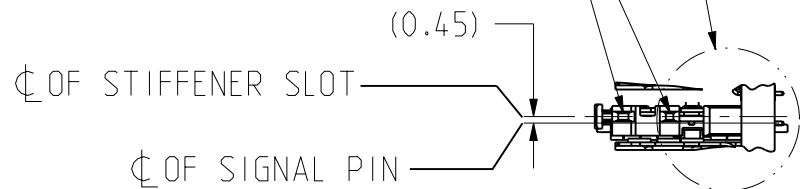


| NUMBER OF 5 ROW MODULES | A    | B  | C     |
|-------------------------|------|----|-------|
| 10                      | 20.0 | 9  | 18.00 |
| 25                      | 50.0 | 24 | 48.00 |

| ZONE | REV | SCR NO.           | DESCRIPTION  | BY     | DATE       | APPROVED  |
|------|-----|-------------------|--|--------|------------|-----------|
|      | H   | CSAS-7LGJ9G.VER01 | UPDATED DESCRIPTION                                      | HCL-MH | 11/26/08   | C.SAMMIS  |
|      | J   | CSAS-7WCKDL.VER01 | ADDED NOTE FOR PLATING ON PAGE 2                         | HCL-RB | 10/15/09   | U.MAYORAL |
| SH2  | K   | CSAS-824TU3.VER01 | ADDED NEW PART NUMBERS FOR NEW PLATING CODES IN TABLE 2. | HCL-GM | 01/29/2010 | C.SAMMIS  |

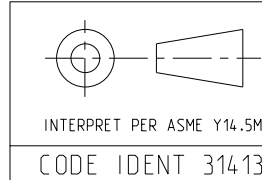
SEE DETAIL L  
STIFFENER MOUNTING FEATURES



NOTES:

1. DIMENSIONS AND TOLERANCES ARE IN MILLIMETERS, INTENDED FOR LAYOUT PURPOSES ONLY AND SUBJECT TO CHANGE WITHOUT NOTICE.
2. USE 2.0 MM NOMINAL FOR DAUGHTERCARD LAYOUT.
3. MODULES MUST BE USED IN GROUPS OF 10 OR 25 (SEE TABLE 1)
4. FOR HASL FINISHES ONLY, 0.61-0.495mm PTH.

SEE DETAIL K  
DETAIL K SCALE 4/1  
PLATED THROUGH HOLE (SIGNAL COLUMN)



| TOLERANCES | DESIGN 4/6/99 DP/COL/JSG/JV |
|------------|-----------------------------|
| 0.0        | ±0.25                       |
| 0.00       | ±0.13                       |
| 0.000      | ± -                         |
| ANGLES     | ± -                         |

**Amphenol TCS**  
A Division of Amphenol Corporation  
200 Innovative Way, Nashua, NH 03062 603.879.3000

TITLE: DAUGHTERCARD SIGNAL WAFER  
5 ROW VHDM-HSD

PART NO. SEE TABLE 2 REV N/A

DRAWING NO. C-257-5202-500 REV K

Pro/E type: P1018-ASSY 1.73  
Pro/E DRAWING: C-257-5202-500 K.O.

SIZE B SCALE 2/1 SHEET 1 OF 2

UNLESS OTHERWISE SPECIFIED DIMENSIONS ARE IN MM. DECIMAL MARKER IS A PERIOD

CUSTOMER USE DRAWING

DRW NO. C-257-5202-500 SH 1 REV K

4

3

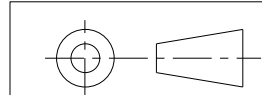
|                           |         |          |
|---------------------------|---------|----------|
| DRW NO.<br>C-257-5202-500 | SH<br>2 | REV<br>K |
|---------------------------|---------|----------|

| ZONE | REV | SCR NUMBER | DESCRIPTION | BY | DATE | APPROVED |
|------|-----|------------|-------------|----|------|----------|
|      |     |            | SEE SHEET 1 |    |      |          |

TABLE 2

| PART NUMBER  | MAKE FROM                    | BASE MATERIAL OF WAFER        |
|--------------|------------------------------|-------------------------------|
| 257-5272-732 | 257-4272-732<br>258-3272-732 | BeCu                          |
| 257-5202-735 | 257-4202-735<br>258-3202-735 | BeCu                          |
| 257-5272-768 | 257-4272-768<br>258-3272-768 | BeCu                          |
| 257-5202-769 | 257-4202-769<br>258-3202-769 | BeCu                          |
| 257-5878-715 | 257-4878-715<br>258-3878-715 | HIGH PERFORMANCE COPPER ALLOY |
| 257-5878-732 | 257-4878-732<br>258-3878-732 | HIGH PERFORMANCE COPPER ALLOY |
| 257-5808-735 | 257-4808-735<br>258-3808-735 | HIGH PERFORMANCE COPPER ALLOY |
| 257-5878-768 | 257-4878-768<br>258-3878-768 | HIGH PERFORMANCE COPPER ALLOY |
| 257-5808-769 | 257-4808-769<br>258-3808-769 | HIGH PERFORMANCE COPPER ALLOY |
| 257-5878-816 | 257-4878-816<br>258-3878-816 | HIGH PERFORMANCE COPPER ALLOY |
| 257-5878-803 | 257-4878-803<br>258-3878-803 | HIGH PERFORMANCE COPPER ALLOY |
| 257-5808-804 | 257-4808-804<br>258-3808-804 | HIGH PERFORMANCE COPPER ALLOY |
| 257-5878-805 | 257-4878-805<br>258-3878-805 | HIGH PERFORMANCE COPPER ALLOY |
| 257-5808-806 | 257-4808-806<br>258-3808-806 | HIGH PERFORMANCE COPPER ALLOY |

\* THE LAST THREE DIGITS OF THE SIGNAL WAFER PART NUMBER DICTATE THE PLATING.



INTERPRET PER ASME Y14.5M  
CODE IDENT 31413

| TOLERANCES |       | DESIGN 4/6/99<br>DP/COL/JSG/JV |
|------------|-------|--------------------------------|
| 0.0        | ±0.25 | DRAWN 7/2/99<br>J.V.           |
| 0.00       | ±0.13 | CHK 11/22/99<br>D.Provencher   |
| 0.000      | ± -   | APVD 5/22/00<br>D.Provencher   |
| ANGLES     | ± -   |                                |

UNLESS OTHERWISE SPECIFIED DIMENSIONS ARE IN MM. DECIMAL MARKER IS A PERIOD

CUSTOMER USE  
DRAWING

|  |           |  |
|--|-----------|--|
| <b>Amphenol TCS</b><br>A Division of Amphenol Corporation<br>200 Innovative Way, Nashua, NH 03062 603.879.3000 |           | TITLE<br>DAUGHTERCARD SIGNAL WAFER<br>5 ROW VHDM-HSD |
|  |           | PART NO. SEE TABLE 2      REV N/A                    |
| DRAWING NO. C-257-5202-500   |           | REV K  |
| Pro/E type: P1018-ASSY<br>Pro/E DRAWING: C-257-5202-500  |           | 1.73<br>K.O  |
| SIZE B   | SCALE 2/1 | SHEET 2 OF 2   |

DRW NO.  
C-257-5202-500

SH  
2  
REV  
K

B

B

A

4

3

2

1