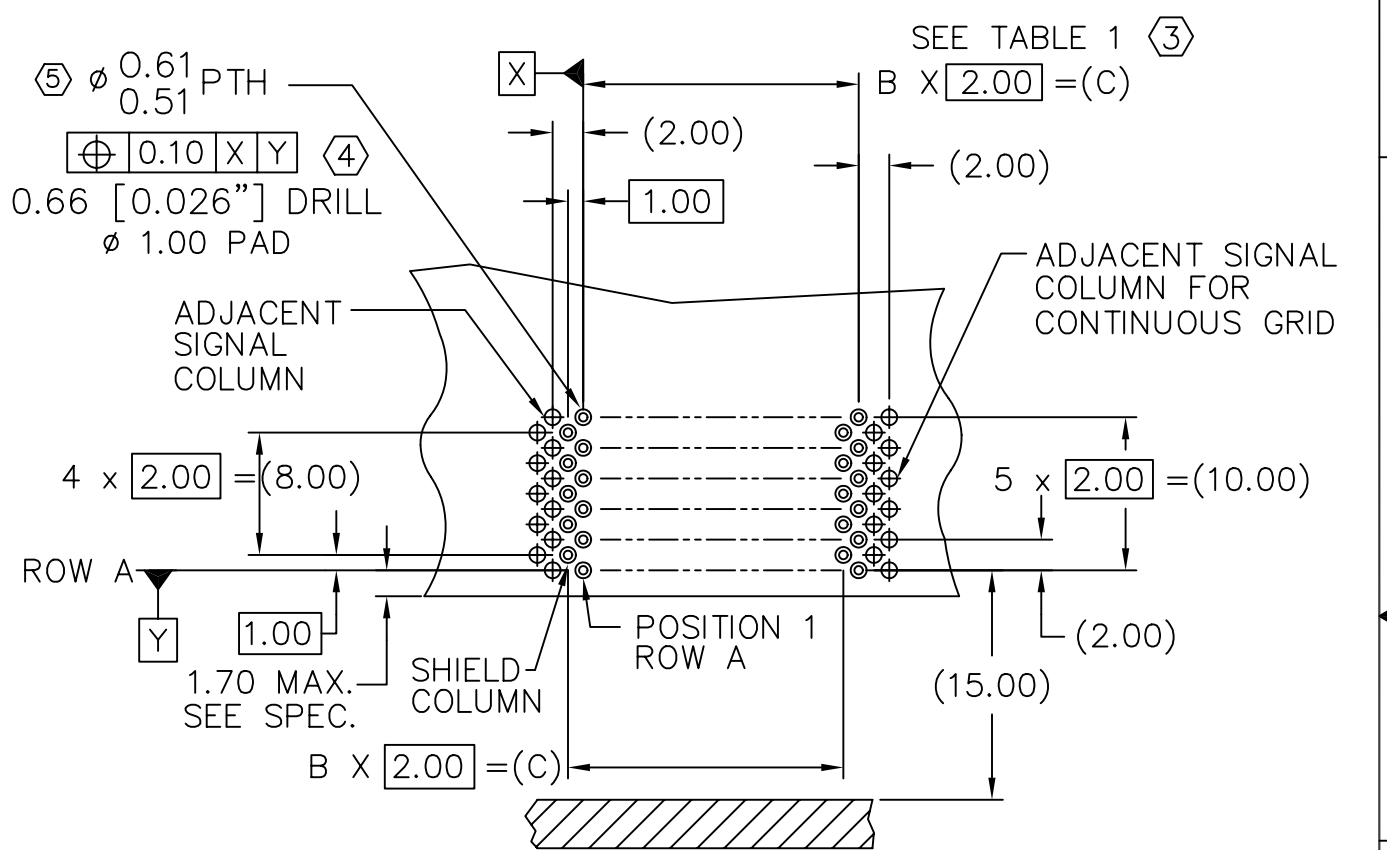
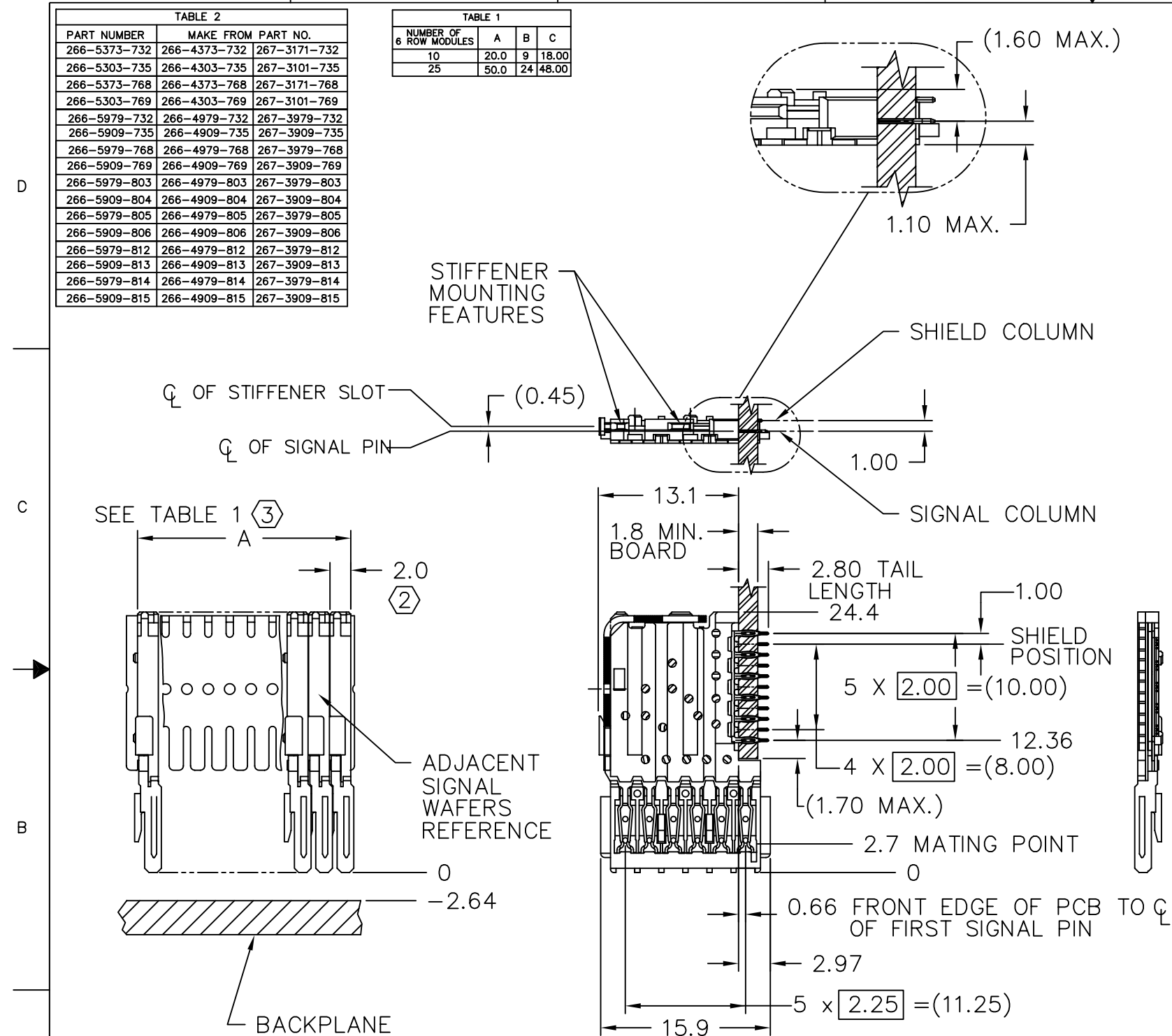


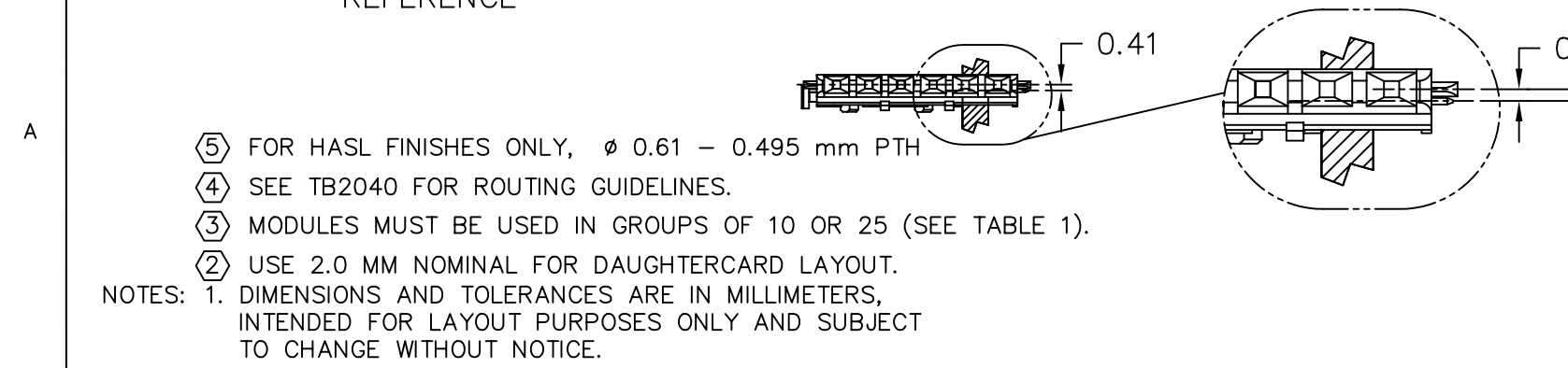
TABLE 2		
PART NUMBER	MAKE FROM PART NO.	
266-5373-732	266-4373-732	267-3171-732
266-5303-735	266-4303-735	267-3101-735
266-5373-768	266-4373-768	267-3171-768
266-5303-769	266-4303-769	267-3101-769
266-5979-732	266-4979-732	267-3979-732
266-5909-735	266-4909-735	267-3909-735
266-5979-768	266-4979-768	267-3979-768
266-5909-769	266-4909-769	267-3909-769
266-5979-803	266-4979-803	267-3979-803
266-5909-804	266-4909-804	267-3909-804
266-5979-805	266-4979-805	267-3979-805
266-5909-806	266-4909-806	267-3909-806
266-5979-812	266-4979-812	267-3979-812
266-5909-813	266-4909-813	267-3909-813
266-5979-814	266-4979-814	267-3979-814
266-5909-815	266-4909-815	267-3909-815

TABLE 1			
NUMBER OF 6 ROW MODULES	A	B	C
	10	20.0	9
25	50.0	24	48.00

REV	SCR NO.	DESCRIPTION	BY	DATE	APPROVED
C	DMAG-6BNMX4.VER01	ADDED LEAD FREE PLATING	SG	4/28/05	S.BAIR
D	MLEE-6K3KQZ.VER02	REPLACED DRAWING FORMAT	ML	01/18/05	C.SAMMIS
E	CSAS-822KQD.VER01	ADDED 702X MATERIAL AND NEW PLATING PART NUMBERS IN TABLE 2	HCL-GM	01/25/10	C.SAMMIS

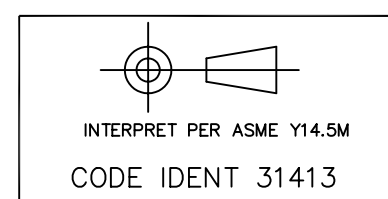


DAUGHTERCARD HOLE PATTERN
SIGNAL MODULES
(10 & 25 ROW)
CONNECTOR SIDE



- (5) FOR HASL FINISHES ONLY, ϕ 0.61 - 0.495 mm PTH
- (4) SEE TB2040 FOR ROUTING GUIDELINES.
- (3) MODULES MUST BE USED IN GROUPS OF 10 OR 25 (SEE TABLE 1).
- (2) USE 2.0 MM NOMINAL FOR DAUGHTERCARD LAYOUT.

NOTES: 1. DIMENSIONS AND TOLERANCES ARE IN MILLIMETERS, INTENDED FOR LAYOUT PURPOSES ONLY AND SUBJECT TO CHANGE WITHOUT NOTICE.



TOLERANCES	DWN	CHK	APVD
0.0 ± 0.25	3/10/97 J.VARHEGYI	3/18/97 D.Provencher	
0.00 ± 0.13			
0.000 ± -			
ANGLES ± -			

UNLESS OTHERWISE SPECIFIED DIMENSIONS ARE IN MILLIMETERS

CUSTOMER USE DRAWING

Amphenol TCS
A Division of Amphenol Corporation
200 Innovative Way, suite 201, Nashua, N.H. 03062 (603) 879-3000

TITLE: 6ROW SIGNAL WAFER VHDM CONNECTOR

PART NO. SEE TABLE 2	REV
DRAWING NO. C-266-5303-500	REV E
SIZE B	SCALE 2/1
SHEET 1 OF 1	

DWG NO. C-266-5303-500 SH 1 REV E