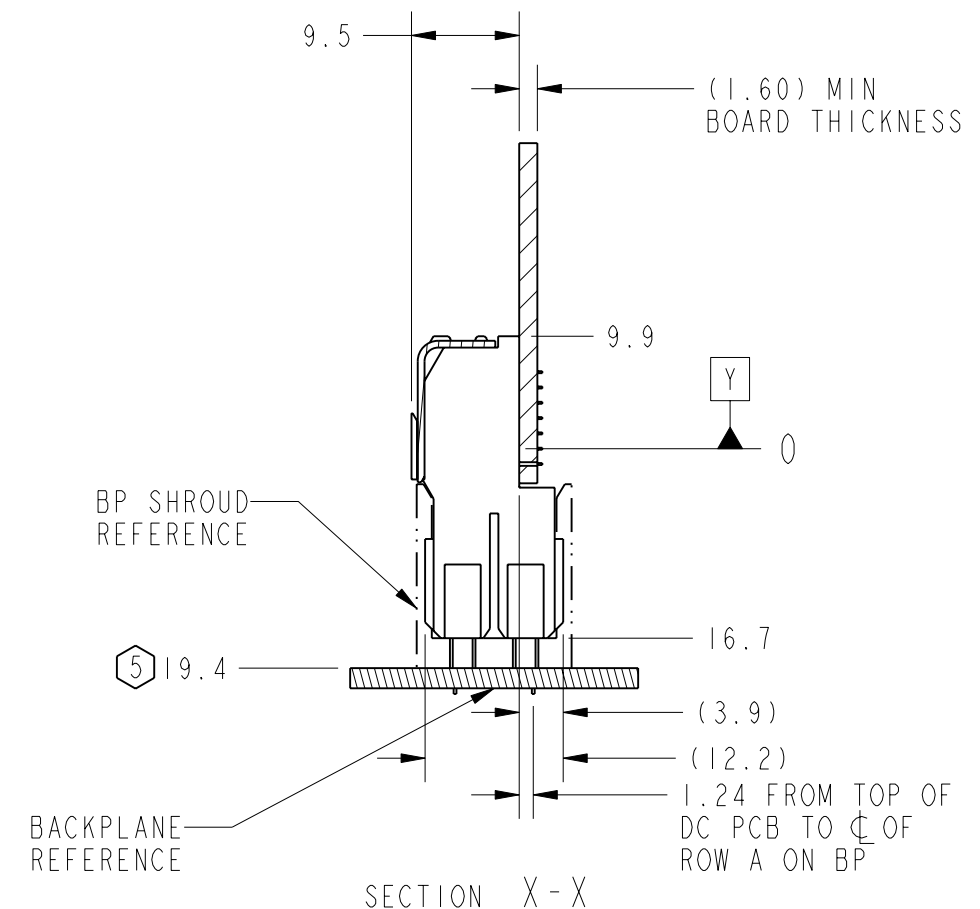
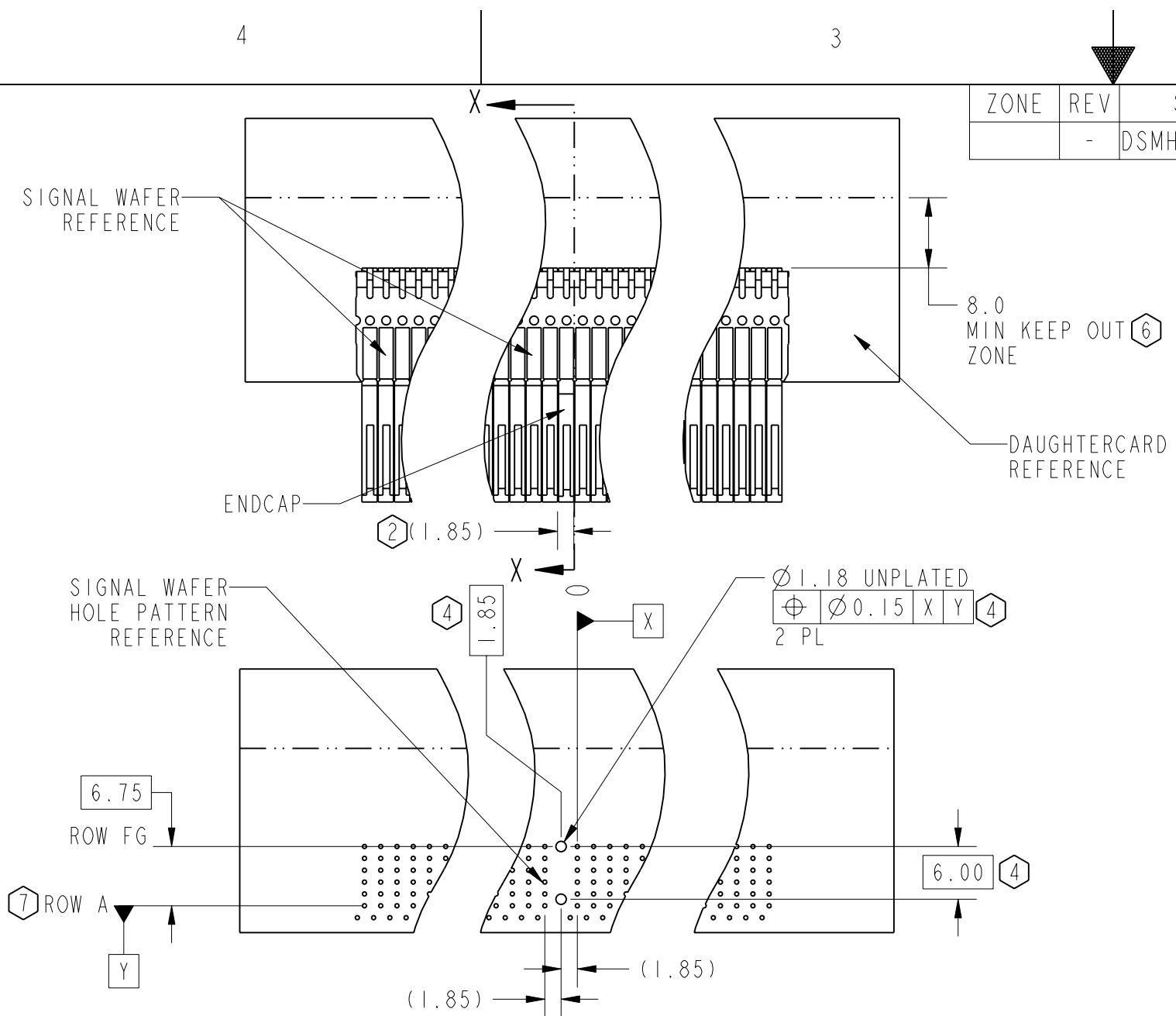


ZONE	REV	SCR NUMBER	DESCRIPTION	BY	DATE	APPROVED
	-	DSMH-6LUQFQ.VER01	NEW RELEASE	HCL	02/14/06	D.SMITH



NOTES:

1. INTENDED FOR LAYOUT PURPOSES ONLY.
- ② USE 1.85 mm NOMINAL FOR ENDCAP LAYOUT.
3. REFER TO TB-2085 FOR GbX PRODUCT SPECIFICATION.
- ④ PLATING NOT REQUIRED FOR THROUGH HOLES.
- ⑤ NOMINAL DIMENSION FOR FULLY SEATED CONNECTOR.
- ⑥ FOR CONNECTOR REPAIRABILITY, USE KEEP OUT ZONE.
- 7 GROUND ROWS ARE AG, DG, AND FG. ALL OTHER ROWS ARE SIGNAL ROWS.

TOLERANCES		DESIGN
.00	±.05	05/20/04 R.CHIFFY
.000	±.025	DRAWN 05/20/04 R.CHIFFY
.0000	± -	CHK XX/XX/XX J.DUNHAM
ANGLES	±1°	APVD XX/XX/XX T.COHEN

<p><b>Amphenol TCS</b> A Division of Amphenol Corporation 44 Simon Street, Nashua, NH, 03060 603.879.3000</p>		TITLE
		CUSTOMER USE ENDCAP ASSEMBLY 2 PAIR GbX
PART NO.	423-0117-070	REV -
DRAWING NO.	C-423-0117-000	REV -
ProcASSEM P1034-CU-DC-ENDCAP P1034-CU-DC-ENDCAP .drw		1.2 1.5
SIZE B	SCALE ~2/1	SHEET 1 OF 1

UNLESS OTHERWISE SPECIFIED  
DIMENSIONS ARE IN INCHES

INTERPRET PER ASME Y14.5M  
CODE IDENT 31413

CUSTOMER USE  
DRAWING

DRW NO.  
C-423-0117-000

SH  
1  
REV  
1