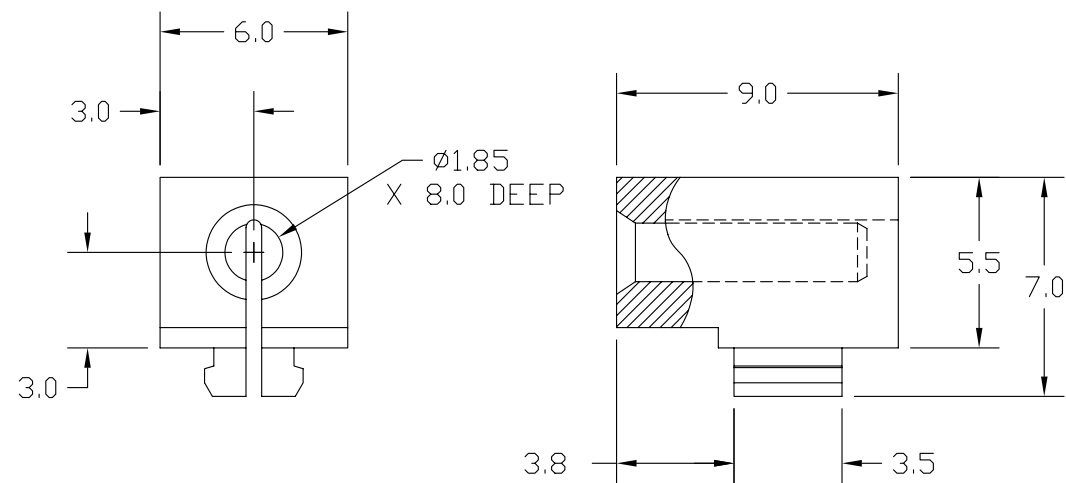
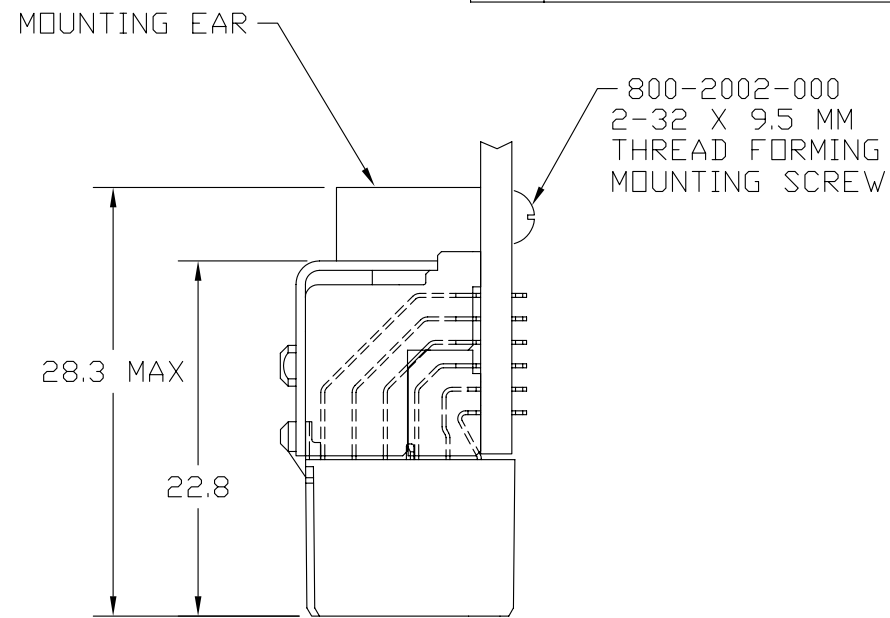
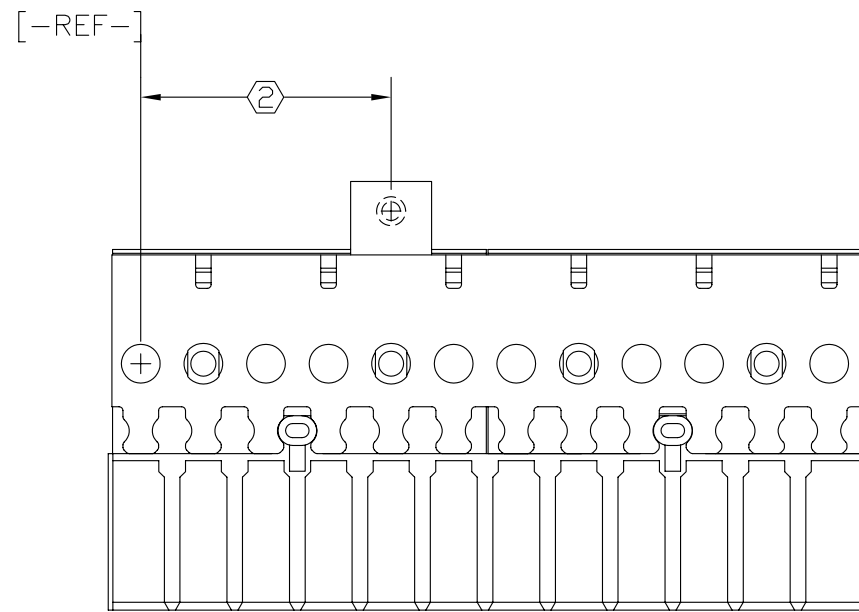
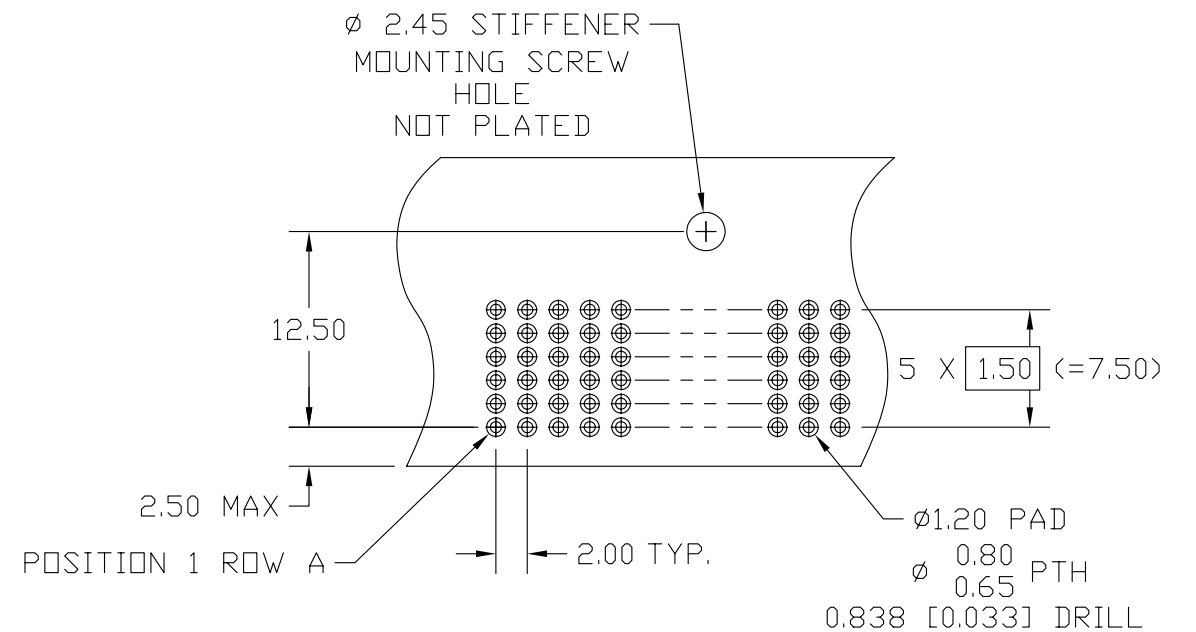


REV	SCR NO.	DESCRIPTION	BY	DATE	APPROVED
-	19103	NEW RELEASE	FR	04/08/96	G.GRASSETT
A	22563	RELEASED INTO CMS	DLS	10/6/97	L.MCMAHON
B	MLEE6K3KQZ.VER02	REPLACED DRAWING FORMAT	ML	01/18/05	C.SAMMIS



MOUNTING EAR
SCALE: 2/1



DAUGHTERCARD HOLE PATTERN

② PLACE MOUNTING EAR ON -REF- DATUM OR MULTIPLES OF 4MM.

NOTES: 1. FOR MATERIALS REFERENCE HDM PRODUCT SPECIFICATION TB2012.

TOLERANCES	DWN 04/08/96 F.ROTONDO	Amphenol TCS A Division of Amphenol Corporation 44 Simon Street, Nashua, NH. 03060 (603) 879-3000
0,0 ± 0.25	CHK 04/08/96 F.ROTONDO	
0,00 ± 0.13	APVD 09/08/96 G.GRASSETT	
0,000 ± -		
ANGLES ± -		TITLE STIFFENER MOUNTING EAR, HDM
UNLESS OTHERWISE SPECIFIED DIMENSIONS ARE IN MILLIMETERS		
CUSTOMER USE DRAWING		PART NO. 423-0124-000 REV -
INTERPRET PER ANSI Y14.5		DRAWING NO. C-423-0124-000 REV B
CODE IDENT 31413	SIZE B	SCALE 2/1 SHEET 1 OF 1