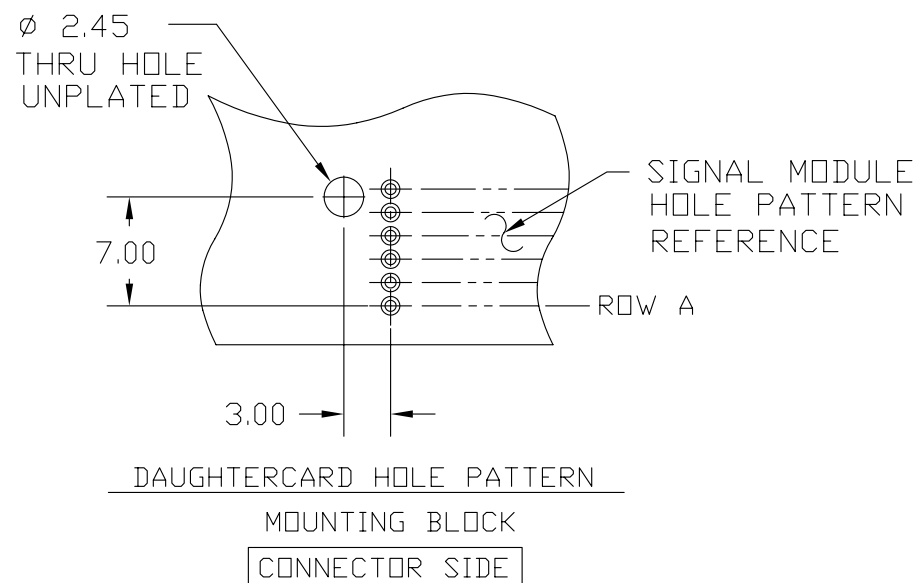
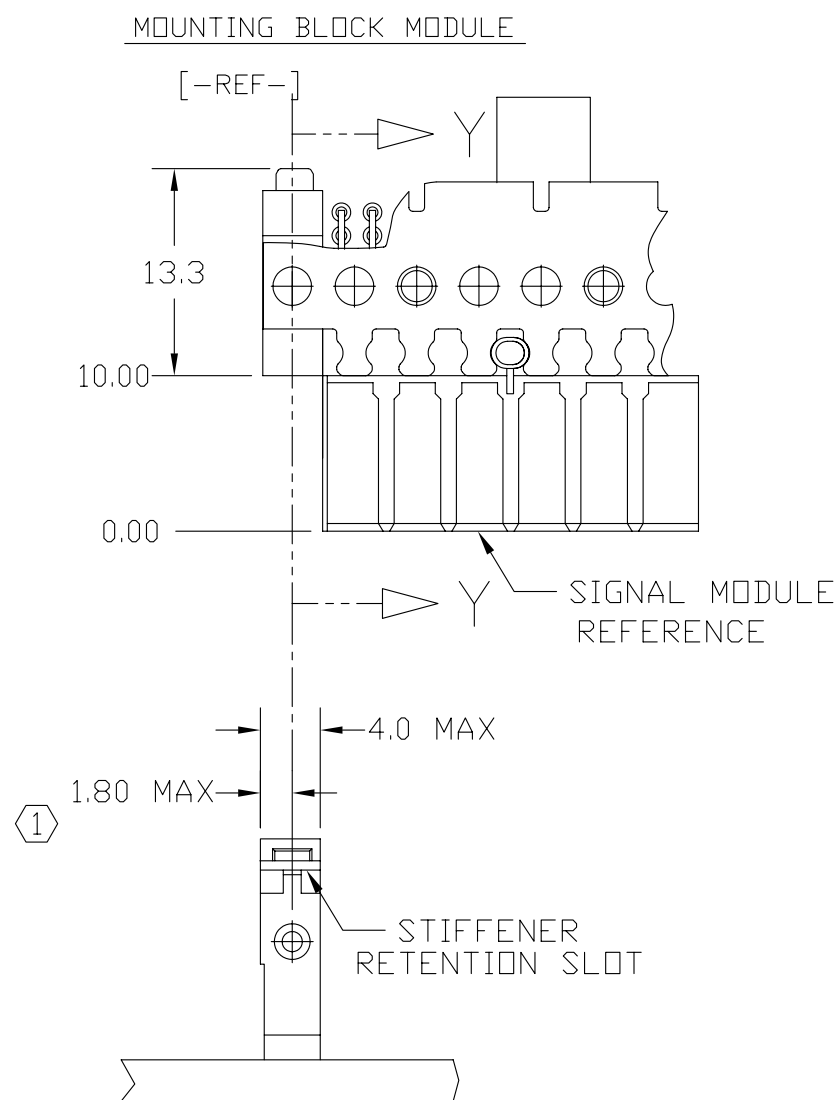
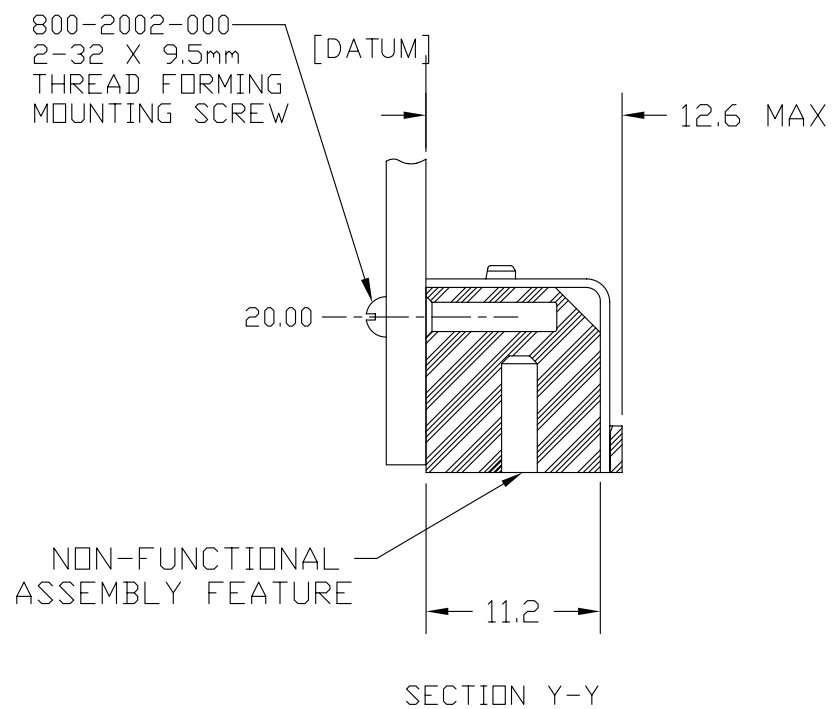


REV	SCR NO.	DESCRIPTION	BY	DATE	APPROVED
-	18848	NEW RELEASE	FR	3/15/96	G.GRASSETT
A	22563	RELEASED INTO CMS	DLS	10/6/97	L.McMAHON
B	MLEE6K3KQZ.VER02	REPLACED DRAWING FORMAT	ML	01/18/05	C.SAMMIS



4. DIMENSIONS AND TOLERANCES SUBJECT TO CHANGE WITHOUT NOTICE.
3. DIMENSIONS AND TOLERANCES ARE IN mm AND INTENDED FOR LAYOUT AND INFORMATION PURPOSES ONLY.
2. FOR MATERIALS, FINISHES AND PART NUMBERING REFERENCE HDM PRODUCT SPECIFICATION TB2012.

NOTES: ① USE 2.00 mm NOMINAL FOR DAUGHTERCARD LAYOUT.

TOLERANCES		DWN 2/22/96 F.ROTONDO	<b>Amphenol TCS</b> A Division of Amphenol Corporation 44 Simon Street, Nashua, NH 03060 (603) 879-3000
.00	± 0.25	CHK	
.000	± 0.13	PROVENCHER	
.0000	± -	APVD 3/15/96 G.GRASSETT	
ANGLES	± -		TITLE DAUGHTERCARD MOUNTING BLOCK MODULE ASSEMBLY HDM & HDM+ CONNECTOR
CUSTOMER USE DRAWING			PART NO. 423-0125-000
 INTERPRET PER ANSI Y14.5			DRAWING NO. C-423-0125-000
CODE IDENT 31413	SIZE B	SCALE 2/1	SHEET 1 OF 1

DWG NO. C-423-0125-000 SH 1 REV B