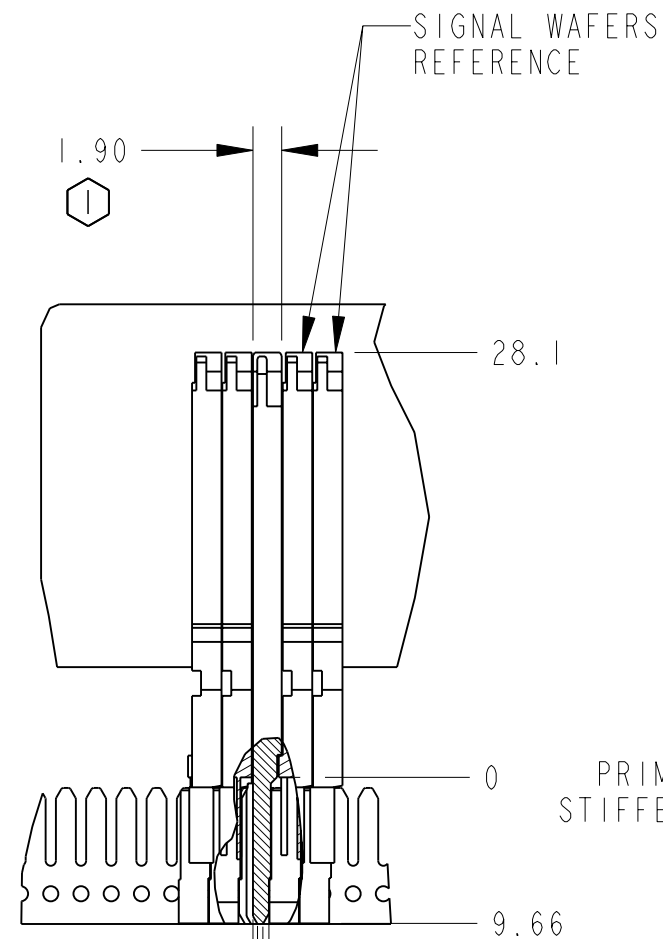


DRW NO. C-423-0112-500 SH 1 REV 01

| ZONE | REV | SCR NO. | DESCRIPTION      | BY  | DATE     | APPROVED |
|------|-----|---------|------------------|-----|----------|----------|
|      | 01  |         | WAS DVO-5020-500 | JSG | 12/09/02 |          |



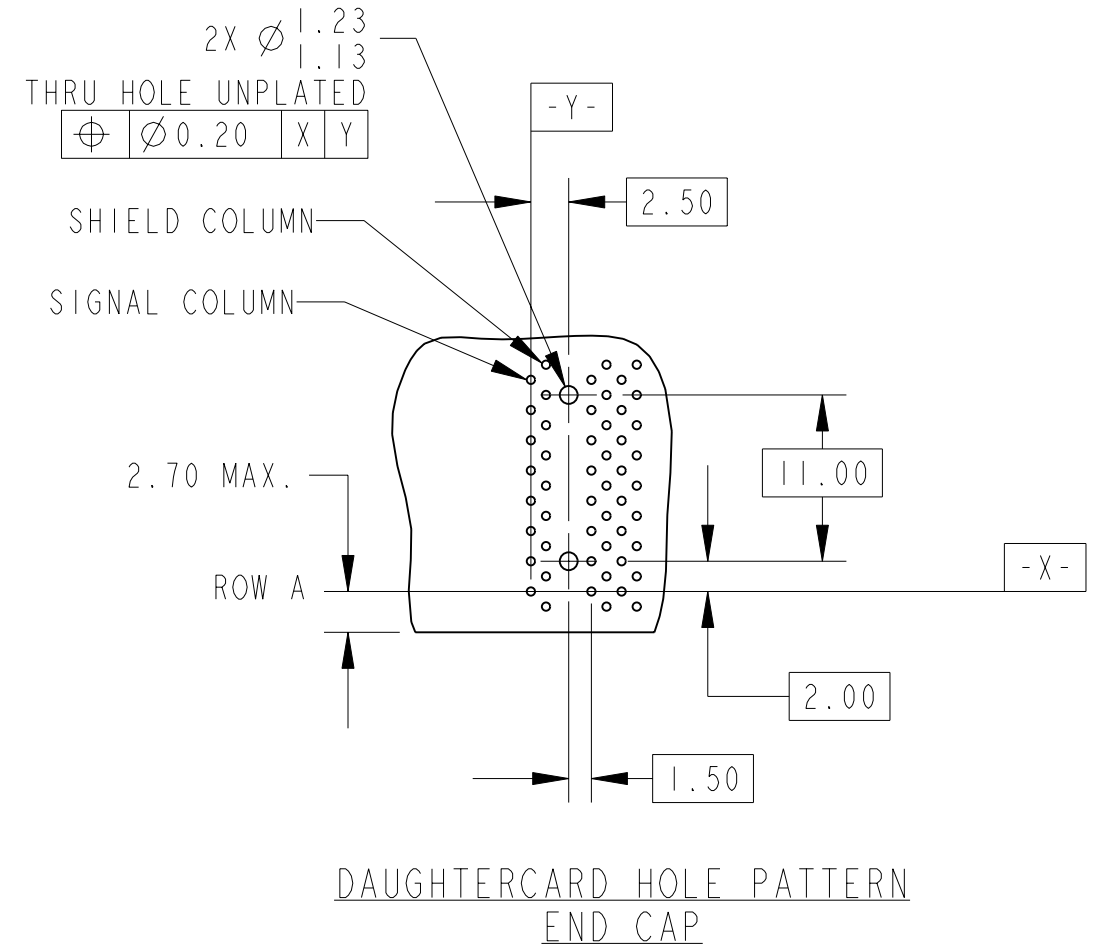
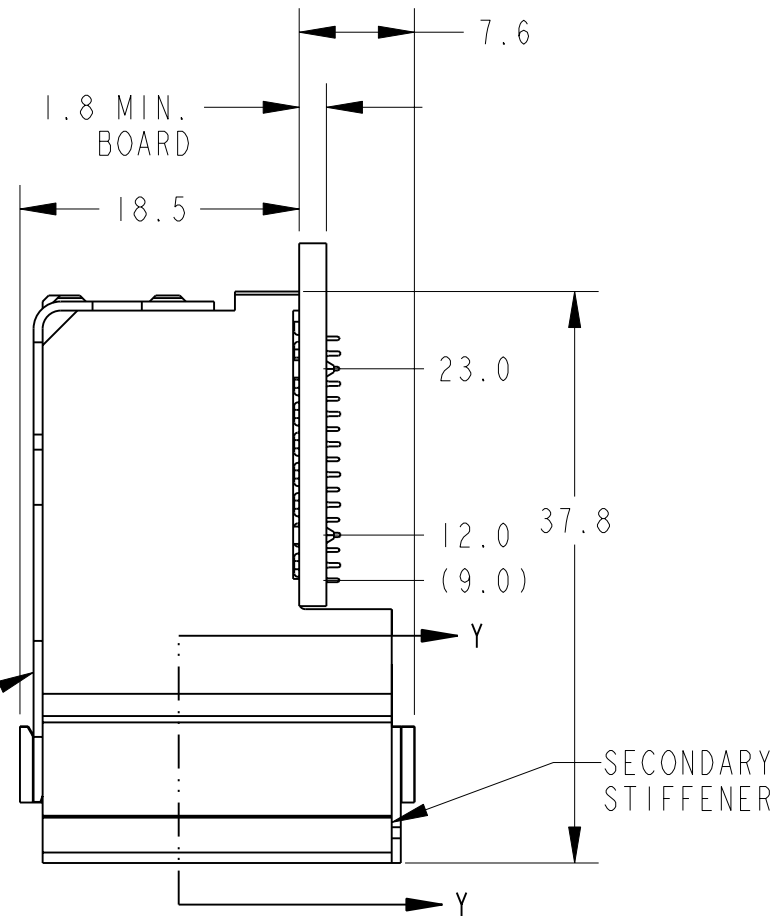
0.30 X 30° LEAD IN FOR ADJACENT WAFER

0.40 X 30° LEAD IN FOR ADJACENT WAFER

SECTION Y-Y

NOTES:

1. USE 2.0MM NOMINAL FOR DAUGHTERCARD LAYOUT.



| TOLERANCES |       | DESIGN 11/14/02<br>J. GIROUX |
|------------|-------|------------------------------|
| 0,0        | ±0,25 | DRAWN 11/14/02<br>J. GIROUX  |
| 0,00       | ±0,13 | CHK 12/7/02<br>D. PROVENCHER |
| 0,000      | ± -   | APVD XX/XX/XX<br>TBA         |
| ANGLES     | ± -   |                              |

**TERADYNE**  
TERADYNE CONNECTION SYSTEMS, INC.  
44 SIMON STREET, NASHUA, N.H. 03060 (603) 879-3000

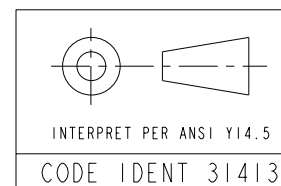
TITLE  
END CAP  
VHDM 8 ROW RAM

PART NO. 423-0112-060 REV

DRAWING NO. C-423-0112-500 REV 01

ProcASSEM P1055-CU-9C-END\_CAP  
P1055-CU-9C-END\_CAP .dwg 1.4  
1.4+

SIZE B SCALE 2.000 SHEET 1 OF 1



CUSTOMER USE  
DRAWING

DRW NO. C-423-0112-500

SH 1  
REV 01