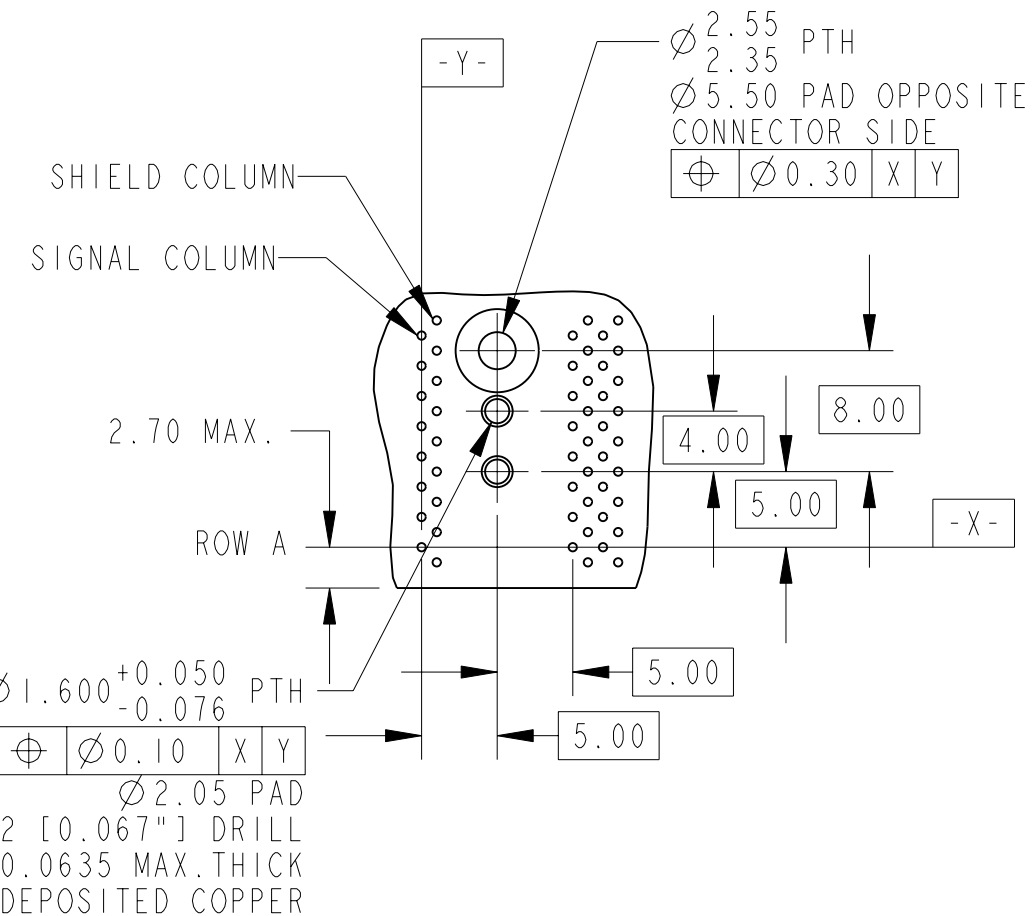
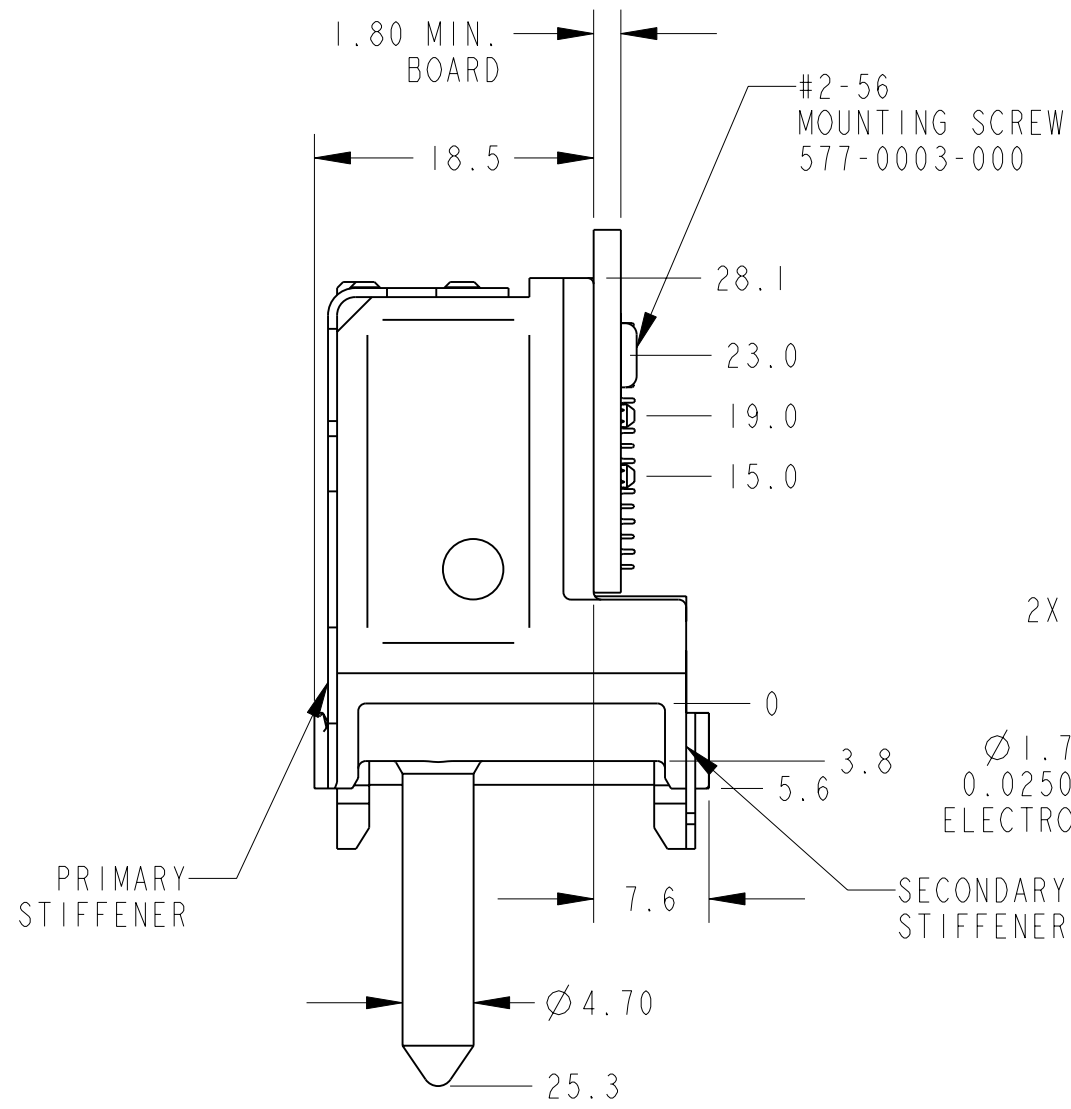
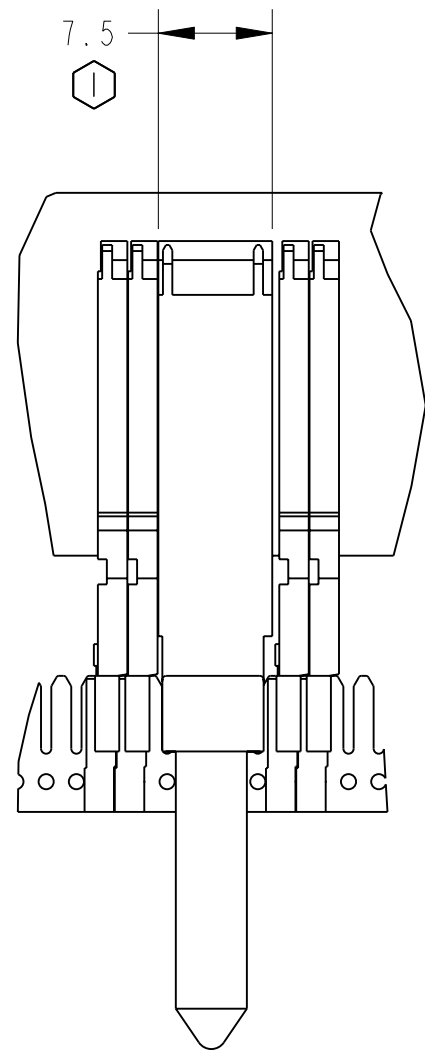


DRW NO. C-438-0089-500 SH 1 REV 01

ZONE	REV	SCR NO.	DESCRIPTION	BY	DATE	APPROVED
	01		WAS DVO-5018-500	JSG	12/09/02	

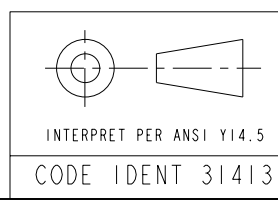


NOTES:  
 1. USE 8.0MM NOMINAL FOR DAUGHTERCARD LAYOUT.  
 2. MATES WITH C-438-5090-000 .

2X Ø1.600<sup>+0.050</sup><sub>-0.076</sub> PTH  
 Ø0.10 X Y  
 Ø2.05 PAD  
 Ø1.702 [0.067"] DRILL  
 0.0250/0.0635 MAX. THICK  
 ELECTRO-DEPOSITED COPPER

TOLERANCES		DESIGN 11/14/02 J. GIROUX
0,0	±0,25	DRAWN 11/14/02 J. GIROUX
0,00	±0,13	CHK 11/27/02 D. PROVENCHER
0,000	± -	APVD XX/XX/XX TBA
ANGLES	± -	

<b>TERADYNE</b>	
TERADYNE CONNECTION SYSTEMS, INC. 44 SIMON STREET, NASHUA, N.H. 03060 (603) 879-3000	
TITLE GUIDE, ESD VHDM 8 ROW RAM	
PART NO. 438-0089-540	REV
DRAWING NO. C-438-0089-500	REV 01
ProcASSEM P1055-CU-9C-RAM-GUIDE_ESD P1055-CU-9C-RAM-GUIDE_ESD .dwg	
1.4	1.5+
SIZE B	SCALE 2.000
SHEET 1 OF 1	



CUSTOMER USE  
DRAWING

DRW NO. C-438-0089-500

SH 1  
REV 01