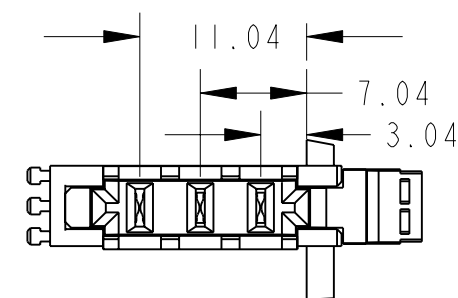
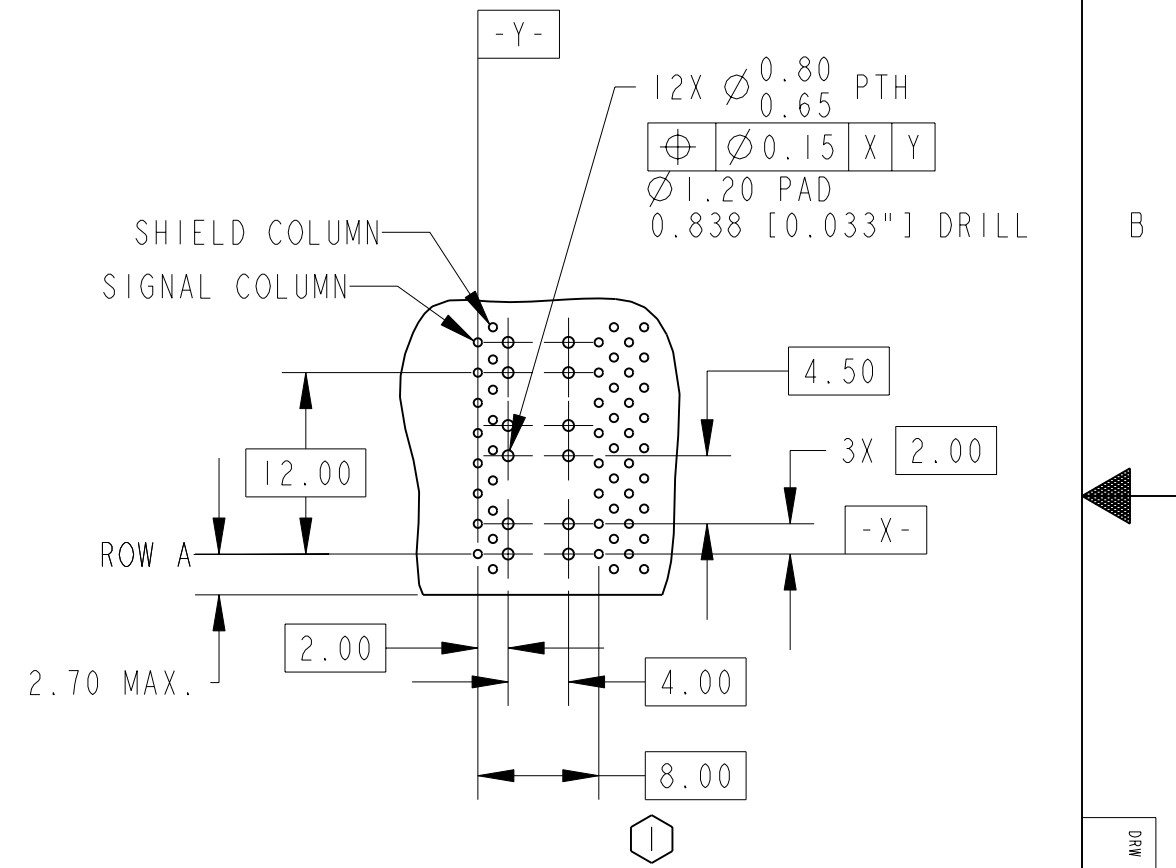
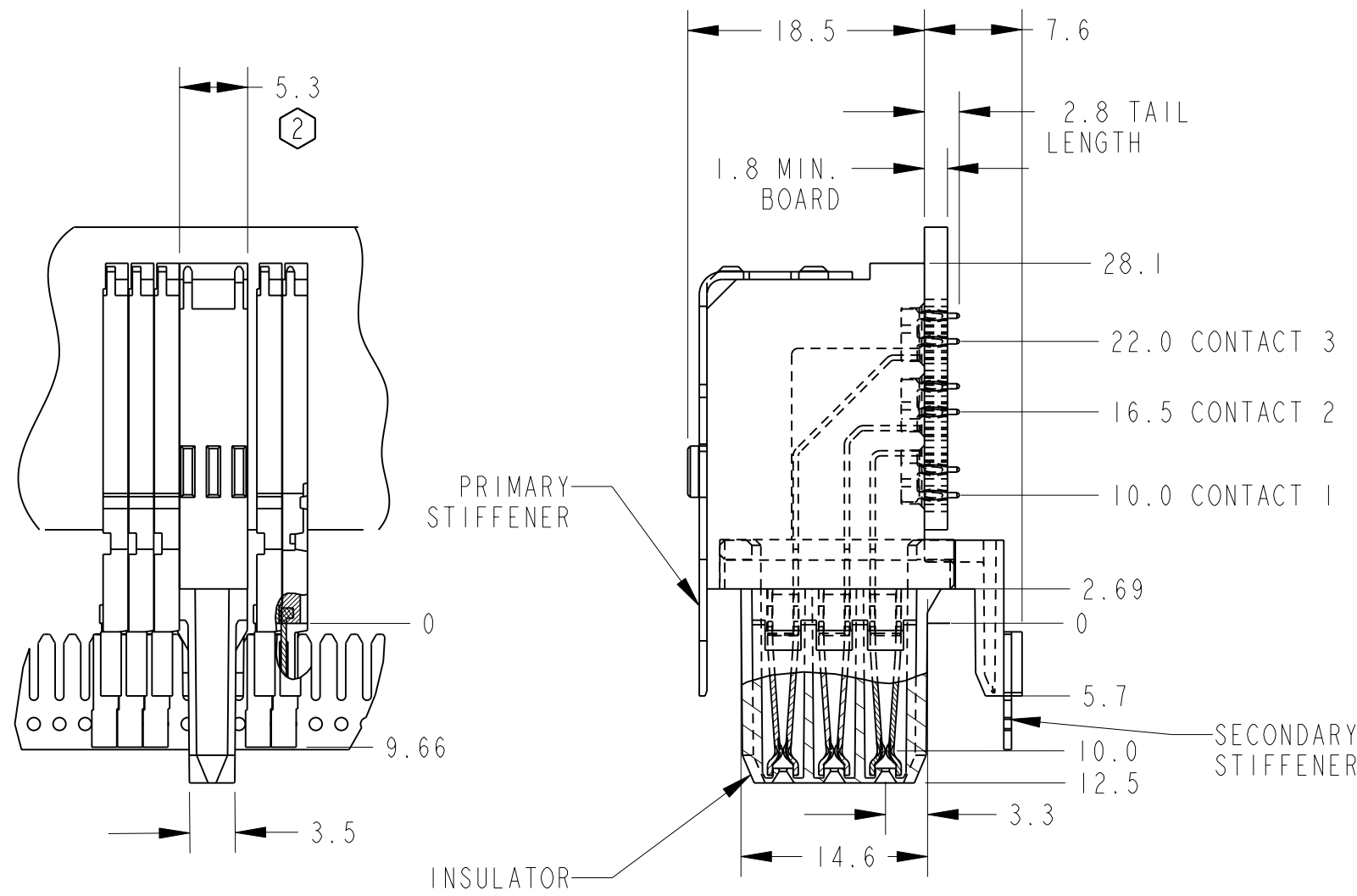


4

3

DRW NO.	C-437-5850-500	SH	1	REV	01
---------	----------------	----	---	-----	----

ZONE	REV	SCR NO.	DESCRIPTION	BY	DATE	APPROVED
	01		WAS DVO-5096-500	JSG	12/11/02	



NOTES:

- 1. FOR EACH ADDITIONAL POWER MODULE ADD 6.0 MM.
- 2. USE 6 MM NOMINAL FOR DAUGHTERCARD LAYOUT.

TOLERANCES	DESIGN 11/14/02 J. GIROUX
0,0 ±0,25	DRAWN 11/14/02 J. GIROUX
0,00 ±0,13	CHK 12/03/02 D. PROVENCHER
0,000 ± -	APVD XX/XX/XX
ANGLES ± -	TBA

<b>TERADYNE</b>	
TERADYNE CONNECTION SYSTEMS, INC. 44 SIMON STREET, NASHUA, N.H. 03060 (603) 879-3000	
TITLE POWER MODULE VHDM 8 ROW RAM	
PART NO. 437-5850-000	REV
DRAWING NO. C-437-5850-500	REV 01
ProcASSEM P1055-CU-9C-PWR-ASSY P1055-CU-9C-PWR-ASSY .dwg	
SIZE B	SCALE 2.000
SHEET 1 OF 1	

INTERPRET PER ANSI Y14.5  
 CODE IDENT 31413

CUSTOMER USE  
DRAWING

DRAW NO. C-437-5850-500

SH 1 REV 01

4

3

2

1