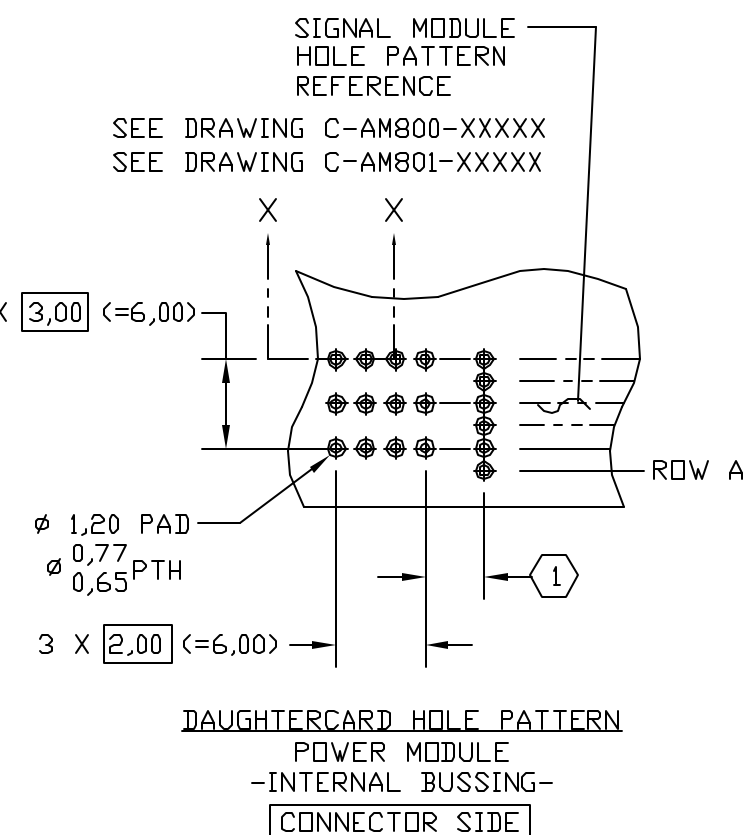
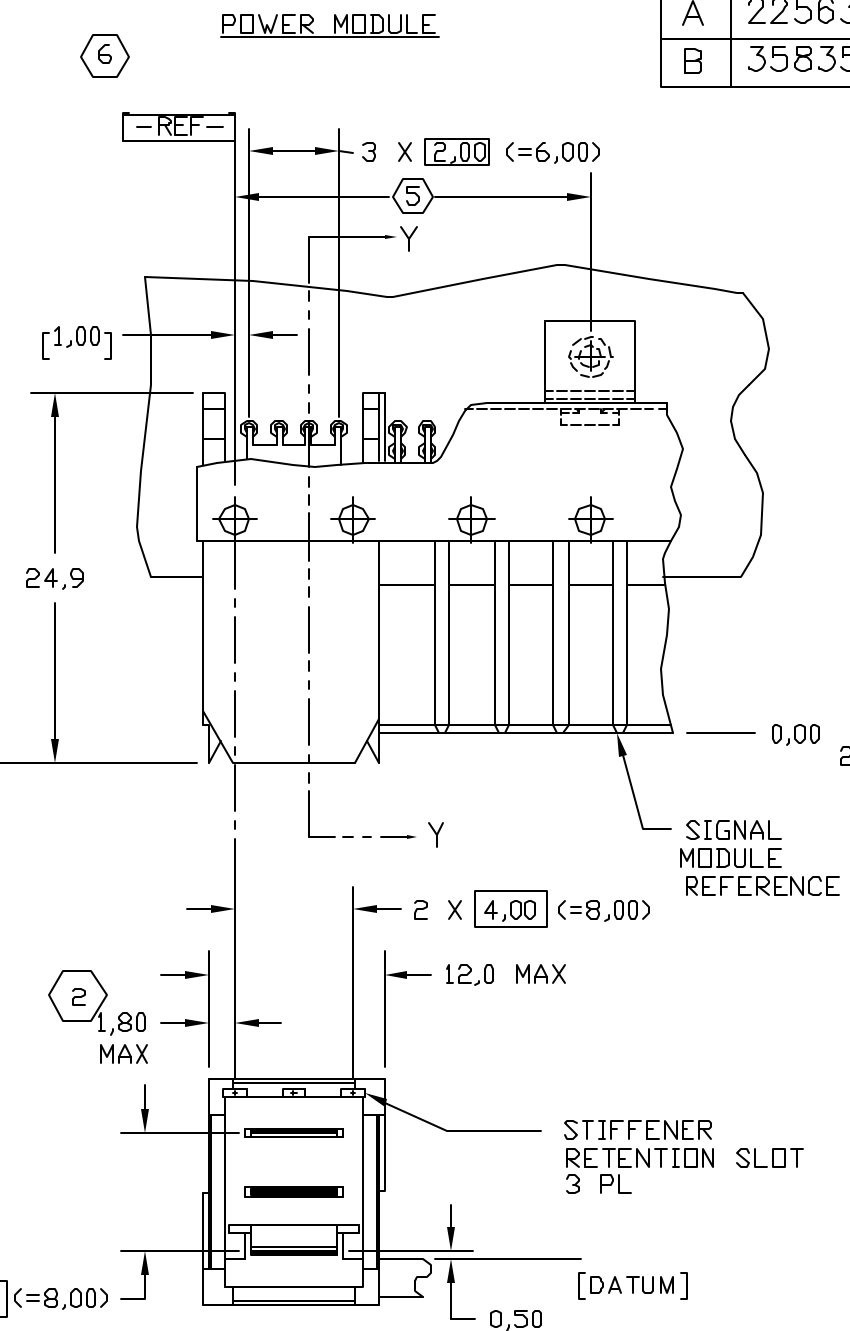
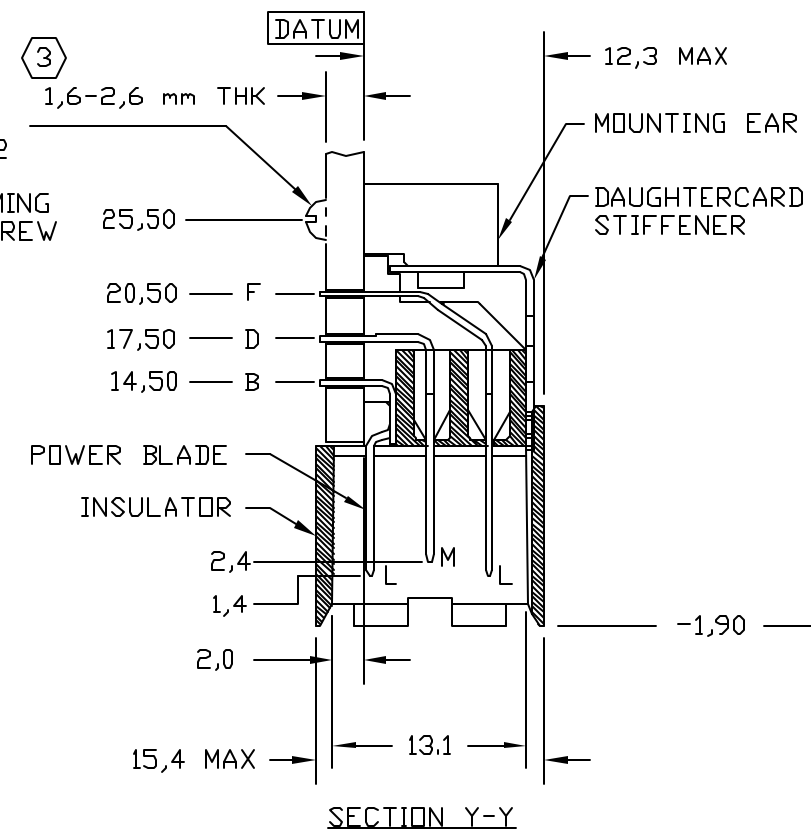


REV	SCR NO.	DESCRIPTION	BY	DATE	APPROVED
-	13963	NEW RELEASE	JV	9/29/93	B.HOWARD
A	22563	RELEASED TO CMS	DL\$	10/15/97	L.McMAHON
B	35835	CORRECTED DRAFTING ERROR	SG	7/13/01	D.SMITH

PART NUMBER	REV
437-5023-300	-

800-2811-000
M2.2 OR 2-32
X 7.6 mm
THREAD FORMING
MOUNTING SCREW



8. DIMENSIONS AND TOLERANCES ARE IN mm AND INTENDED FOR LAYOUT AND INFORMATION PURPOSES ONLY.
 7. FOR MATERIALS, FINISHES, PART NUMBERING AND ORDERING INFORMATION SEE DRAWING C-AM800-XXXX.
 ⑥ DATUM [-REF-] CORRESPONDS TO DAUGHTERCARD ASSEMBLY DRAWING C-AM800-XXXXX SHEET #5 AND C-AM801-XXXXX SHEET #5.
 ⑤ PLACE MOUNTING EAR ON DATUM [-REF-] OR MULTIPLES OF 8 mm.
 4. DIMENSIONS AND TOLERANCES SUBJECT TO CHANGE WITHOUT NOTICE.
 ③ CONSULT FACTORY ON SUBASSEMBLY P/N AVAILABILITY FOR DAUGHTERCARD THICKNESS UP TO 4,6 mm.
 ② USE 2,0 mm NOMINAL FOR DAUGHTERCARD LAYOUT.
 NOTES: ① THIS DIMENSION MUST BE A MULTIPLE OF 4,00 mm.

TOLERANCES	DWN 9/29/93 J.VARHEGY	<p>TERADYNE CONNECTION SYSTEMS, INC. 44 SIMON STREET NASHUA, N.H. 03060 (803) 879-3000</p>
.00 ± 0.25	CHK 9/29/93 M.WIDMAYER	
.000 ± 0.13	APVD 12/7/93 B.HOWARD	
.0000 ± -		
ANGLES ± -		TITLE DAUGHTERCARD POWER MODULE ASSY, HDM CONNECTOR
UNLESS OTHERWISE SPECIFIED DIMENSIONS ARE IN INCHES		PART NO. SEE TABLE
CUSTOMER USE DRAWING		REV -
<p>INTERPRET PER ANSI Y14.5</p>		DRAWING NO. C-437-5023-000
CODE IDENT 31413		REV B
SIZE B	SCALE 2/1	SHEET 1 OF 1

DWG NO. C-437-5023-000 SH 1 REV B