

4

3

DRW NO.	SH	REV
C-437-5063-500	I	D

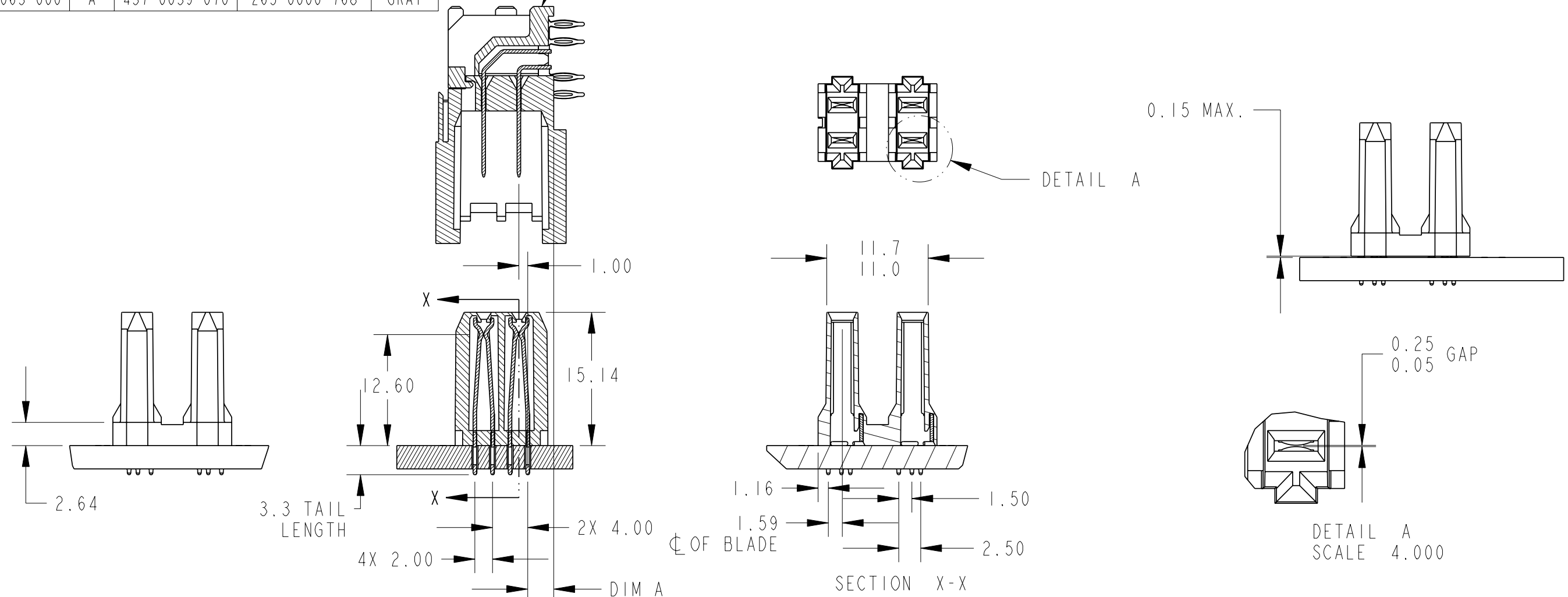
TABLE II				
PART NUMBER	REV	INSULATOR	CONTACT NUMBER	COLOR
437-5064-000	A	437-0039-060	265-0000-735	BLACK
437-5063-000	A	437-0039-070	265-0000-732	GRAY
437-6064-000	A	437-0039-060	265-0000-769	BLACK
437-6063-000	A	437-0039-070	265-0000-768	GRAY

ZONE	REV	SCR NO.	DESCRIPTION	BY	DATE	APPROVED
-	-	41265	NEW RELEASE	JSG	2/26/03	K. TABER
A	A	42393	CHG 11.54 TO 11.7/11.0	M.L.	6/16/03	K. TABER
B	B	MFID-69NKA4.VER01	MODIFIED GAP TOLERANCE	SG	2/18/05	K. LELBANC
C	C	DMAG-6BNMTN.VER01	ADDED LEAD FREE PLATING OPTION	GKR	5/05/05	S. BAIR
D	D	MLEE-6KHPPP.VER01	REPLACED DRAWING FORMAT	M.LEE	1/24/06	C. SAMMIS

6 ROW DAUGHTERCARD
POWER CONNECTOR
REFERENCE

B

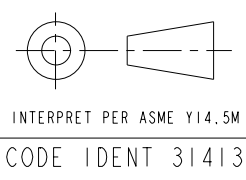
B



NOTES:

- ① FOR EACH ADDITIONAL POWER MODULE ADD 14.00MM.
- ② FOR HASL FINISH SEE TERADYNE TECHNICAL BULLETIN, TB2040, SOLDER SAG ALLOWANCE OPPOSITE CONNECTOR SIDE.
- ③ KEEP OUT ZONE FOR SURFACE TRACES.
- 4. PART MARKING AS FOLLOWS:
LINE 1: DATE CODE (YYWW)
LINE 2-3: WORK ORDER NUMBER (*#####),
WHERE (*) DENOTES MANUFACTURING LOCATION.

TABLE I	
DESCRIPTION	DIM A
6 ROW VHDM	2.96
6 ROW VHDM-HSD	2.96
5 ROW VHDM-HSD	0



TOLERANCES		DESIGN 2/7/03 J. GIROUX
0.0	±0.25	DRAWN 2/7/03 J. GIROUX
0.00	±0.13	
0.000	± -	CHK 2/10/03 N. BACON
ANGLES	± -	APVD 2/26/03 N. BACON

UNLESS OTHERWISE SPECIFIED DIMENSIONS ARE IN MM, DECIMAL MAKER IS PERIOD

CUSTOMER USE
DRAWING

Amphenol TCS A Division of Amphenol Corporation 44 Simon Street, Nashua, NH, 03060 603.879.3000	
TITLE DOUBLE POWER MODULE 8MM ASSY 6 ROW VHDM	
PART NO. SEE TABLE II	REV A
DRAWING NO. C-437-5063-500	REV D
ProcASSEM P1007-CU-437-5063-500-5HSD P1007-CU-437-0063-500 .dwg	1.5 1.19
SIZE B	SHEET 1 OF 3

DRAW NO.
C-437-5063-500

SH
I
REV
D

4

3

2

1

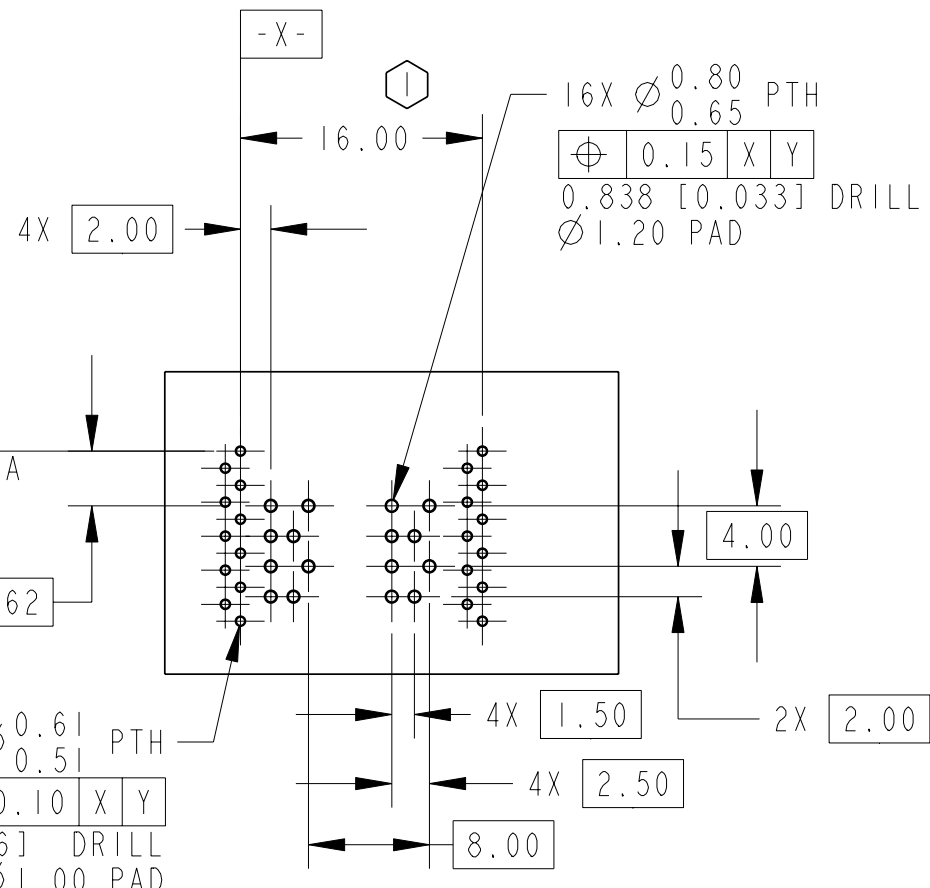
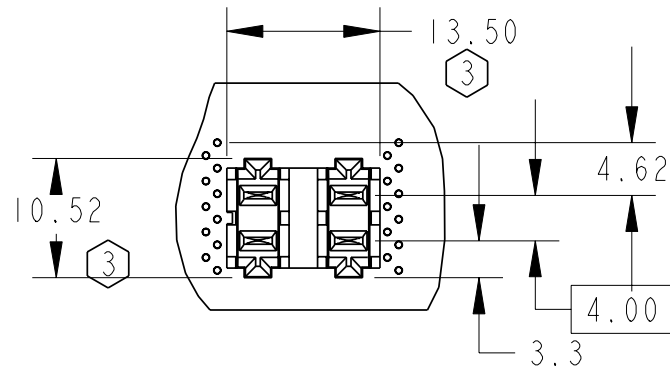
4

3

DRW NO.	SH	REV
C-437-5063-500	2	D

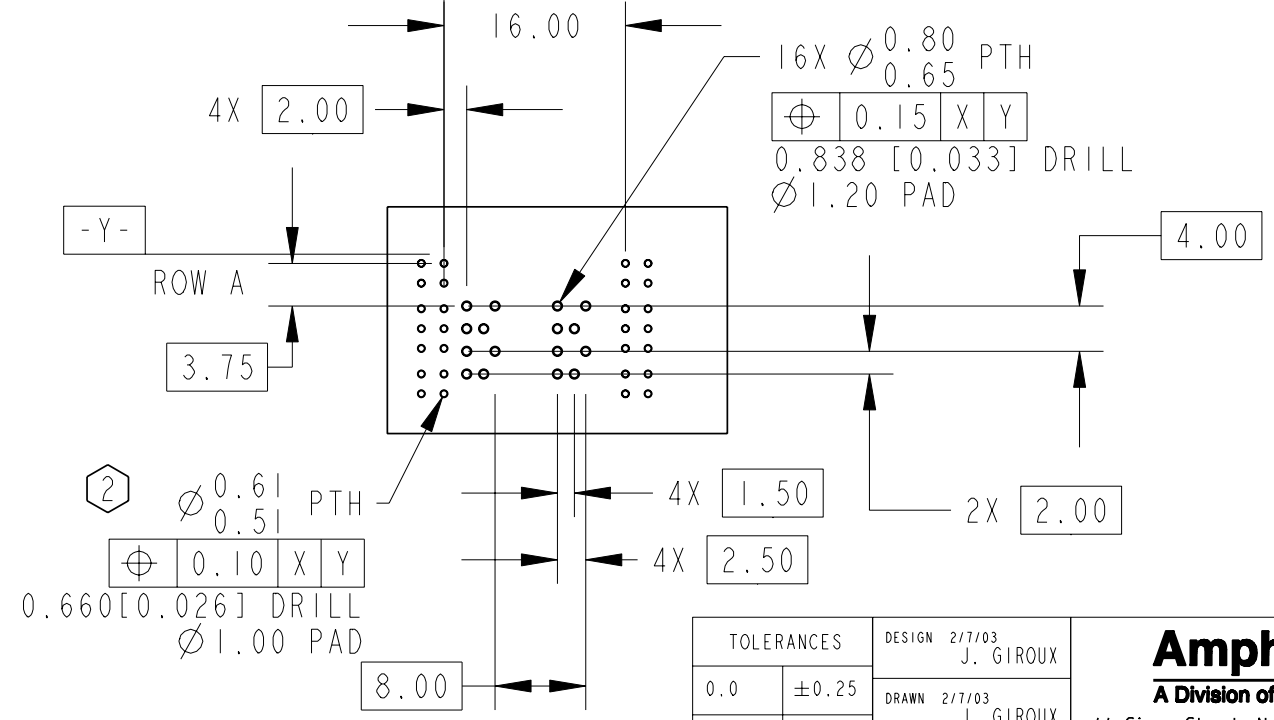
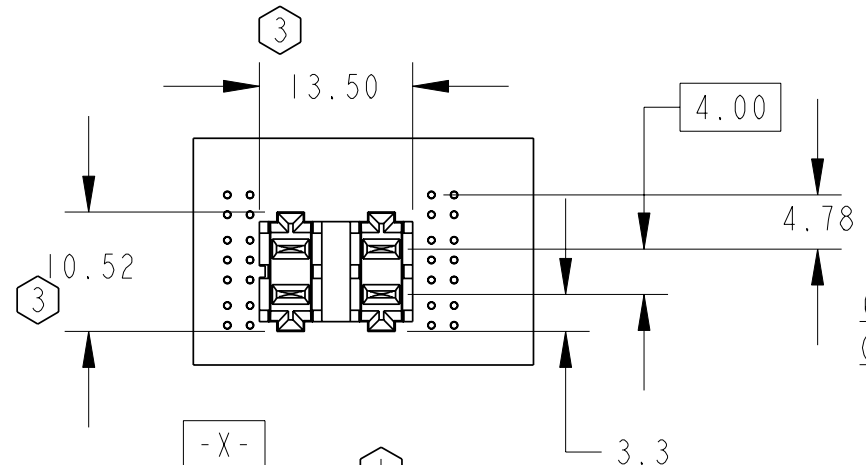
ZONE	REV	SCR NO.	DESCRIPTION	BY	DATE	APPROVED
			SEE SHEET 1			

6 ROW VHDM CONFIGURATION



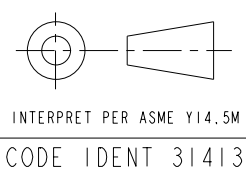
BACKPLANE HOLE PATTERN
POWER MODULE
CONNECTOR SIDE
6 ROW VHDM

Ø0.61 PTH
Ø0.51
Ø0.10 X Y
0.660 [0.026] DRILL
Ø1.00 PAD



BACKPLANE HOLE PATTERN
POWER MODULE
CONNECTOR SIDE
6 ROW VHDM-HSD

Ø0.61 PTH
Ø0.51
Ø0.10 X Y
0.660 [0.026] DRILL
Ø1.00 PAD



TOLERANCES		DESIGN
0.0	±0.25	2/7/03 J. GIROUX
0.00	±0.13	DRAWN 2/7/03 J. GIROUX
0.000	± -	CHK 2/10/03 N. BACON
ANGLES	± -	APVD 2/26/03 N. BACON

UNLESS OTHERWISE SPECIFIED DIMENSIONS ARE IN MM, DECIMAL MAKER IS PERIOD

CUSTOMER USE
DRAWING

6 ROW VHDM-HSD CONFIGURATION

DRW NO.
C-437-5063-500

SH 2
REV D

Amphenol TCS A Division of Amphenol Corporation 44 Simon Street, Nashua, NH, 03060 603.879.3000		TITLE
		DOUBLE POWER MODULE 8MM ASSY 6 ROW VHDM
PART NO.	SEE TABLE 11	REV A
DRAWING NO.	C-437-5063-500	REV D
ProcASSEM	P1007-CU-437-5063-500-5HSD P1007-CU-437-0063-500 .dwg	1.5 1.19
SIZE B	SCALE 1.000	SHEET 2 OF 3

4

3

2

1

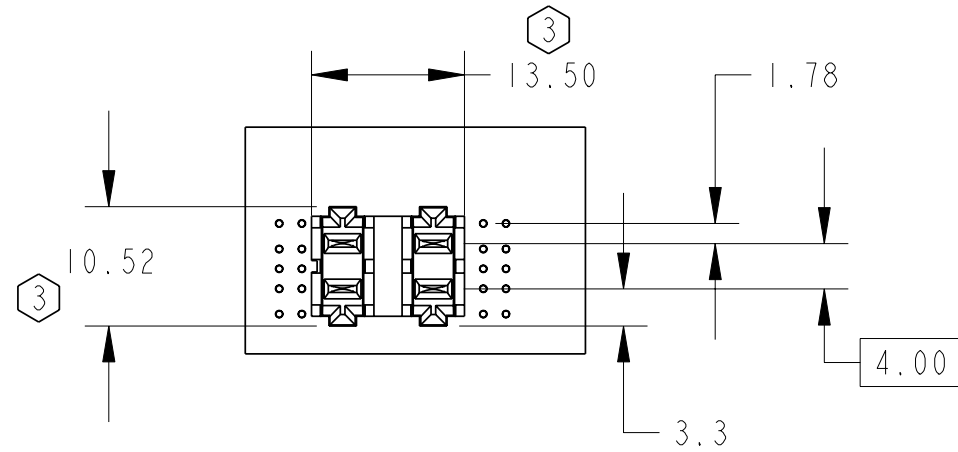
4

3

DRW NO.	SH	REV
C-437-5063-500	3	D

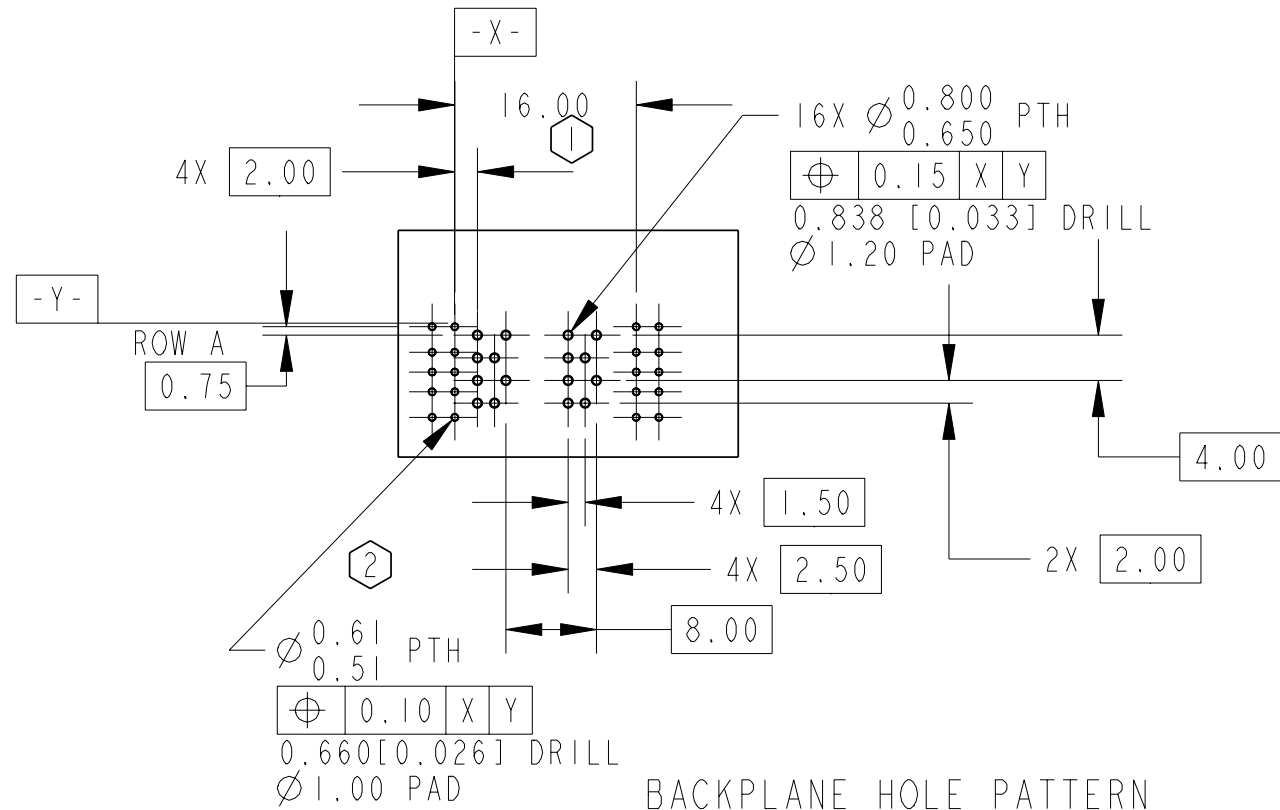
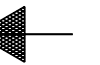
ZONE	REV	SCR NO.	DESCRIPTION	BY	DATE	APPROVED
			SEE SHEET 1			

5 ROW VHDM-HSD CONFIGURATION



B

B



BACKPLANE HOLE PATTERN POWER MODULE CONNECTOR SIDE 5 ROW VHDM-HSD

Ø 0.61 PTH
0.51
Ø 0.660 [0.026] DRILL
Ø 1.00 PAD

16X Ø 0.800 PTH
0.650
Ø 0.15 X Y
0.838 [0.033] DRILL
Ø 1.20 PAD

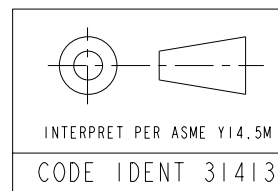
A

DRW NO. C-437-5063-500

SH 3

REV D

TOLERANCES		DESIGN 2/7/03 J. GIROUX	Amphenol TCS A Division of Amphenol Corporation 44 Simon Street, Nashua, NH. 03060 603.879.3000		
0.0	±0.25	DRAWN 2/7/03 J. GIROUX	TITLE DOUBLE POWER MODULE 8MM ASSY 6 ROW VHDM		
0.00	±0.13	CHK 2/10/03 N. BACON			
0.000	± -	APVD 2/26/03 N. BACON			
ANGLES	± -				
UNLESS OTHERWISE SPECIFIED DIMENSIONS ARE IN MM, DECIMAL MAKER IS PERIOD			PART NO. SEE TABLE 11	REV A	
CUSTOMER USE DRAWING			DRAWING NO. C-437-5063-500	REV D	
			ProcASSEM P1007-CU-437-5063-500-5HSD P1007-CU-437-0063-500 .dwg		1.5 1.19
			SIZE B	SCALE 1.500	SHEET 3 OF 3



4

3

2

1

