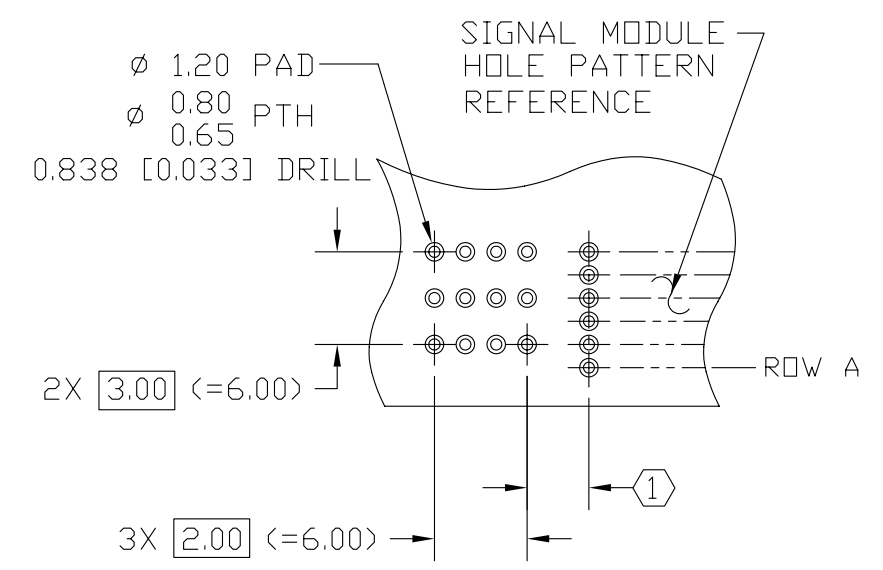
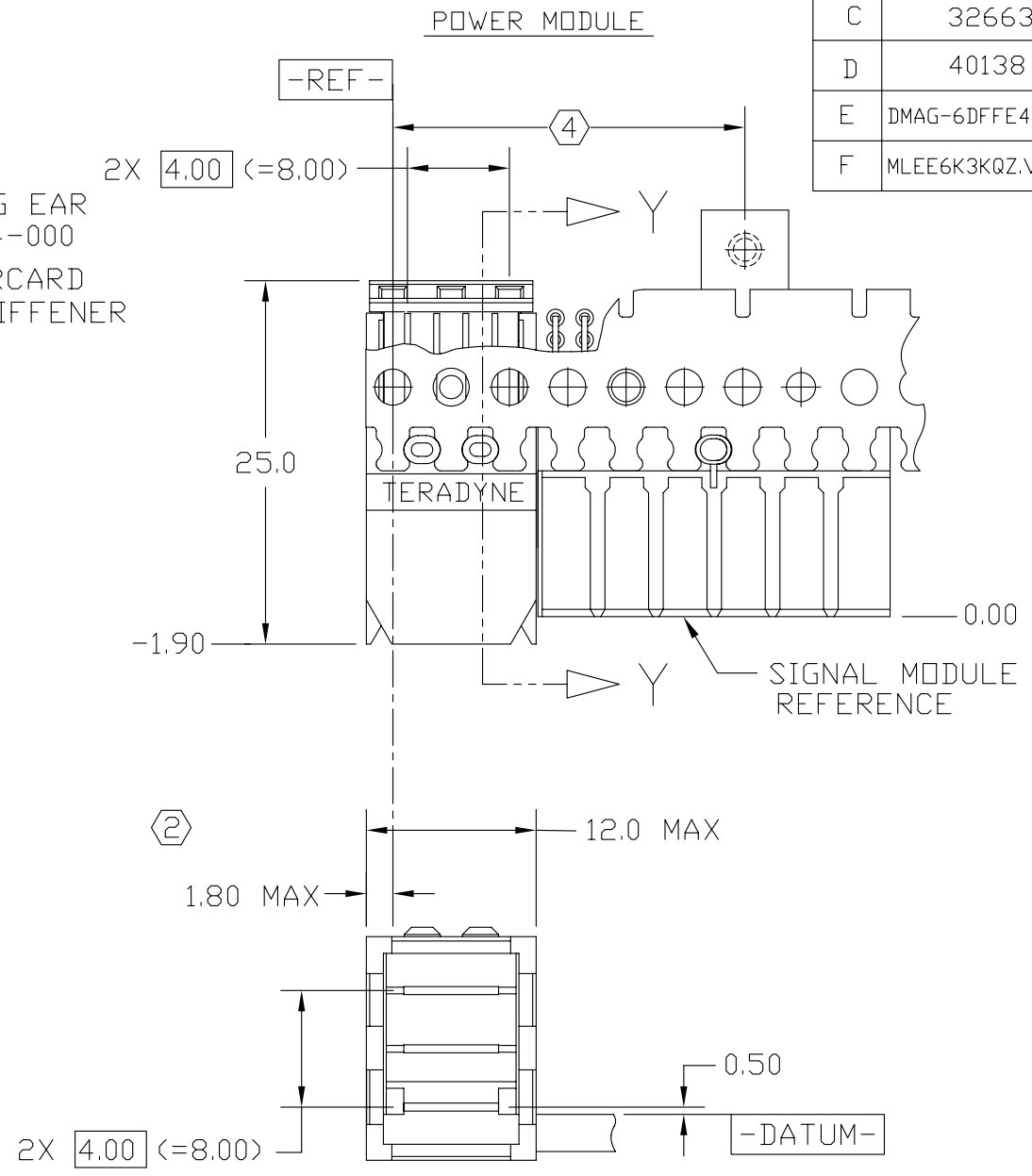
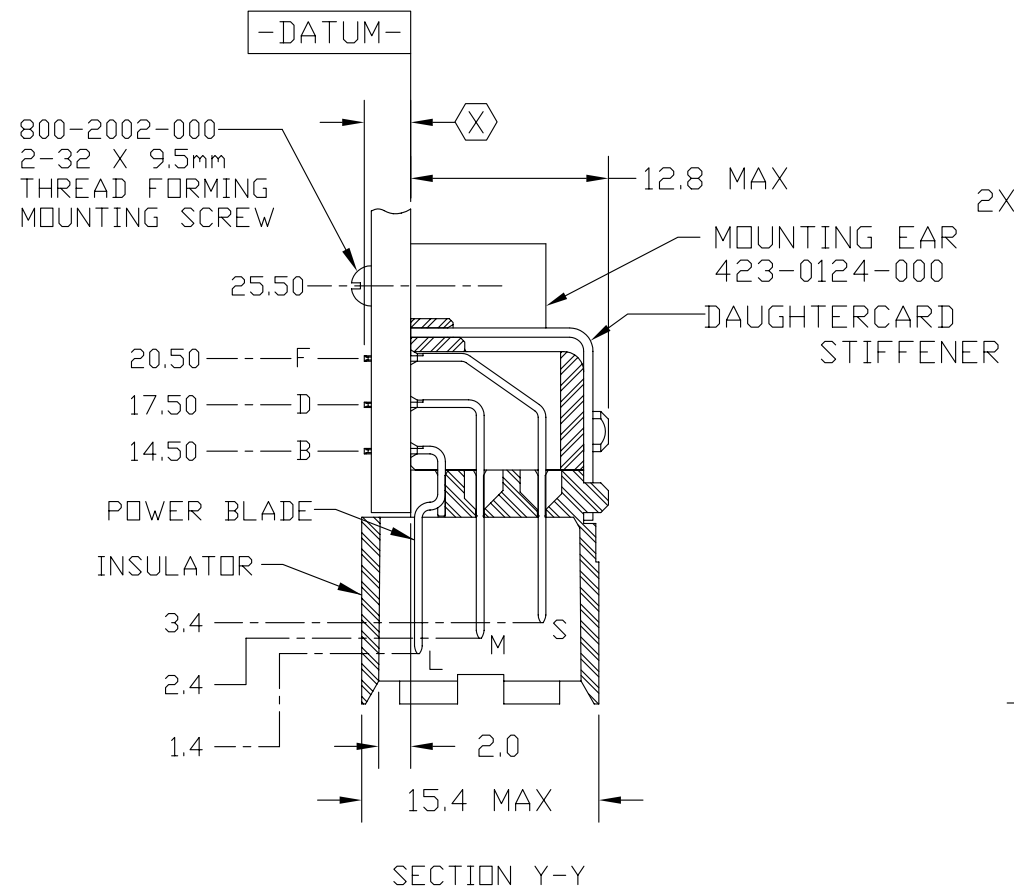


REV	SCR NO.	DESCRIPTION	BY	DATE	APPROVED
-	18848	NEW RELEASE	FR	02/24/96	
A	21352	ADDED 437-5129-XXX	R.C.	05/01/97	D.SMITH
B	22563	RELEASED INTO CMS	DLS	10/15/97	L.McMAHON
C	32663	ADDED 5135, WAS C-437-5120-000	RV	11/10/00	D.DYER
D	40138	ADDED P/N'S TO TABLE I SEE SCR	SG	10/04/02	MUZZEY
E	DMAG-6DFFE4.VER01	ADDED LEAD FREE OPTION	ED	6/17/05	S.BAIR
F	MLEE6K3KQZ.VER02	REPLACED DRAWING FORMAT	ML	01/18/05	C.SAMMIS



DAUGHTERCARD HOLE PATTERN
POWER MODULE
-INTERNAL BUSSING-
CONNECTOR SIDE

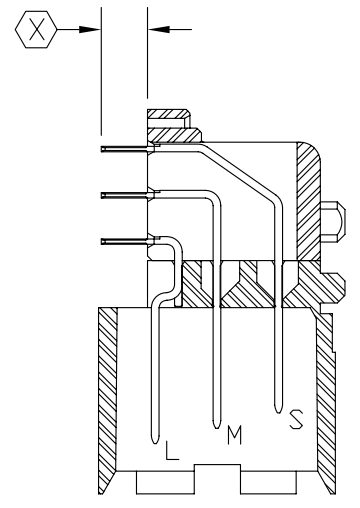
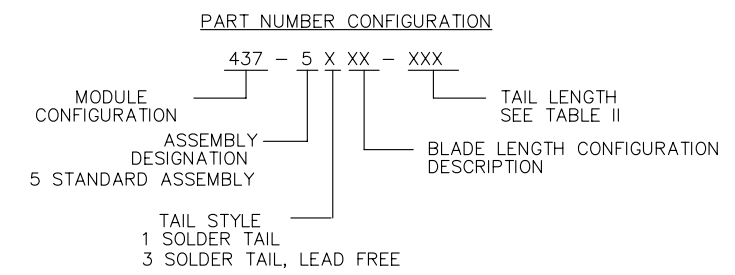
- 6. DIMENSIONS AND TOLERANCES ARE IN MILLIMETERS AND INTENDED FOR LAYOUT AND INFORMATION PURPOSES ONLY.
- 5. FOR MATERIALS, FINISHES, AND PART NUMBERING REFERENCE HDM PRODUCT SPECIFICATION TB2012.
- ④ PLACE MOUNTING EAR ON DATUM [-REF-] OR MULTIPLES OF 4mm.
- 3. DIMENSIONS AND TOLERANCES SUBJECT TO CHANGE WITHOUT NOTICE.
- ② USE 2.0mm NOMINAL FOR DAUGHTERCARD LAYOUT.
- NOTES: ① THIS DIMENSION MUST BE A MULTIPLE OF 4.00mm.

TOLERANCES		DWN 02/24/96 F.ROTONDO	Amphenol TCS <small>A Division of Amphenol Corporation 44 Simon Street, Nashua, NH, 03060 (603) 879-3000</small>
0,0	± 0.25	CHK	
0,00	± 0.13	D.PROVENCHER	
0,000	± -	APVD 5/2/97	
ANGLES ± -		D.SMITH	TITLE DAUGHTERCARD POWER MODULE ASSEMBLY HDM CONNECTOR
UNLESS OTHERWISE SPECIFIED DIMENSIONS ARE IN MILLIMETERS			PART NO. SEE TABLE I
CUSTOMER USE DRAWING			DRAWING NO. C-437-5120-500
 INTERPRET PER ANSI Y14.5			REV F
CODE IDENT 31413	SIZE B	SCALE 2/1	SHEET 1 OF 2

DWG NO. C-437-5120-500 SH 1 REV F

REV	SCR NO.	DESCRIPTION	BY	DATE	APPROVED
		SEE SHEET 1			

PART NUMBER (X)	P/N REV	TYPE
437-5X18-XXX	-	LLS
437-5X19-XXX	-	LMS
437-5X20-XXX	-	LSS
437-5X22-XXX	-	SLS
437-5X23-XXX	-	LML
437-5X24-XXX	-	MML
437-5X25-XXX	-	MLM
437-5X26-XXX	-	LLL
437-5X27-XXX	-	MMM
437-5X28-XXX	-	SSS
437-5X29-XXX	-	LLM
437-5X30-XXX	-	SMS
437-5X31-XXX	-	LMM
437-5X32-XXX	-	MSS
437-5X33-XXX	-	SSM
437-5X34-XXX	-	LS-
437-5X35-XXX	-	LS-
437-5X36-XXX	-	MMS



437-5119-XXX (X)
TYPE LMS

XXX	TAIL LENGTH
200	2.00 ± 0.25
220	2.20 ± 0.25
250	2.50 ± 0.25
275	2.75 ± 0.25
300	3.00 ± 0.25
350	3.50 ± 0.25
400	4.00 ± 0.25
450	4.50 ± 0.25

TOLERANCES	DWN 02/24/96 F.ROTONDO	Amphenol TCS A Division of Amphenol Corporation 44 Simon Street, Nashua, NH 03060 (603) 879-3000
0,0 ± -	CHK	
0,00 ± -	D.PROVENCHER	
0,000 ± -	APVD 5/2/97 D.SMITH	
ANGLES ± -		TITLE DAUGHTERCARD POWER MODULE ASSEMBLY HDM CONNECTOR
UNLESS OTHERWISE SPECIFIED DIMENSIONS ARE IN MILLIMETERS		
CUSTOMER USE DRAWING	PART NO. SEE TABLE I	REV
 INTERPRET PER ANSI Y14.5	DRAWING NO. C-437-5120-500	REV F
CODE IDENT 31413	SIZE B	SCALE 2/1 SHEET 2 OF 2

DWG NO. C-437-5120-500 SH 2 REV F