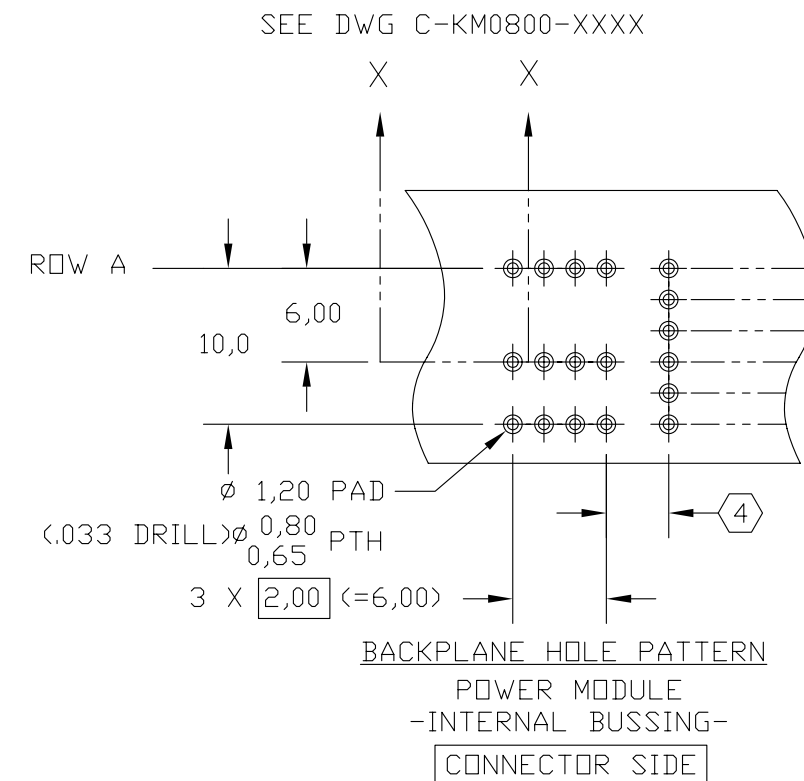
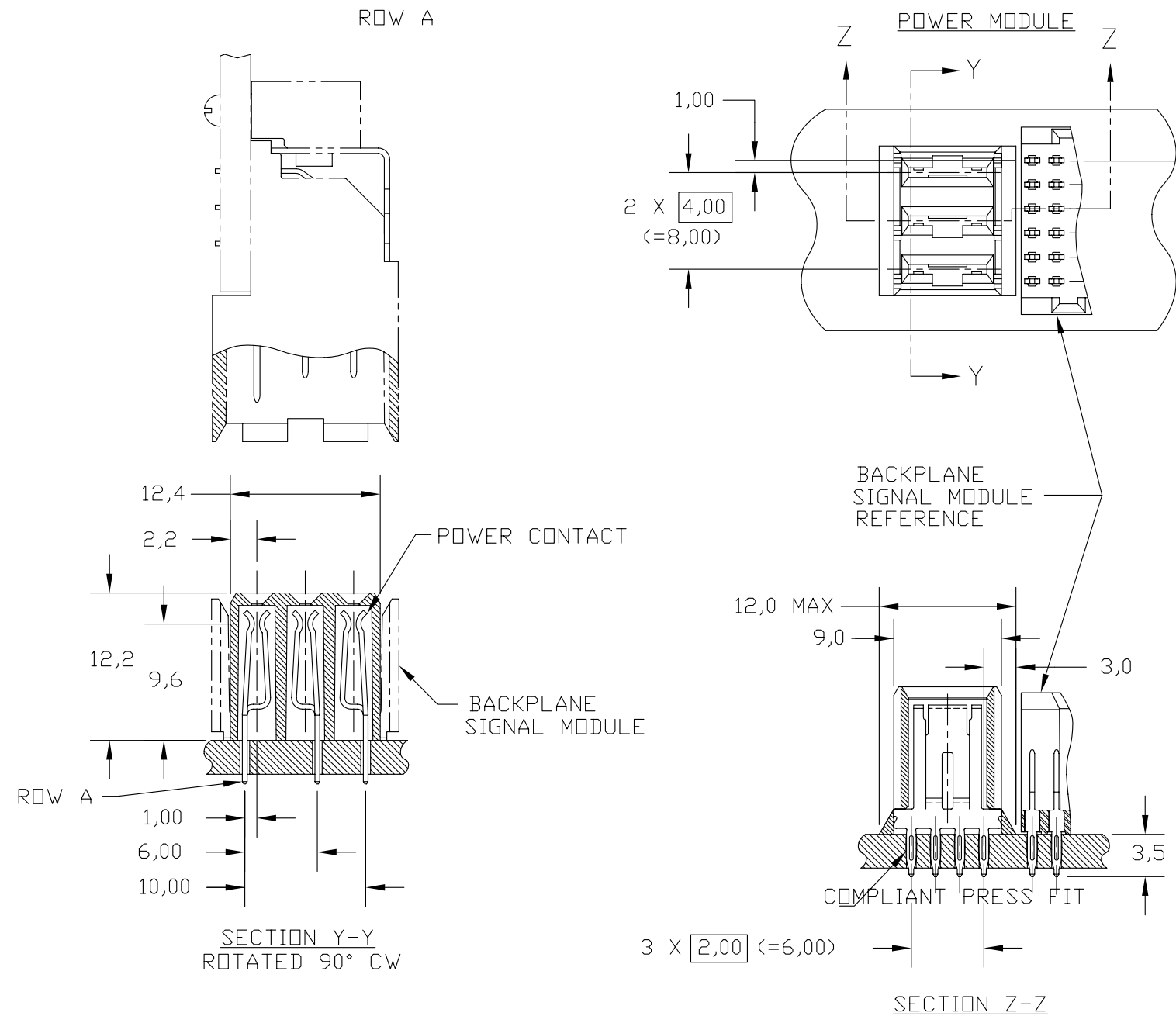


REV	SCR NO.	DESCRIPTION	BY	DATE	APPROVED
-	20310	NEW RELEASE	R.C.	11/12/96	G.GRASSETT
A	22563	RELEASED INTO CMS	DLS	10/15/97	L.McMAHON
B	MLEE6K3KQZ.VER02	REPLACED DRAWING FORMAT	ML	01/18/05	C.SAMMIS



④ THIS DIMENSION MUST BE A MULTIPLE OF 4,00 mm.

3. INSULATOR MATERIAL: GLASS-REINFORCED POLYESTER (LCP) UL-94 V-0 RATING, COLOR: BLACK
 CONTACT MATERIAL & FINISH: BERYLLIUM COPPER ALLOY PER C175101. MATING AREA: 0.00127 (0.00005) MILLIMETERS THICK MINIMUM NICKEL PER QQ-N-290, CLASS I UNDER MIL-G-45204, TYPE II, GRADE C. COMPLIANT AREA: 0.00076 (0.000030) TO 0.00152 (0.000060) MILLIMETER THICK NICKEL UNDER 0.00038 (0.000015) TO 0.00152 (0.000060) MILLIMETER 60/40 TIN LEAD PER MIL-P-81728A.

2. DIMENSIONS AND TOLERANCES SUBJECT TO CHANGE WITHOUT NOTICE.

NOTES: 1. DIMENSIONS AND TOLERANCES ARE IN mm AND INTENDED FOR LAYOUT AND INFORMATION PURPOSES ONLY.

TOLERANCES		DWN 11/12/96 R.CHIFFY	Amphenol TCS A Division of Amphenol Corporation 44 Simon Street, Nashua, NH. 03060 (603) 879-3000
.00	± 0,25	CHK 11/12/96 T.PITTEN	
.000	± 0,13	APVD 11/12/96 G.GRASSETT	
.0000	± -		TITLE BACKPLANE POWER MODULE ASSEMBLY HDM & HDM PLUS CONNECTOR
ANGLES ± -			PART NO. 437-5121-000
DIMENSIONS IN BRACKETS ARE [MM] ALL OTHER DIMENSIONS ARE INCHES			DRAWING NO. C-437-5121-000
CUSTOMER USE DRAWING			REV -
INTERPRET PER ANSI Y14.5			REV B
CODE IDENT 31413	SIZE B	SCALE 2/1	SHEET 1 OF 1

DWG NO. C-437-5121-000 SH 1 REV B