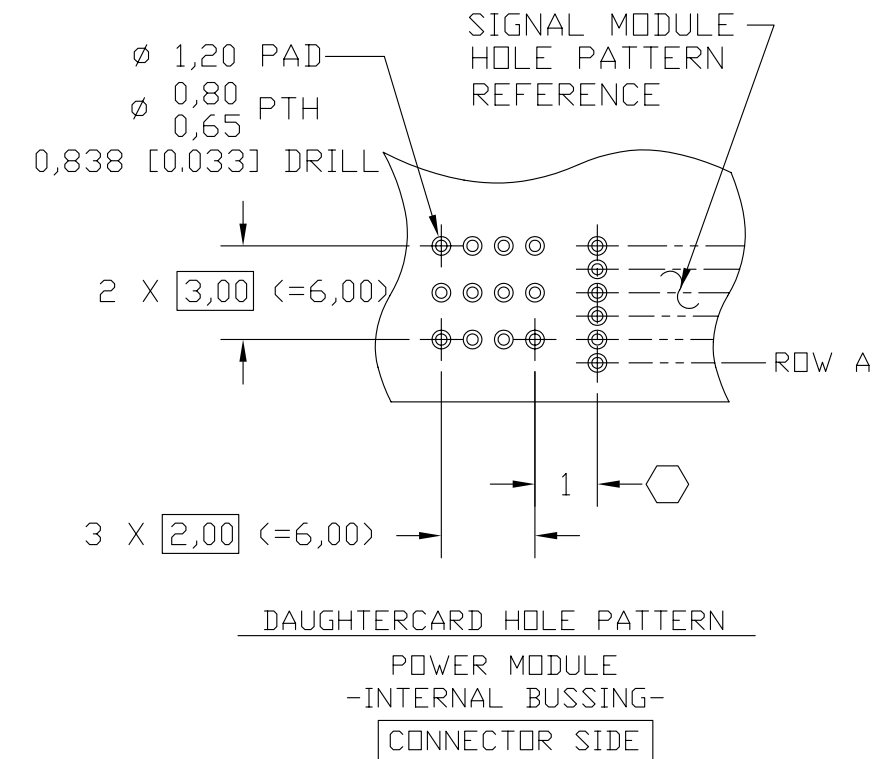
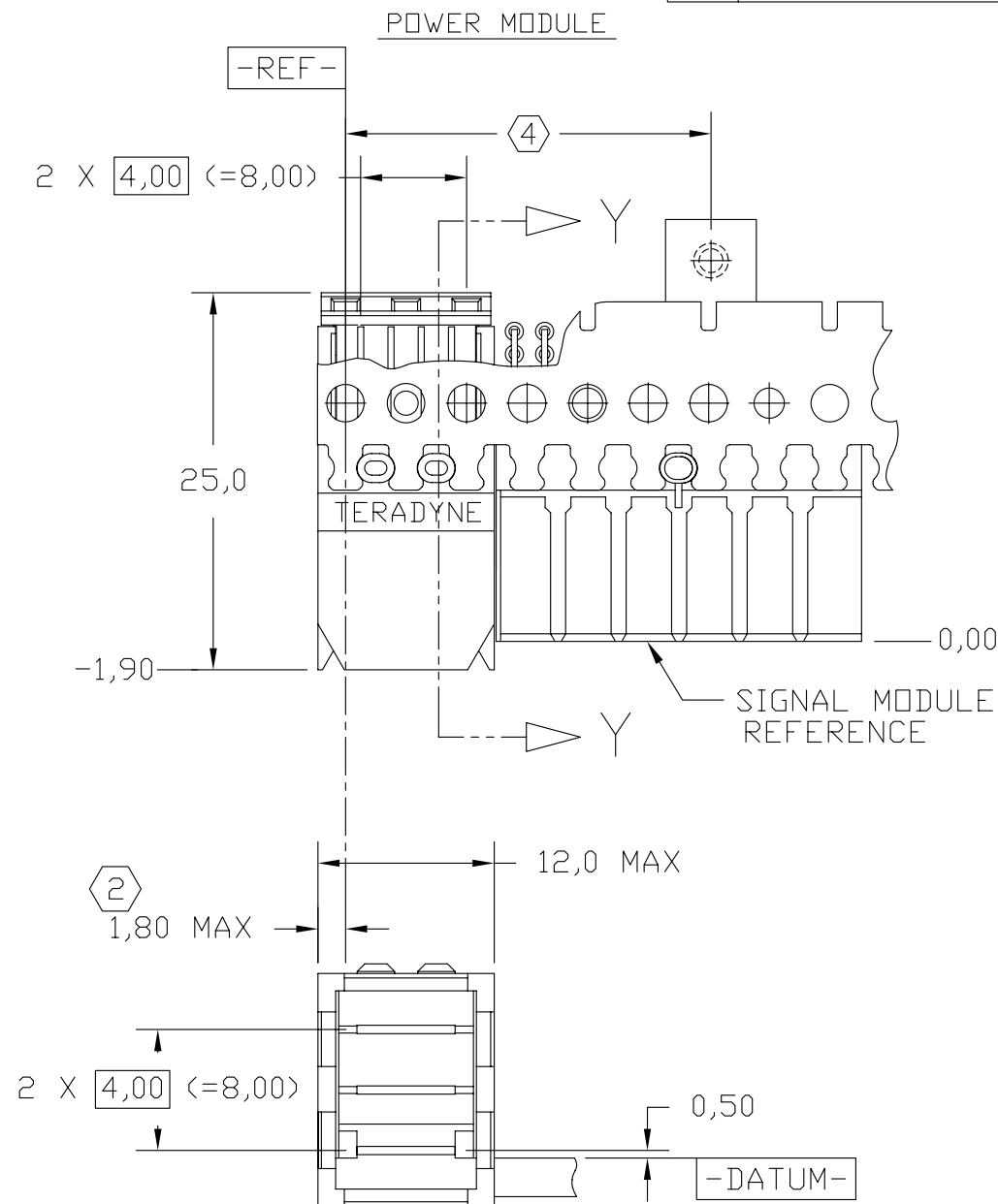
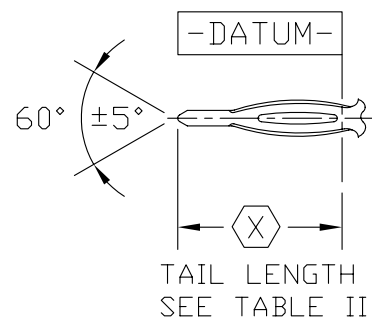
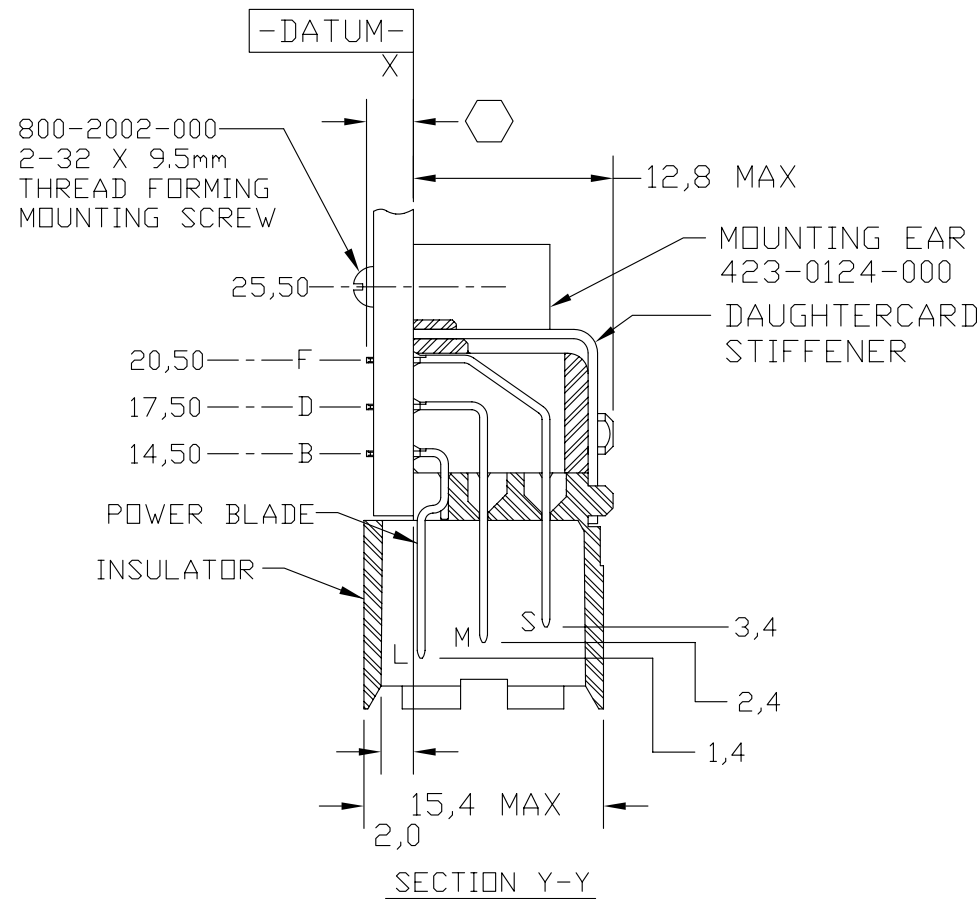


REV	SCR NO.	DESCRIPTION	BY	DATE	APPROVED
-	19732	NEW RELEASE	JV	7/29/96	D.Provencher
A	22563	RELEASED INTO CMS	DLS	10/15/97	L.McMAHON
B	40139	ADDED 5226-5236, DELETED VIEWS	SG	10/04/02	MUZZEY
C	MHEZ-5PXLJL.VER01	ADDED 5237-5238	ED	08/08/03	HERNANDEZ
D	MLEE-6K3PYK.VER01	UPDATE DRAWING FORMAT	ML	01/18/06	C.SAMMIS

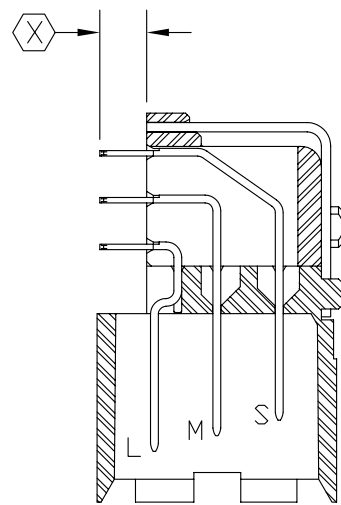


TOLERANCES	DWN 02/24/96 J,VARHEGY	<b>Amphenol TCS</b> A Division of Amphenol Corporation 44 Simon Street, Nashua, NH 03060 (603) 879-3000	TITLE DAUGHTERCARD PRESS FIT POWER MODULE ASSEMBLY HDM CONNECTOR	
.00	± 0.25			PART NO. SEE TABLE I
.000	± 0.13			
.0000	± -			REV D
ANGLES	± -	APVD 7/29/96 D.B.P.	SHEET 1 OF 2	
UNLESS OTHERWISE SPECIFIED DIMENSIONS ARE IN INCHES		CUSTOMER USE DRAWING		
INTERPRET PER ANSI Y14.5		SIZE B	SCALE 2/1	
CODE IDENT 31413		SHEET 1 OF 2	SHEET 1 OF 2	

REV	SCR NO.	DESCRIPTION	BY	DATE	APPROVED
		SEE SHEET 1			

PART NUMBER (X)	P/N REV	TYPE
437-5218-XXX	-	LLS
437-5219-XXX	-	LMS
437-5220-XXX	-	LSS
437-5222-XXX	-	SLS
437-5223-XXX	-	LML
437-5224-XXX	-	MML
437-5225-XXX	-	MLM
437-5226-XXX	-	LLL
437-5227-XXX	-	MMM
437-5228-XXX	-	SSS
437-5229-XXX	-	LLM
437-5230-XXX	-	SMS
437-5231-XXX	-	LMM
437-5232-XXX	-	MSS
437-5233-XXX	-	SSM
437-5234-XXX	-	MMS
437-5235-XXX	-	LS-
437-5236-XXX	-	SS-
437-5237-XXX	-	M-M
437-5238-XXX	-	SML

(X)	TAIL LENGTH
300	3,00 ±0,25
350	3,50 ±0,25
400	4,00 ±0,25



437-5219-XXX (X)  
TYPE LMS

- 6. DIMENSIONS AND TOLERANCES ARE IN MILLIMETERS AND INTENDED FOR LAYOUT AND INFORMATION PURPOSES ONLY.
  - 5. FOR MATERIALS, FINISHES, AND PART NUMBERING REFERENCE HDM PRODUCT SPECIFICATION TB2012.
  - ④ PLACE MOUNTING EAR ON DATUM [-REF-] OR MULTIPLES OF 4mm.
  - 3. DIMENSIONS AND TOLERANCES SUBJECT TO CHANGE WITHOUT NOTICE.
  - ② USE 2.0mm NOMINAL FOR DAUGHTERCARD LAYOUT.
- NOTES: ① THIS DIMENSION MUST BE A MULTIPLE OF 4.00mm.

TOLERANCES		DWN 02/24/96 J,VARHEGY	<b>Amphenol TCS</b> A Division of Amphenol Corporation 44 Simon Street, Nashua, NH. 03060 (603) 879-3000
.00	± 0.25	CHK 7/29/96 D.B.P.	
.000	± 0.13	APVD 7/29/96 D.B.P.	
.0000	± -		
ANGLES	± -		TITLE DAUGHTERCARD PRESS FIT POWER MODULE ASSEMBLY HDM CONNECTOR
UNLESS OTHERWISE SPECIFIED DIMENSIONS ARE IN INCHES			
CUSTOMER USE DRAWING			PART NO. SEE TABLE I
INTERPRET PER ANSI Y14.5			DRAWING NO. C-437-5220-500
			REV D
CODE IDENT 31413	SIZE B	SCALE 2/1	SHEET 2 OF 2

DWG NO. C-437-5220-500  
 SH 2  
 REV D