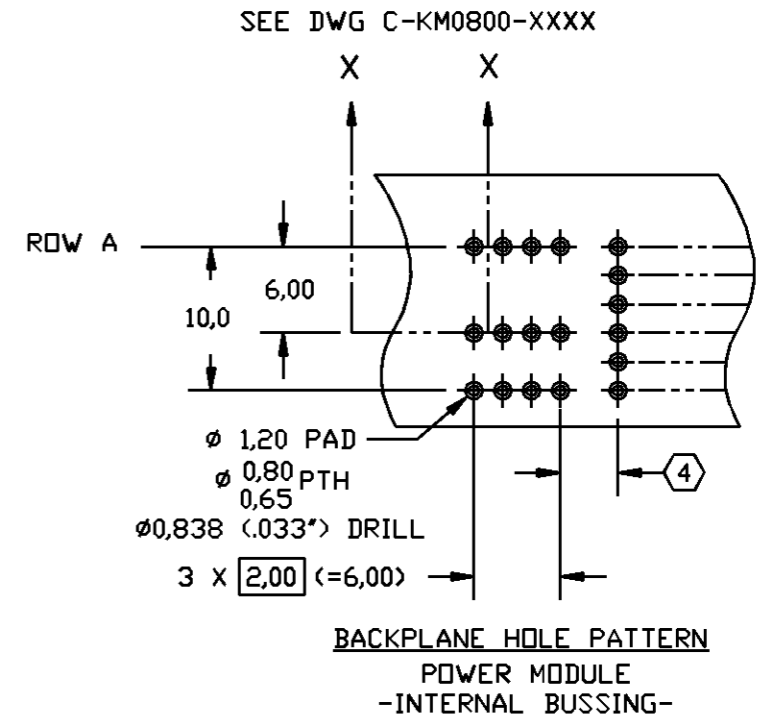
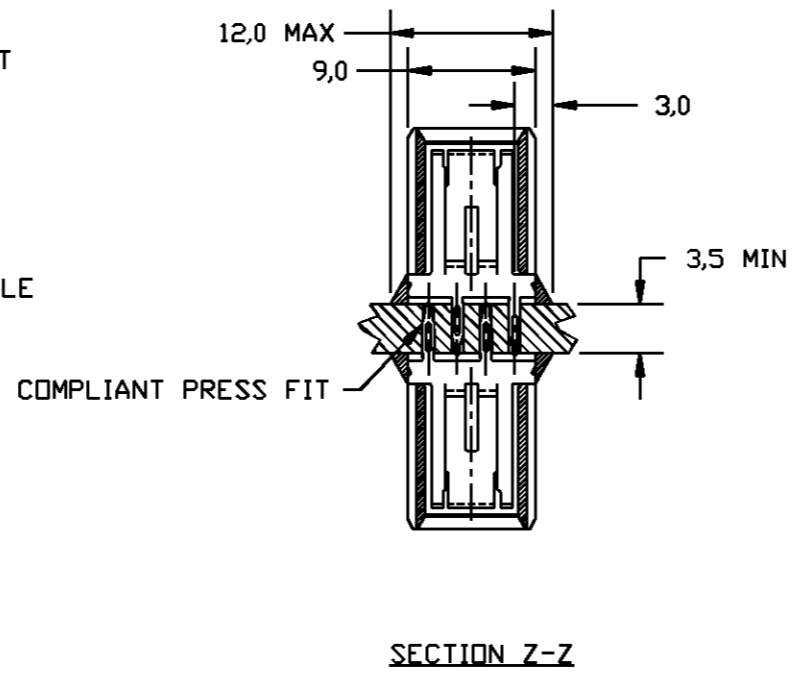
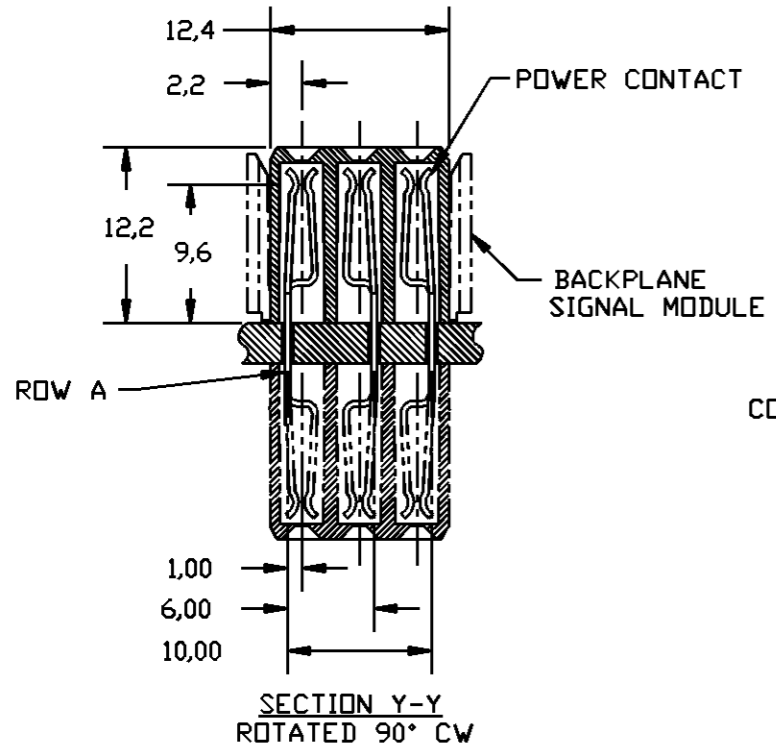
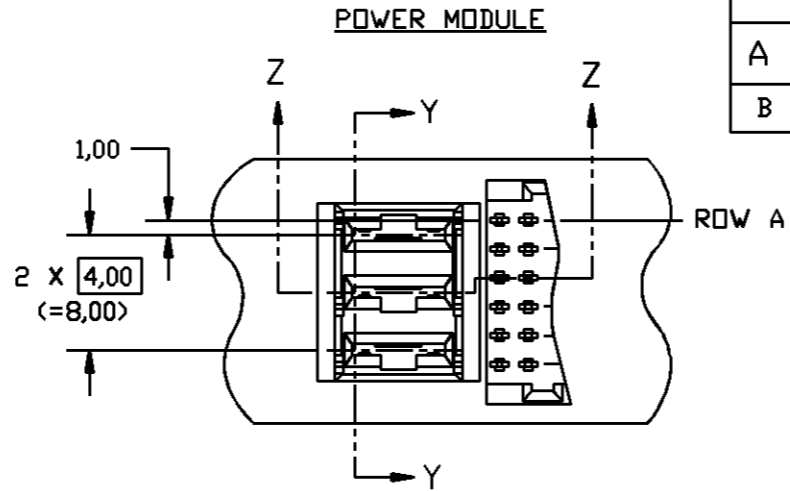
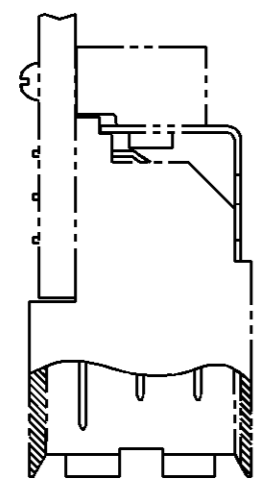


REV	SCR NO.	DESCRIPTION	BY	DATE	APPROVED
-	20474	NEW RELEASE	R.C.	12/19/96	G.GRASSETT
A	21470	MIRRORED SECTION Z-Z	R.C.	05/21/97	RUSHBROOK
B	22563	RELEASED INTO CMS	DLS	10/15/97	L.McMAHON



④ THIS DIMENSION MUST BE A MULTIPLE OF 4,00 mm.

3. FOR MATERIALS AND FINISHES SEE HDM PRODUCT SPECIFICATION TB-2012.

2. DIMENSIONS AND TOLERANCES SUBJECT TO CHANGE WITHOUT NOTICE.

NOTES: 1. DIMENSIONS AND TOLERANCES ARE IN mm AND INTENDED FOR LAYOUT AND INFORMATION PURPOSES ONLY.

TOLERANCES		DWN 12/19/96 R.CHIFFY	<p>TERADYNE CONNECTION SYSTEMS, INC. 44 SIMON STREET NASHUA, N.H. 03060 (603) 791-3000</p>
0,0	± 0,25	CHK	
0,00	± 0,13	GPG	
0,000	± -	APVD 12/19/96 G.GRASSETT	
ANGLES ± -			TITLE MIDPLANE POWER MODULE ASSEMBLY
UNLESS OTHERWISE SPECIFIED DIMENSIONS ARE IN MILLIMETERS			HDM & HDM PLUS CONNECTOR
CUSTOMER USE DRAWING		PART NO. 437-7021-000	REV -
<p>INTERPRET PER ANSI Y14.5</p>		DRAWING NO. C-437-7021-000	REV B
CODE IDENT 31413	SIZE B	SCALE 2/1	SHEET 1 OF 1

DWG NO. C-437-7021-000 SH 1 REV B