

4

3

DRW NO.	SH	REV
C-438-0043-500	I	B

BUSHING CLOCK POSITION	PART NUMBER	REV
NONE	438-0043-070	-
A	438-5043-A00	-
B	438-5043-B00	-
C	438-5043-C00	-
D	438-5043-D00	-
E	438-5043-E00	-
F	438-5043-F00	-
G	438-5043-G00	-
H	438-5043-H00	-

ZONE	REV	SCR NO.	DESCRIPTION	BY	DATE	APPROVED
-	-	29496	NEW RELEASE	JV	11/29/99	D.Provencher
A		39370	ADDED VHDM TO TITLE	SG	8/01/02	YEH
B		MLEE-6LDQ4W.VER01	REPLACED DRAWING FORMAT	M.LEE	02/13/06	C.SAMMIS

B

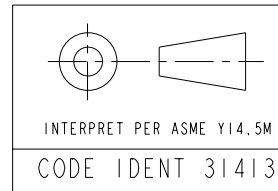
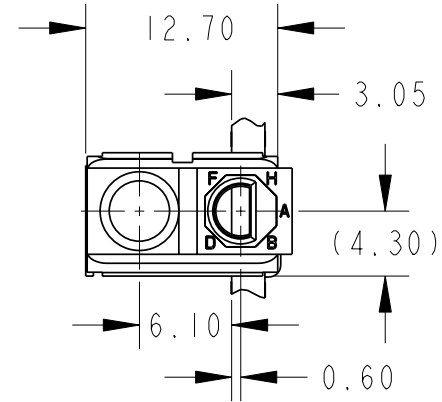
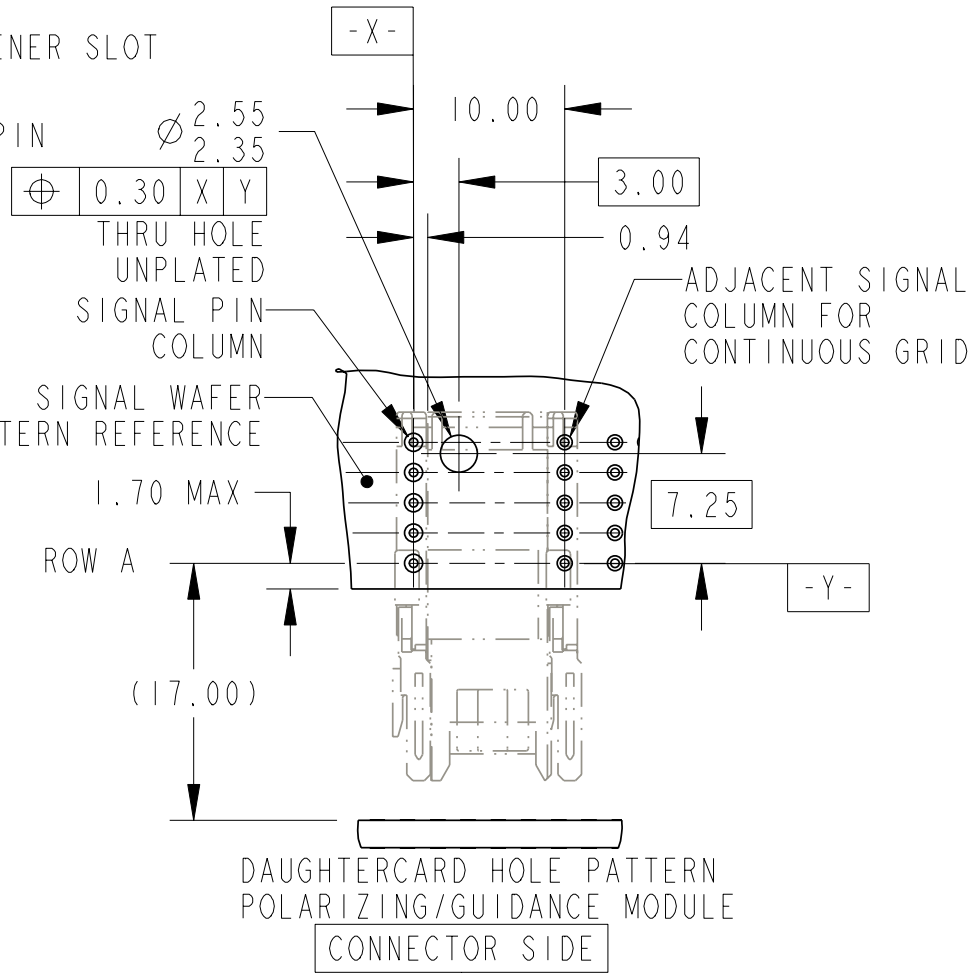
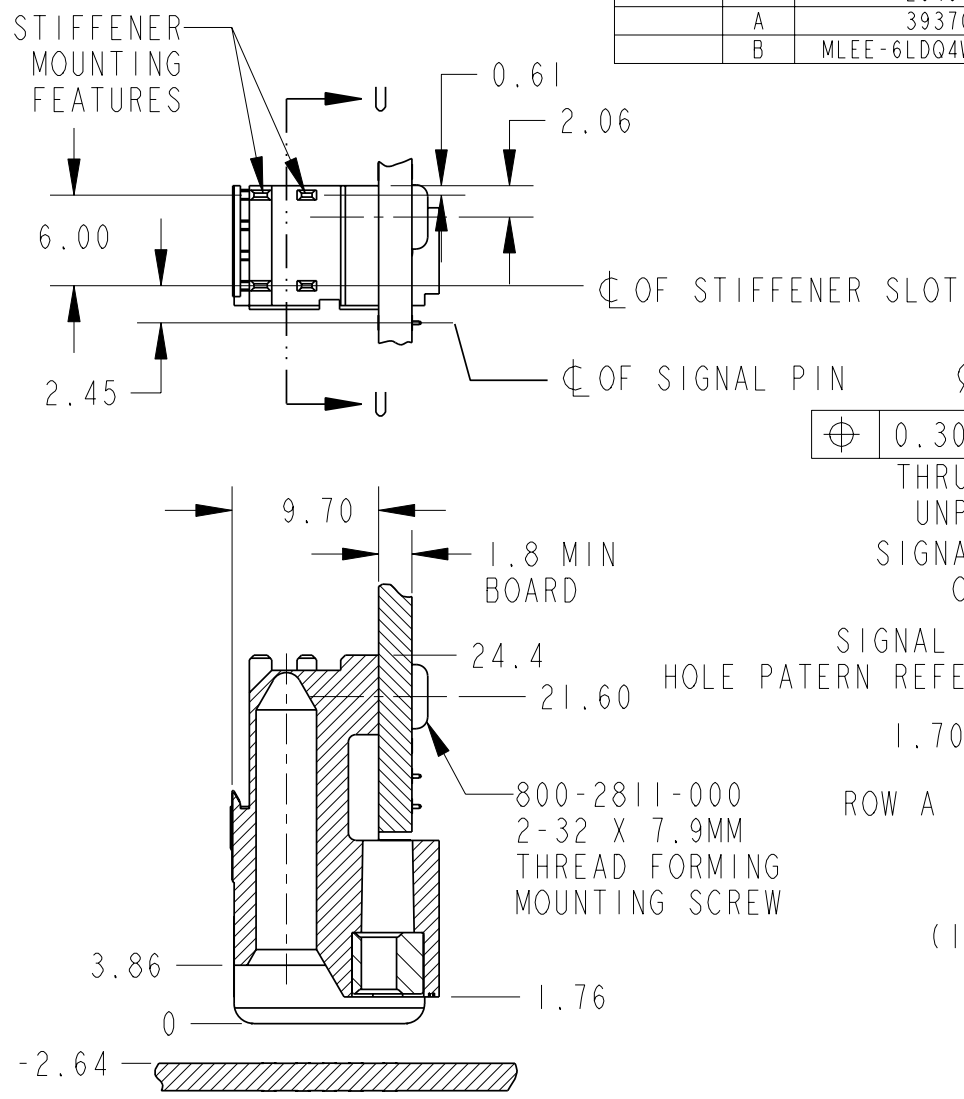
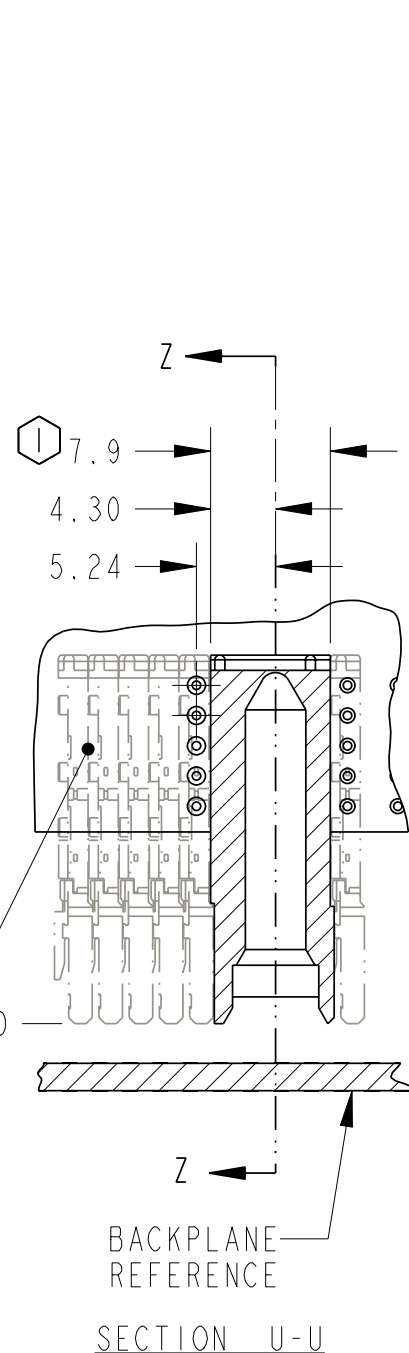
A

B

DRW NO. C-438-0043-500

SH I

REV B



TOLERANCES	DESIGN	DP/COL/JSG/JV
0.0	±0.25	7/8/99
0.00	±0.13	J.Varhegyi
0.000	± -	11/29/99
ANGLES	± -	D.Provencher
		4/28/00
		D.Provencher

UNLESS OTHERWISE SPECIFIED DIMENSIONS ARE IN MM, DECIMAL MAKER IS PERIOD

**CUSTOMER USE DRAWING**

<b>Amphenol TCS</b> A Division of Amphenol Corporation 44 Simon Street, Nashua, NH. 03060 603.879.3000	
TITLE DAUGHTERCARD POWER MODULE ASSEMBLY, 5 ROW VHDM-HSD	
PART NO. SEE KEY & TABLE	REV
DRAWING NO. C-438-0043-500	REV B
ProeASSEM P1018-ASSY P1018-DC-GUIDANCE-ASSY .dwg	
SIZE B	SCALE 2.000
SHEET 1 OF 1	

NOTES: 1 USE 8.00MM NOMINAL FOR DAUGHTERCARD LAYOUT.

4

3

2

1