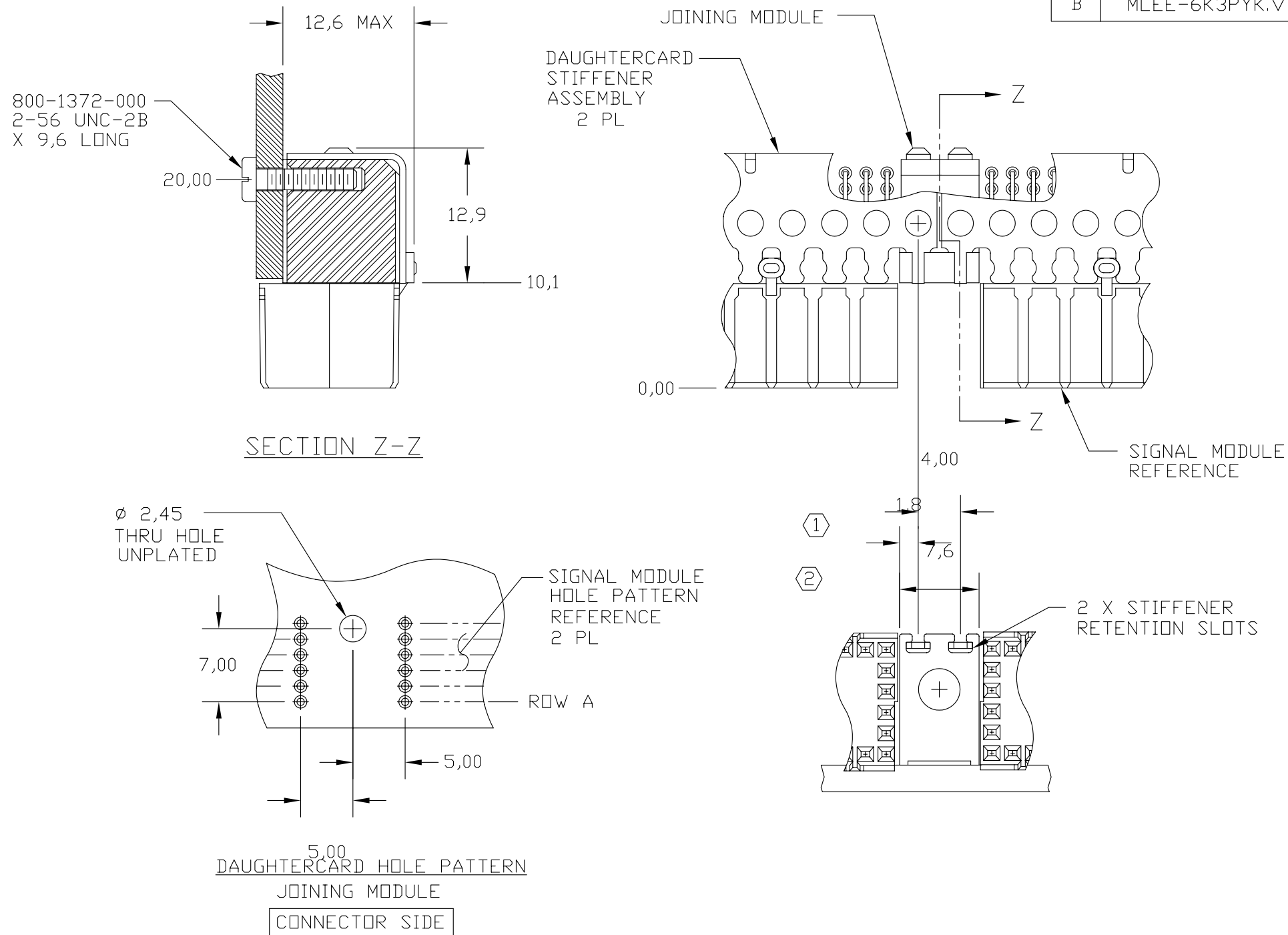


REV	SCR NO.	DESCRIPTION	BY	DATE	APPROVED
-	19231	NEW RELEASE	JV	4/22/96	DBP
A	22563	RELEASED INTO CMS	DLS	10/15/97	L.McMAHON
B	MLEE-6K3PYK.VER01	UPDATED DRAWING FORMAT	ML	01/18/06	C.SAMMIS



- 5. DIMENSIONS AND TOLERANCES SUBJECT TO CHANGE WITHOUT NOTICE.
- 4. DIMENSIONS AND TOLERANCES ARE IN MM AND INTENDED FOR LAYOUT AND INFORMATION PURPOSES ONLY.
- 3. FOR MATERIALS, FINISHES, PART NUMBERING AND ORDERING SEE HDM PRODUCT SPECIFICATION TB-2012.
- ② USE 8,00 mm NOMINAL FOR DAUGHTERCARD LAYOUT.
- NOTES: ① USE 2,00 mm NOMINAL FOR DAUGHTERCARD LAYOUT.

TOLERANCES		DWN 4/23/96 J.VARHEGYI	Amphenol TCS <small>A Division of Amphenol Corporation 44 Simon Street, Nashua, NH 03060 (603) 879-3000</small>
0,0	± 0,25	CHK 4/30/96 PROVENCHER	
0,00	± 0,13	APVD 4/30/96 PROVENCHER	
0,000	± -		
ANGLES		± -	
UNLESS OTHERWISE SPECIFIED DIMENSIONS ARE IN MILLIMETERS			
CUSTOMER USE DRAWING			TITLE JOINING MODULE HDM
 INTERPRET PER ANSI Y14.5			PART NO. 438-0118-508
CODE IDENT 31413			DRAWING NO. C-438-0118-000
SIZE B	SCALE 2/1	SHEET 1 OF 1	

DWG NO. C-438-0118-000 SH 1 REV B