

4

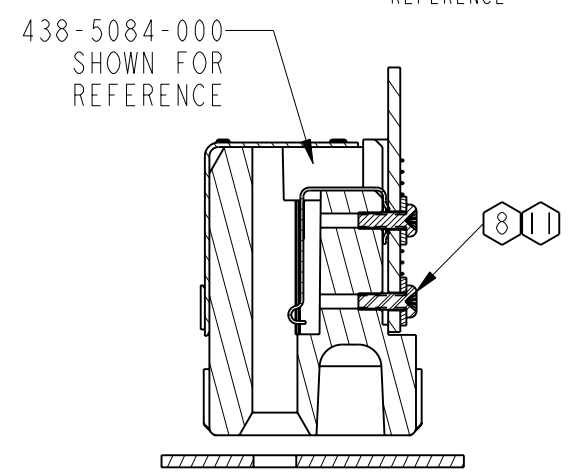
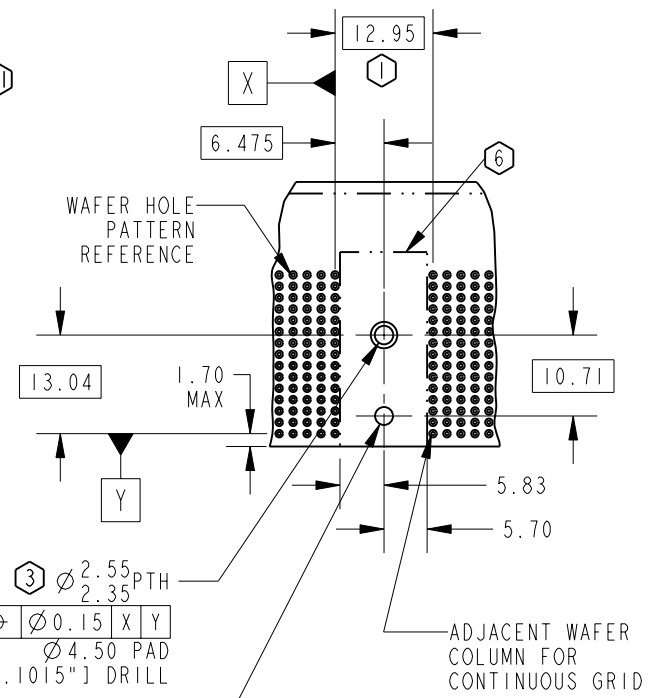
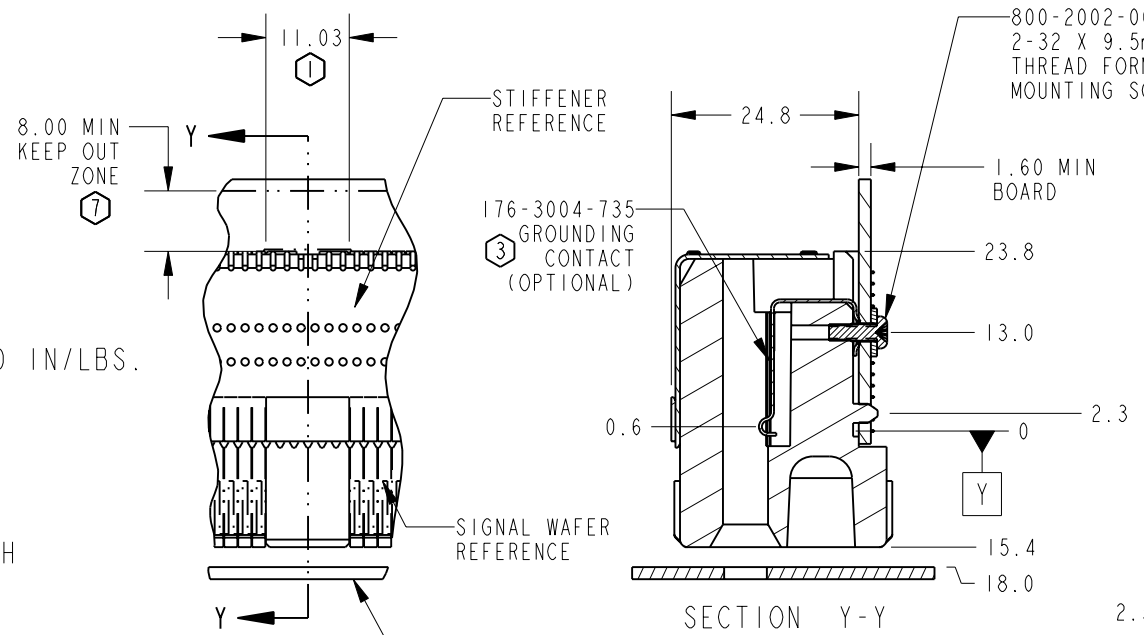
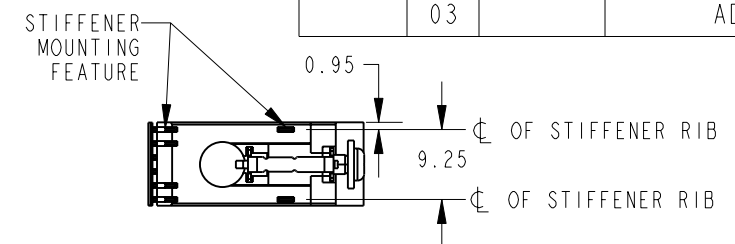
3

DRW NO.	C-438-5083-500	SH	1	REV	03
---------	----------------	----	---	-----	----

ZONE	REV	SCR NO.	DESCRIPTION	BY	DATE	APPROVED
	01		PRELIMINARY RELEASE	R.C.	12/06/01	
	02		UPDATED PART NUMBERS	J.D.	10/24/02	
	03		ADDED NOTE 11	J.D.	12/05/02	

TABLE 1

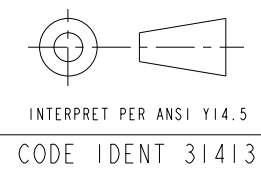
PART NUMBER	REV	MOUNTING POST	GROUND CONTACT
438-5083-000	03	YES	YES
438-0083-070	03	YES	NO
438-0084-070	03	NO	NO
438-5084-000	03	NO	YES



TOLERANCES	DESIGN	11/02/01	R.CHIFFY	
0.0	±0.25	DRAWN	12/04/01	R.CHIFFY
0.00	±0.13	CHK	12/07/01	J.DUNHAM
0.000	±	APVD	XX/XX/XX	T.COHEN
ANGLES	± 3°			

UNLESS OTHERWISE SPECIFIED DIMENSIONS ARE IN MM

CUSTOMER USE DRAWING



- 11. INSTALLATION TORQUE SPECIFICATION = 3.5 INS/LBS. ±1.0 IN/LBS.
- 10. REFER TO TB-2085 FOR GbX PRODUCT SPECIFICATIONS.
- 9. SEE TB-2014 FOR BOARD WEIGHT LIMITATIONS.
- 8. THROUGH HOLE MAY ALSO BE USED FOR ADDITIONAL SCREW WITH WIDE GUIDE MODULE WITHOUT POST.
- 7. FOR CONNECTOR REPAIRABILITY, USE KEEP OUT ZONE.
- 6. NO SURFACE TRACES IN KEEP OUT ZONE.
- 5. THRU HOLE REQUIRED FOR WIDE GUIDE MODULES WITH POST. WIDE GUIDES USED AS STIFFENER JOINERS MODULES MAY NOT HAVE A POST AND DO NOT REQUIRE THIS HOLE.
- 4. NOMINAL DIMENSION FOR FULLY SEATED CONNECTOR.
- 3. PLATED THROUGH HOLE TO CONNECT TO CHASSIS FOR FIRST MATE GROUND OPTION THROUGH GUIDE PIN. SEE TB-2090 FOR ROUTING GUIDELINES. USE UNPLATED THROUGH HOLE FOR UNGROUNDED MODULES.
- 2. FOR MATING GUIDE PIN DETAIL & LOCATION, SEE DRAWING C-564-0470-000.
- 1. USE 11.1mm NOMINAL FOR DAUGHTERCARD LAYOUT.

NOTES:

DRW NO. C-438-5083-500

SH 1 REV 03

TERADYNE	
TERADYNE CONNECTION SYSTEMS, INC. 44 SIMON STREET, NASHUA, N.H. 03060 (603) 879-3000	
TITLE WIDE GUIDANCE/JOINER MODULE GbX 5 PAIR	
PART NO.	SEE TABLE 1
DRAWING NO.	C-438-5083-500
ProeASSEM P1022-DC-WIDE-GUIDE-MOD P1022-CU-DC-WIDE_GUIDE .dwg	1.13+ 1.4+
SIZE B	SCALE 1/1
SHEET 1 OF 1	

4

3

2

1