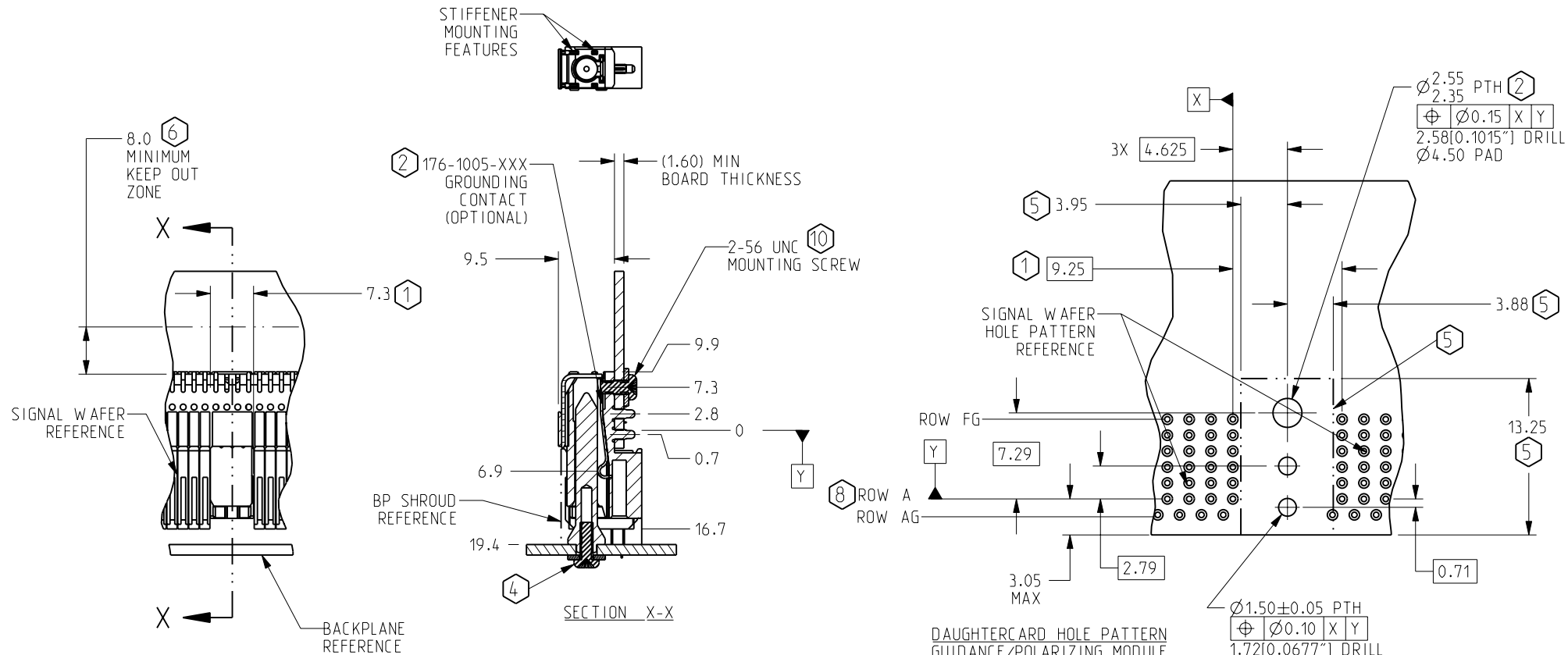
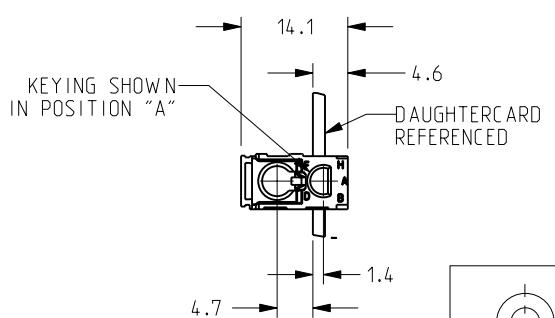


PART NUMBER	GROUNDED	KEY POSITION	PLATING
438-5106-031	YES	NO KEY	Ni SULFAMATE
438-5106-041	YES	NO KEY	NANO Ni
438-5106-A31	YES	A	Ni SULFAMATE
438-5106-A41	YES	A	NANO Ni
438-5106-B31	YES	B	Ni SULFAMATE
438-5106-B41	YES	B	NANO Ni
438-5106-C31	YES	C	Ni SULFAMATE
438-5106-C41	YES	C	NANO Ni
438-5106-D31	YES	D	Ni SULFAMATE
438-5106-D41	YES	D	NANO Ni
438-5106-E31	YES	E	Ni SULFAMATE
438-5106-E41	YES	E	NANO Ni
438-5106-F31	YES	F	Ni SULFAMATE
438-5106-F41	YES	F	NANO Ni
438-5106-G31	YES	G	Ni SULFAMATE
438-5106-G41	YES	G	NANO Ni
438-5106-H31	YES	H	Ni SULFAMATE
438-5106-H41	YES	H	NANO Ni
438-0106-A00	NO	A	N/A
438-0106-B00	NO	B	N/A
438-0106-C00	NO	C	N/A
438-0106-D00	NO	D	N/A
438-0106-E00	NO	E	N/A
438-0106-F00	NO	F	N/A
438-0106-G00	NO	G	N/A
438-0106-H00	NO	H	N/A
438-0106-540	NO	NO KEY	N/A

ZONE	REV	SCR NUMBER	DESCRIPTION	BY	DATE	APPROVED
A1	D	DSMH-7R5QVN.VER01	DIM 13.25 WAS 13.82	HCL-SK	04/29/2009	D.SMITH
A1			DIM 3.88 WAS 2.85			
B2			DIM 3.95 WAS 2.98			
			UPDATED NOTE 5			
	E	CSAS-837LP3.VER01	ADDED NEW PART NUMBERS(-X41) IN TABLE 1 FOR NEW PLATING CODES. REMOVED REV COLUMN IN TABLE 1.	HCL-GM	03/17/2010	C.SAMMIS



- NOTES:
- USE 7.40 NOMINAL FOR DAUGHTERCARD LAYOUT.
 - PLATED THROUGH HOLE TO CONNECT TO CHASSIS FOR FIRST MATE GROUND OPTION THROUGH GUIDE PIN. SEE TB-2090 FOR ROUTING GUIDELINES. USE UNPLATED THROUGH HOLE FOR UNGROUNDED MODULES.
 - NOMINAL DIMENSION FOR FULLY SEATED CONNECTOR.
 - FOR MATING GUIDE PIN DETAIL AND LOCATION, SEE DRAWING C-564-OXXX-000 FOR STAND ALONE GUIDE PIN OR DRAWING C-564-OXXX-500 FOR MODULE MOUNTED GUIDE PIN.
 - MAX COMPONENT OUTLINE, NO SURFACE TRACES UNDER COMPONENT.
 - FOR CONNECTOR REPAIRABILITY, USE KEEP OUT ZONE.
 - SEE TB-2104 FOR BOARD WEIGHT LIMITATIONS.
 - GROUND ROWS ARE ROWS AG, CG AND FG. ALL OTHER ROWS ARE SIGNAL ROWS.
 - REFER TO TB-2085 FOR GbX PRODUCT SPECIFICATIONS.
 - SCREW LENGTH DETERMINED BY DAUGHTERCARD THICKNESS.
 - GUIDE MODULE PEG HOLE MAY BE PLATED (Ø1.50mm FINISHD HOLE) OR UNPLATED (Ø1.70mm).



INTERPRET PER ASME Y14.5M
CODE IDENT 31413

TOLERANCES		DESIGN 05/12/04 R.CHIFFY
0.0	±0.25	DRAWN 05/13/04 R.CHIFFY
0.00	±0.13	CHK 05/13/04 J.DUNHAM
0.000	± -	APVD 05/13/04 T.COHEN
ANGLES	± 3°	

UNLESS OTHERWISE SPECIFIED DIMENSIONS ARE IN MM. DECIMAL MARKER IS A PERIOD

CUSTOMER USE DRAWING

Amphenol TCS
A Division of Amphenol Corporation
200 Innovative Way, Nashua, NH 03062 603.879.3000

TITLE
CUSTOMER USE GUIDANCE ASSEMBLY
2 PAIR GbX

PART NO. SEE TABLE 1 REV N/A

DRAWING NO. C-438-5106-500 REV E

Pro/E type: P1034-CU-GUIDE-MODULE-REAL 1.13
Pro/E DRAWING: C-438-5106-500 E.0

SIZE B SCALE 1/1 SHEET 1 OF 1