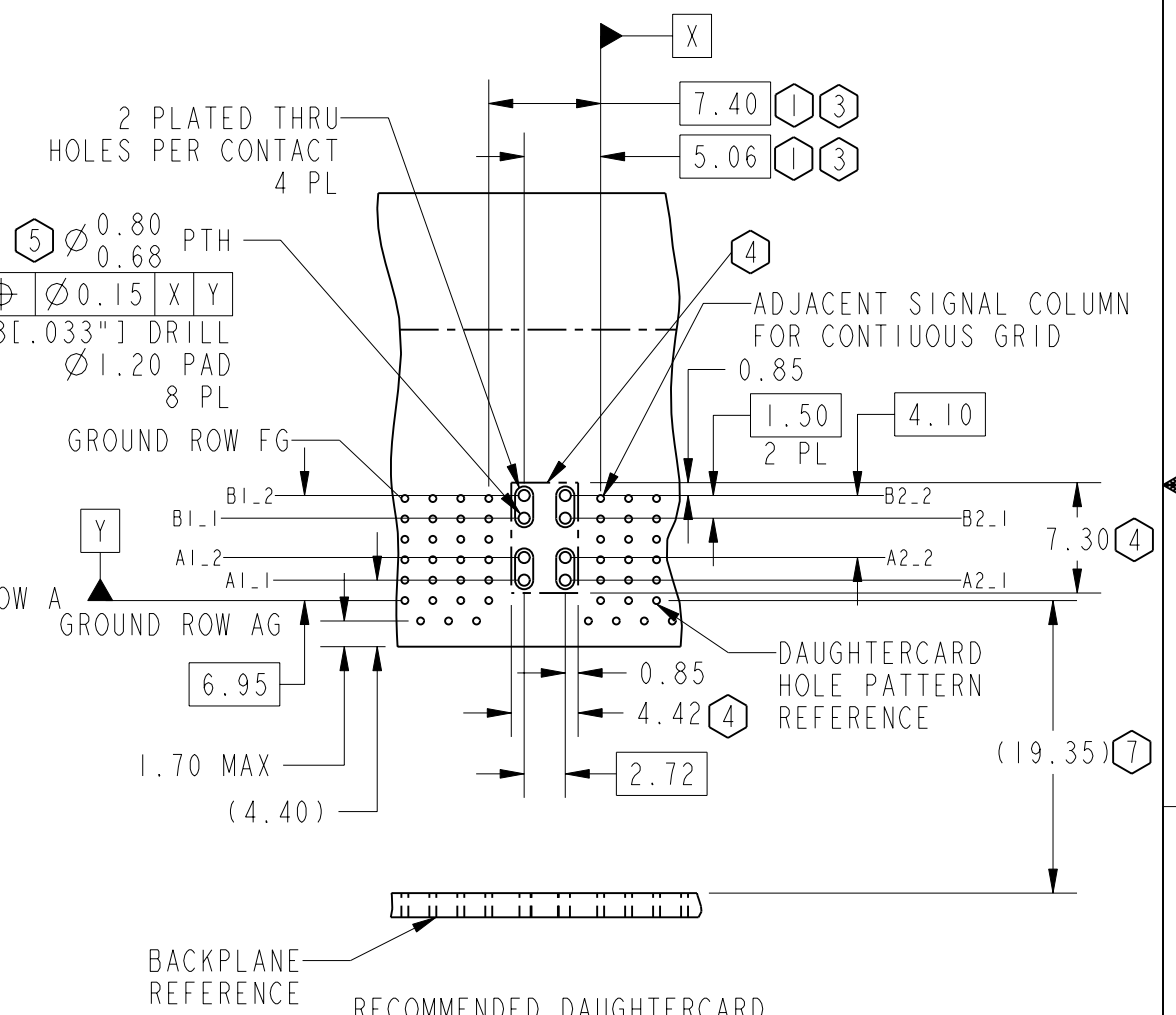
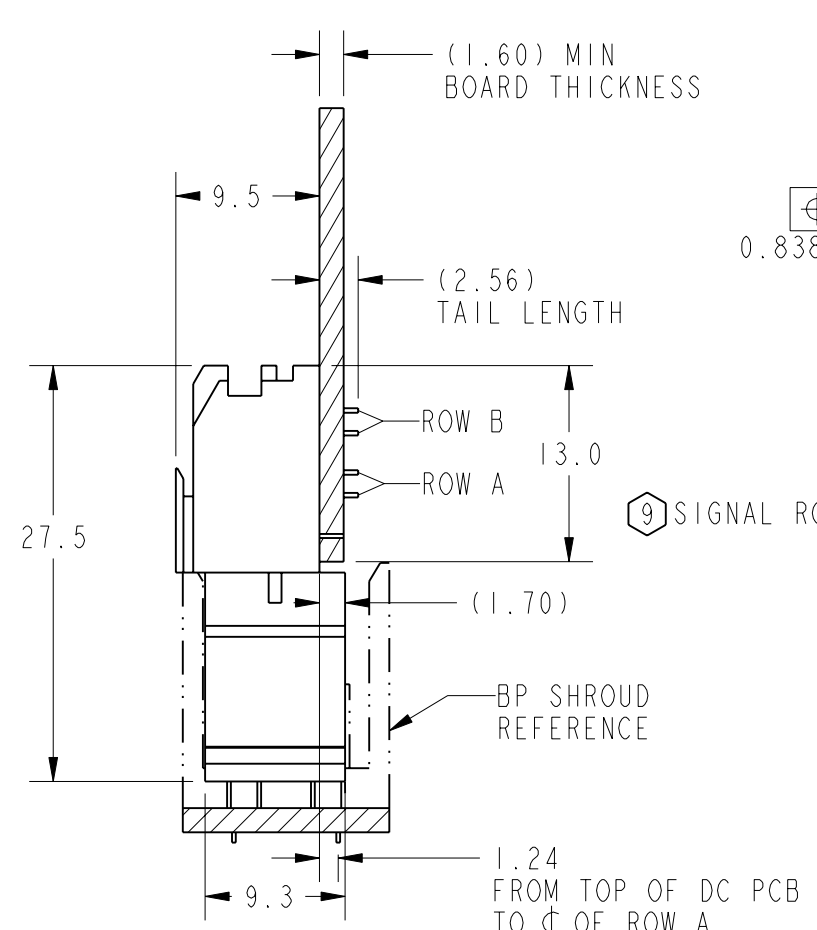
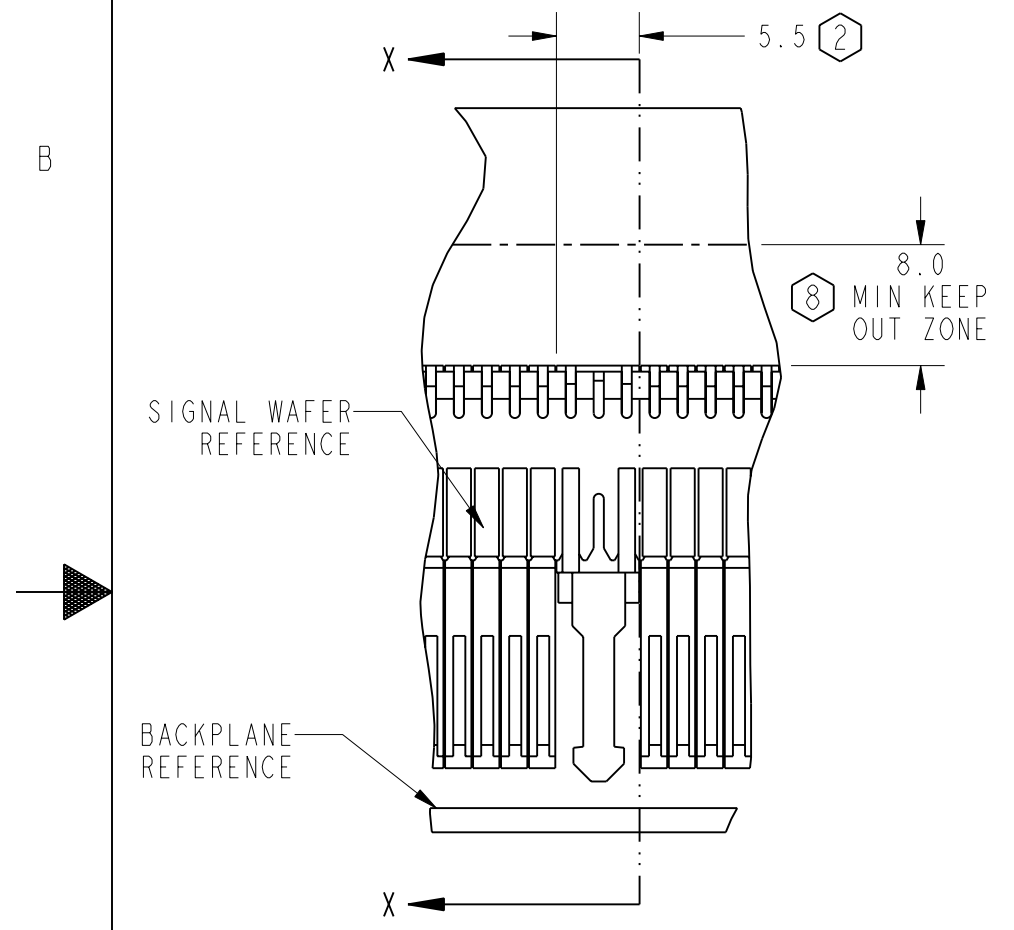
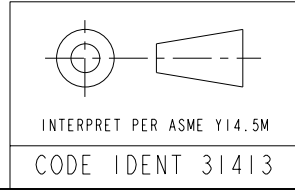


ZONE	REV	SCR NUMBER	DESCRIPTION	BY	DATE	APPROVED
ALL	-	DSMH-7BRRD5.VER01	NEW RELEASE	HCL-MH	02/15/2008	D.SMITH

PART NUMBER	REV	DESCRIPTION
439-3100-000	-	30μ IN. GOLD MATING PLATING
439-3300-000	-	50μ IN. GOLD MATING PLATING



- NOTES:
- ③ GROUND ROWS ARE ROWS AG, C AND FG. ALL OTHER ROWS ARE SIGNAL ROWS.
 - ⑧ FOR CONNECTOR REPAIRABILITY, USE KEEP OUT ZONE.
 - ⑦ NOMINAL SEATED DIMENSION. EQUIVALENT CARD MATING HEIGHT TO OTHER GbX SIZES.
 - 6. REFER TO TB-2085 FOR GbX PRODUCT SPECIFICATIONS AND TB-2103 FOR POWER APPLICATION GUIDE.
 - ⑤ STATED PAD SIZE MAY REQUIRE FILLETING. SEE TB-2090 FOR ROUTING GUIDELINES.
 - ④ NO SURFACE TRACES ALLOWED IN KEEP OUT ZONE.
 - ③ WHEN USING ENDCAPS BETWEEN SIGNAL WAFERS AND POWER MODULES, ADD 1.85 mm FOR EACH ENDCAP. VIEW SHOWN WITHOUT ENDCAPS. SEE DRAWING C-423-0XXX-000 FOR ENDCAP.
 - ② USE 5.55 mm NOMINAL FOR DAUGHTERCARD LAYOUT.
 - ① FOR EACH ADDITIONAL POWER MODULE, ADD 5.55 mm.



CUSTOMER USE
DRAWING

TOLERANCES	DESIGN 08/29/03 R.CHIFFY	Amphenol TCS A Division of Amphenol Corporation 44 Simon Street, Nashua, NH, 03060 603.879.3000
0.0 ±0.25	DRAWN 09/02/03 R.CHIFFY	
0.00 ±0.13	CHK 09/05/03 A.ASTBURY	
0.000 ± -	APVD XX/XX/XX T.COHEN	
ANGLES ± -	UNLESS OTHERWISE SPECIFIED DIMENSIONS ARE IN MM, DECIMAL MAKER IS PERIOD	
TITLE		SIMPLIFIED POWER ASSEMBLY GbX 2 PAIR
PART NO.		SEE TABLE I
DRAWING NO.		C-439-3100-500
ProcASSEM		SI-P1034-CU-PWR-MATED P1034-CU-DC-PWR .dwg
SIZE B	SCALE 2/1	SHEET 1 OF 1

DRW NO.
C-439-3100-500

SH
1
REV
-