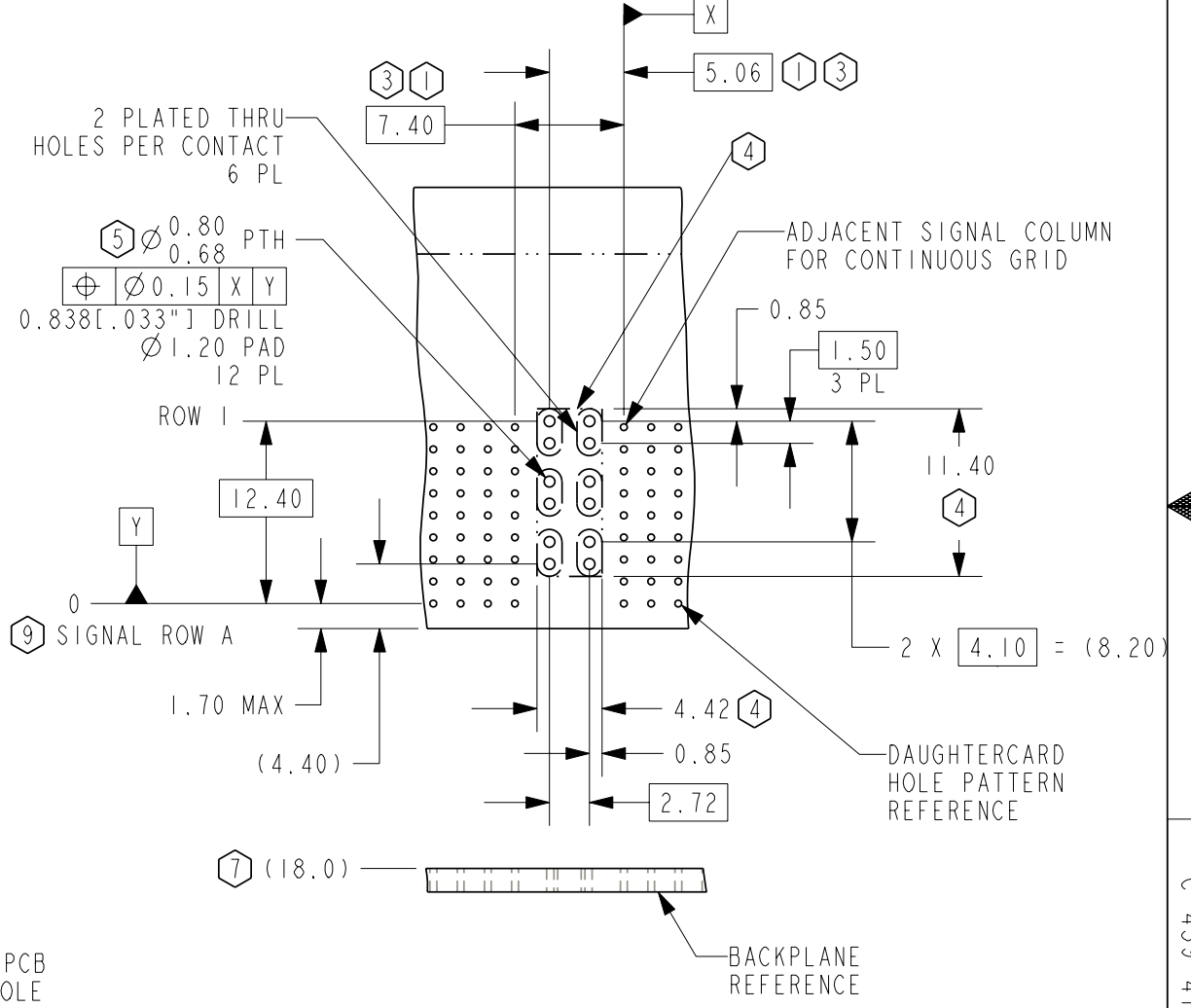
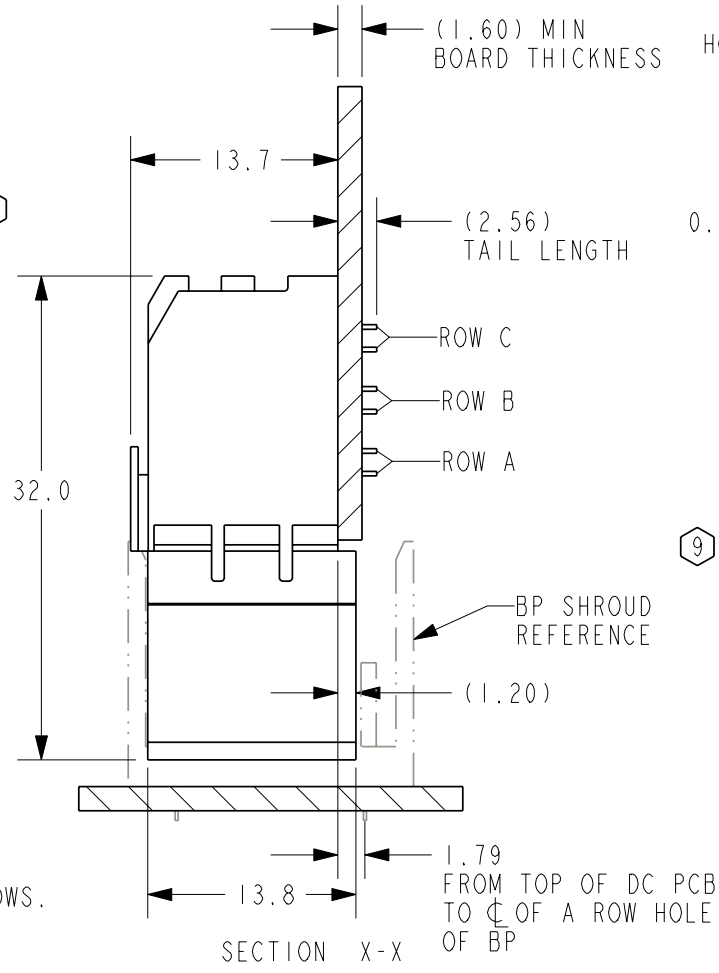
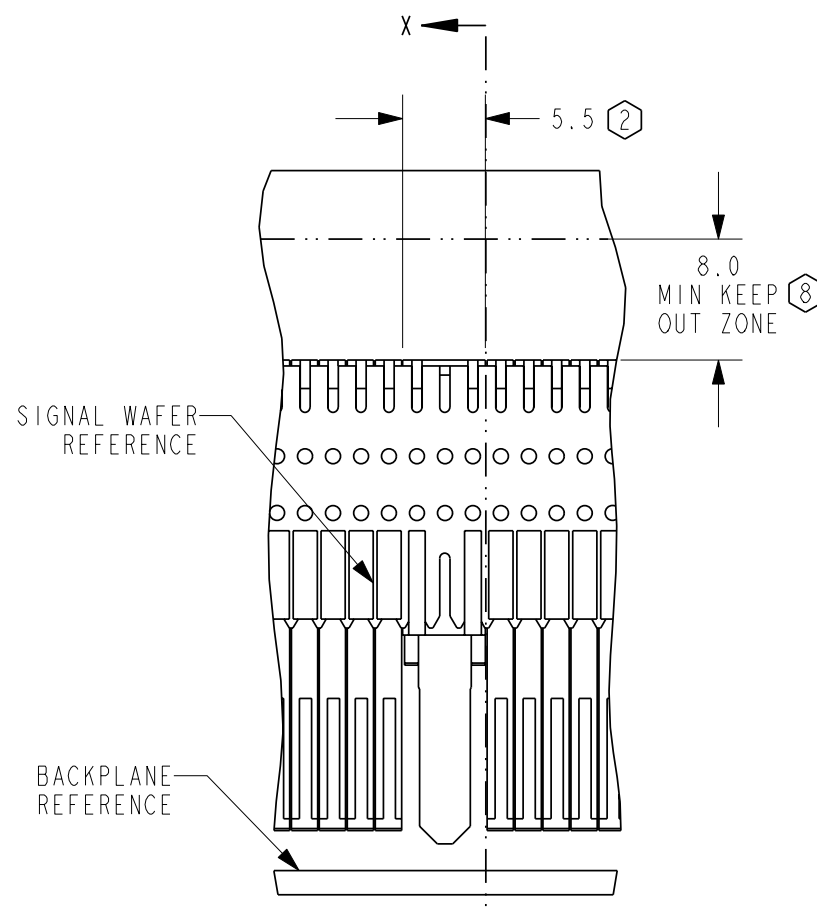


ZONE	REV	SCR NUMBER	DESCRIPTION	BY	DATE	APPROVED
ALL	-	DSMH-6BSMYX.VER01	NEW RELEASE	S.GAGNON	05/17/05	D.SMITH
	A	MLEE-6K9L68.VER01	REPLACED DRAWING FORMAT	R.CHIFFY	12/15/05	C.SAMMIS

TABLE I		
PART NUMBER	REV	PLATING
439-4100-000	-	30µin OF GOLD



- 9 GROUND ROWS ARE ROWS C, F AND I. ALL OTHER ROWS ARE SIGNAL ROWS.
- 8 FOR CONNECTOR REPAIRABILITY, USE KEEP OUT ZONE.
- 7 NOMINAL SEATED DIMENSION.
- 6. REFER TO TB-2085 FOR GbX PRODUCT SPECIFICATIONS AND TB-2103 FOR POWER APPLICATION GUIDE.
- 5 STATED PAD SIZE MAY REQUIRE FILLETING. SEE TB-2090 FOR ROUTING GUIDELINES.
- 4 NO SURFACE TRACES ALLOWED IN KEEP OUT ZONE.
- 3 WHEN USING ENDCAPS BETWEEN SIGNAL WAFERS AND POWER MODULES, ADD 1.85 mm FOR EACH ENDCAP. VIEW SHOWN WITHOUT ENDCAPS.
- 2 USE 5.55 mm NOMINAL FOR DAUGHTERCARD LAYOUT.
- 1 FOR EACH ADDITIONAL POWER MODULE, ADD 5.55 mm.

RECOMMENDED DAUGHTERCARD HOLE PATTERN CONNECTOR SIDE

TOLERANCES	DESIGN 01/24/03 M.DEROSA	Amphenol TCS A Division of Amphenol Corporation 44 Simon Street, Nashua, NH, 03060 603.879.3000
0.0 ±0.25	DRAWN 01/24/03 M.DEROSA	
0.00 ±0.13	CHK 01/24/03 J.DUNHAM	
0.000 ± -	APVD 05/17/05 D.SMITH	
ANGLES ± -		TITLE 3 PAIR GBX DC POWER ASSEMBLY
UNLESS OTHERWISE SPECIFIED DIMENSIONS ARE IN MM, DECIMAL MAKER IS PERIOD		PART NO. SEE TABLE I
CUSTOMER USE DRAWING CODE IDENT 31413		DRAWING NO. C-439-4100-500
		ProeASSEM P1031-CU-DC-PWR P1031-CU-DC-PWR .dwg
SIZE B	SCALE 2/1	SHEET 1 OF 1

DRW NO. C-439-4100-500
 SH I
 REV A