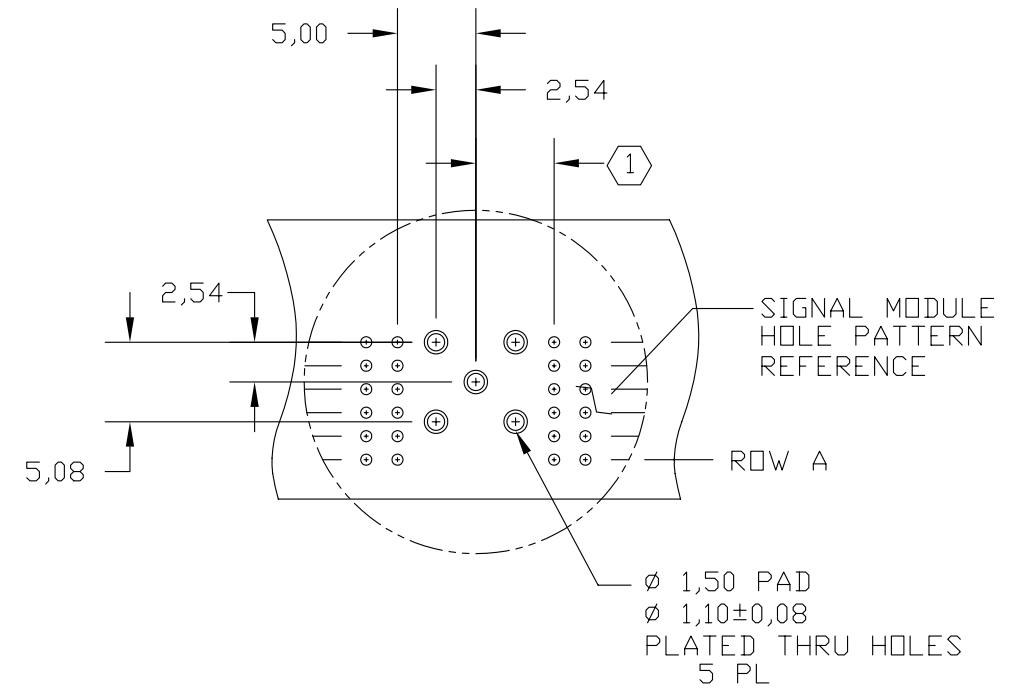
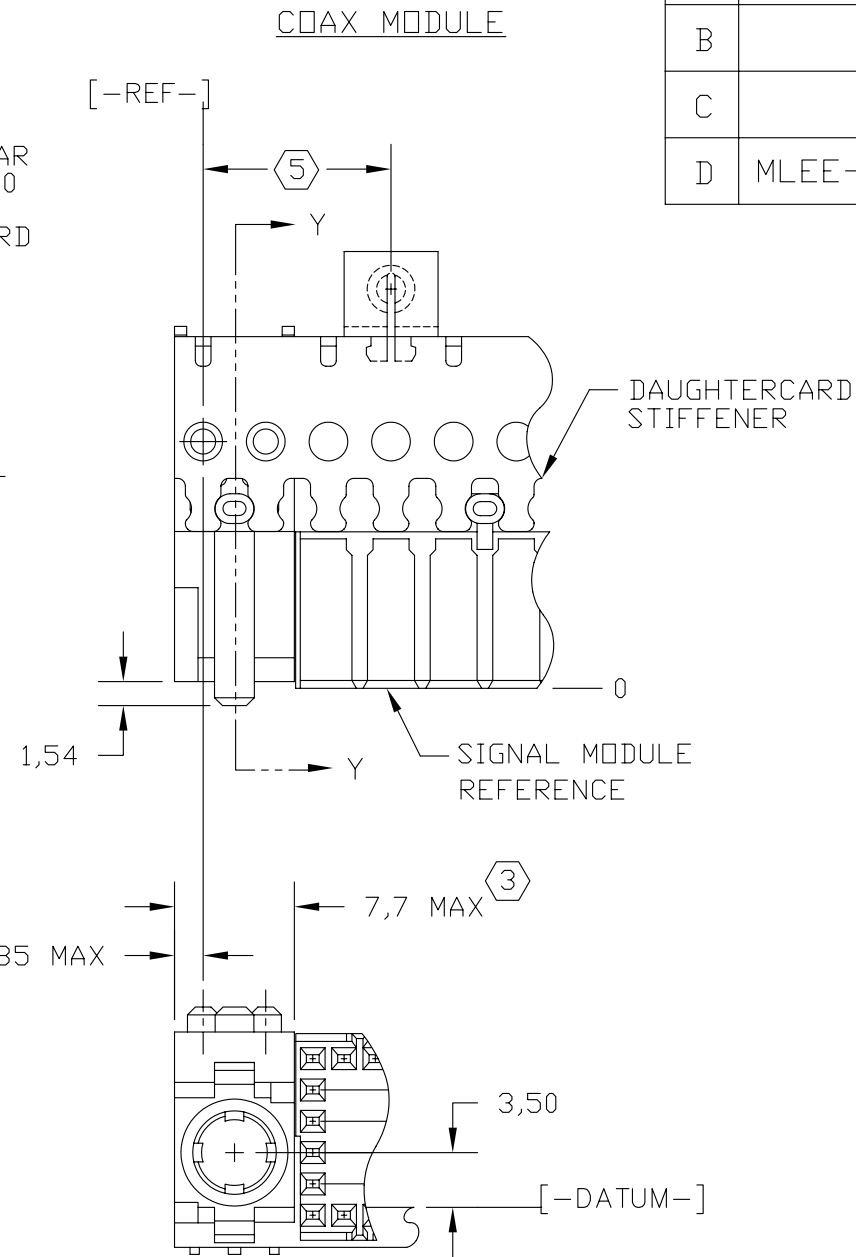
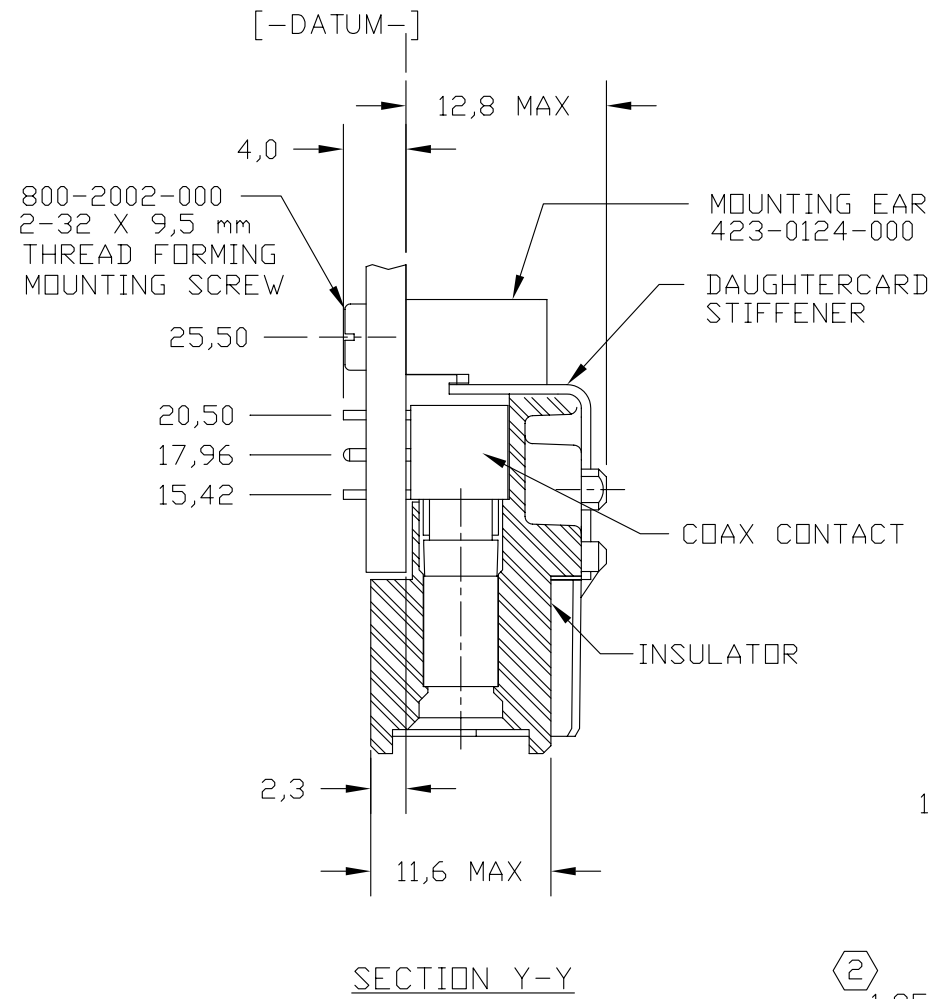


REV	SCR NO.	DESCRIPTION	BY	DATE	APPROVED
-	19253	NEW RELEASE	JV	4/25/96	D.Provencher
A	19539	DIM 4,0 WAS 3,2;	JV	5/25/96	D.Provencher
B	19950	UPDATED GEO PER DWG 458-0003-000;	JV	5/26/96	D.Provencher
C	22489	RELEASED INTO CMS	DM	10/6/97	L.McMAHON
D	MLEE-6K3PYK.VER01	UPDATED DRAWING FORMAT	ML	01/18/06	C.SAMMIS



DAUGHTERCARD HOLE PATTERN
COAX MODULE
CONNECTOR SIDE

7. DIMENSIONS AND TOLERANCES ARE IN MILLIMETERS AND INTENDED FOR LAYOUT AND INFORMATION PURPOSES ONLY.
6. FOR MATERIALS, FINISHES AND PART NUMBERING REFERENCE HDM PRODUCT SPECIFICATION TB2012.
- ⑤ PLACE MOUNTING EAR ON DATUM [-REF-] OR MULTIPLES OF 4 mm.
4. DIMENSIONS AND TOLERANCES SUBJECT TO CHANGE WITHOUT NOTICE.
- ③ USE 8,0 mm NOMINAL FOR DAUGHTERCARD LAYOUT.
- ② USE 2,00 mm NOMINAL FOR DAUGHTERCARD LAYOUT.
- NOTES: ① THIS DIMENSION MUST BE 5,00 mm OR (5,00 mm + MULTIPLE OF 4,00 mm).

TOLERANCES		DWN 4/25/96 J.Varhegyi	Amphenol TCS A Division of Amphenol Corporation 44 Simon Street, Nashua, N.H. 03060 (603) 879-3000
.0	± 0,25	CHK 4/25/96 D.Provencher	
.00	± 0,13	APVD 4/25/96 D.Provencher	
.000	± -		
ANGLES		± -	
UNLESS OTHERWISE SPECIFIED DIMENSIONS ARE IN MILLIMETERS			
CUSTOMER USE DRAWING		TITLE DAUGHTERCARD COAX MODULE ASSEMBLY HDM CONNECTOR	
 INTERPRET PER ANSI Y14.5		PART NO. 458-5003-000	REV B
CODE IDENT 31413		DRAWING NO. C-458-5003-000	REV D
SIZE B	SCALE 2/1	SHEET 1 OF 1	