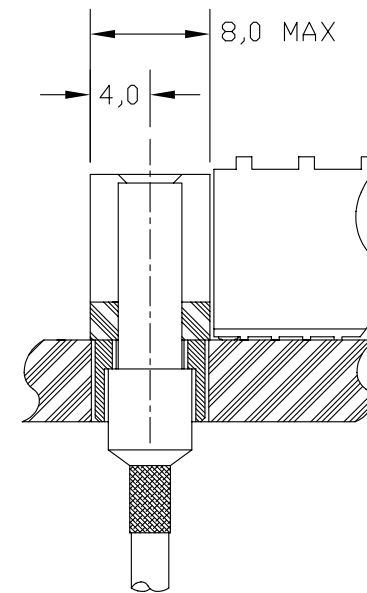
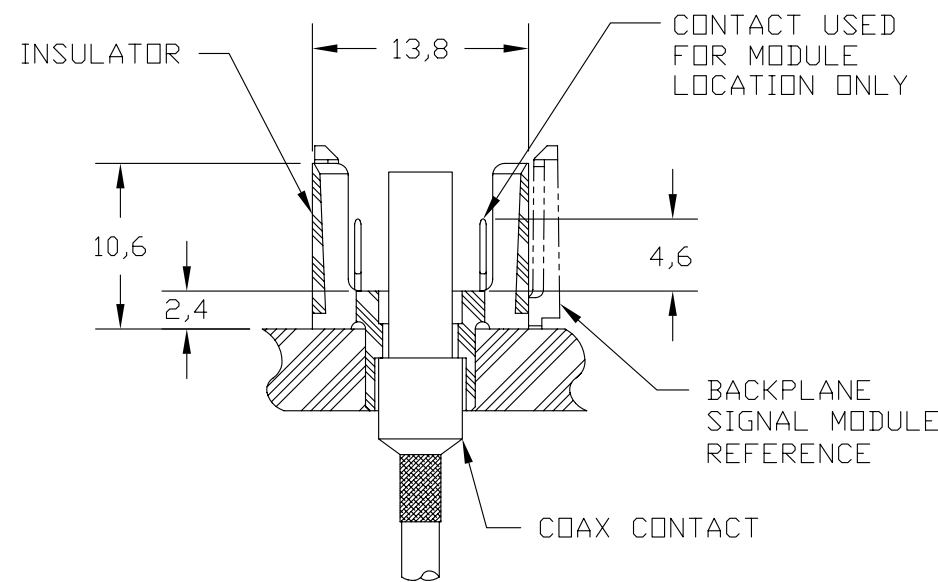
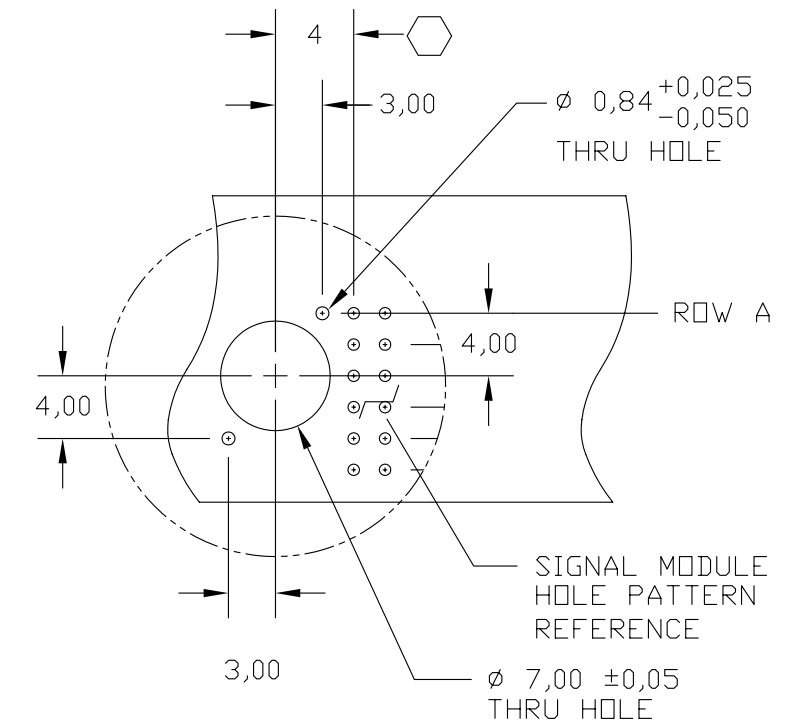
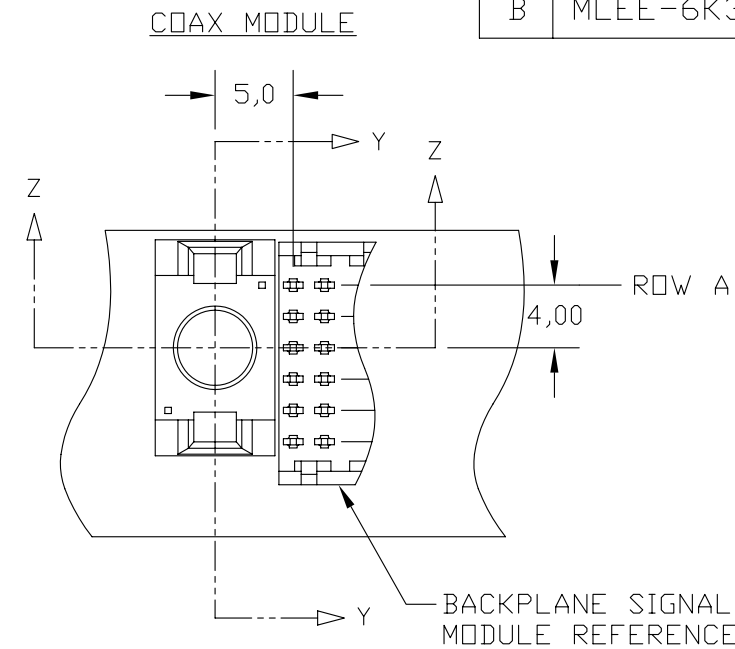
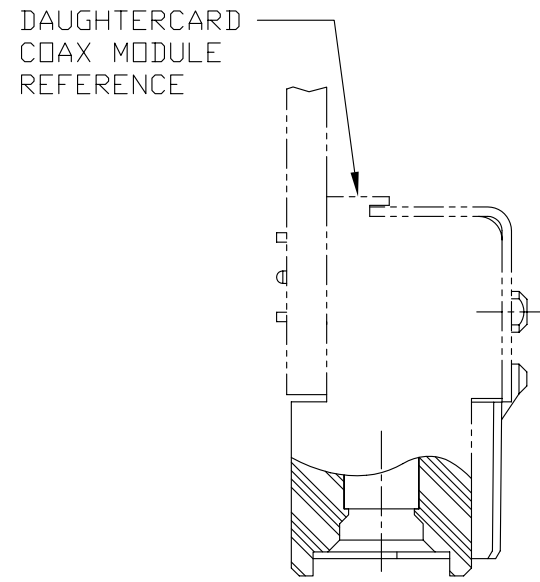


REV	SCR NO.	DESCRIPTION	BY	DATE	APPROVED
-	18931	NEW RELEASE	JV	2/28/96	Provencher
A	22489	RELEASED INTO CMS	DM	10/8/97	L.McMAHON
B	MLEE-6K3PYK.VER01	UPDATED DRAWING FORMAT	ML	01/18/06	C.SAMMIS



- 4 DIM TO BE 5,00 mm OR (5,00 mm + MULTIPLE OF 4,00 mm).
3. FOR MATERIAL, FINISHES AND PART NUMBERING REFERENCE HDM PRODUCT SPECIFICATION TB2012.
2. DIMENSIONS AND TOLERANCES SUBJECT TO CHANGE WITHOUT NOTICE.
- NOTES: 1. DIMENSIONS AND TOLERANCES ARE IN mm AND INTENDED FOR LAYOUT AND INFORMATION PURPOSES ONLY.

TOLERANCES		DWN 3/7/96 J.Varhegyi	<b>Amphenol TCS</b> A Division of Amphenol Corporation 44 Simon Street, Nashua, N.H. 03060 (603) 879-3000
.0	± 0,25	CHK 6/5/95 D.Provencher	
.00	± 0,13	APVD	
.000	± -	D.Provencher	
ANGLES ± -		TITLE BACKPLANE COAX MODULE ASSEMBLY HDM CONNECTOR	
UNLESS OTHERWISE SPECIFIED DIMENSIONS ARE IN MILLIMETERS			PART NO. 459-5004-000
CUSTOMER USE DRAWING			REV -
 INTERPRET PER ANSI Y14.5			DRAWING NO. C-459-5004-000
CODE IDENT 31413			REV B
SIZE B	SCALE 2/1	SHEET 1 OF 1	