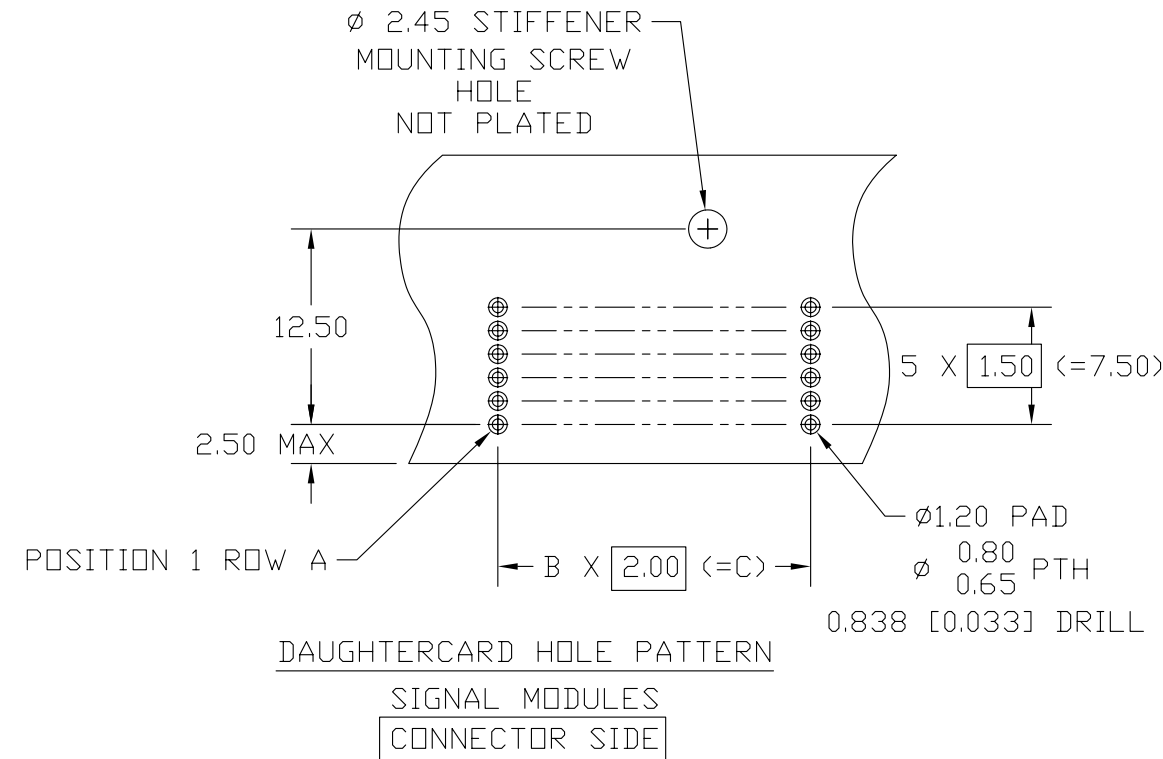


ASSEMBLY P/N (X)	P/N REV	TOTAL NUMBER OF SIGNAL CONTACTS	A MAX	B	C	NOTES
483-5124-XXX	-	144	48.0	23	46.00	CONTAINS LEAD
483-5112-XXX	-	72	24.0	11	22.00	CONTAINS LEAD
483-5324-XXX	-	144	48.0	23	46.00	LEAD FREE
483-5312-XXX	-	72	24.0	11	22.00	LEAD FREE

REV	SCR NO.	DESCRIPTION	BY	DATE	APPROVED
-	18848	NEW RELEASE	FR	3/15/96	G.GRASSET
A	22489	RELEASED INTO CMS	DM	10/6/97	L.MCAHON
B	39119	UPDATE TABLE I	SG	7/12/02	MUZZEY
C	40136	REMOVED NOTE 7	SG	10/4/02	MUZZEY
D	DMAG-6DZNY.VER01	ADDED LEAD FREE PLATING OPTION	SG	07/08/05	S.BAIR
E	MLEE-6K4PWM.VER01	UPDATED DRAWING FORMAT	ML	01/18/06	C.SAMMIS

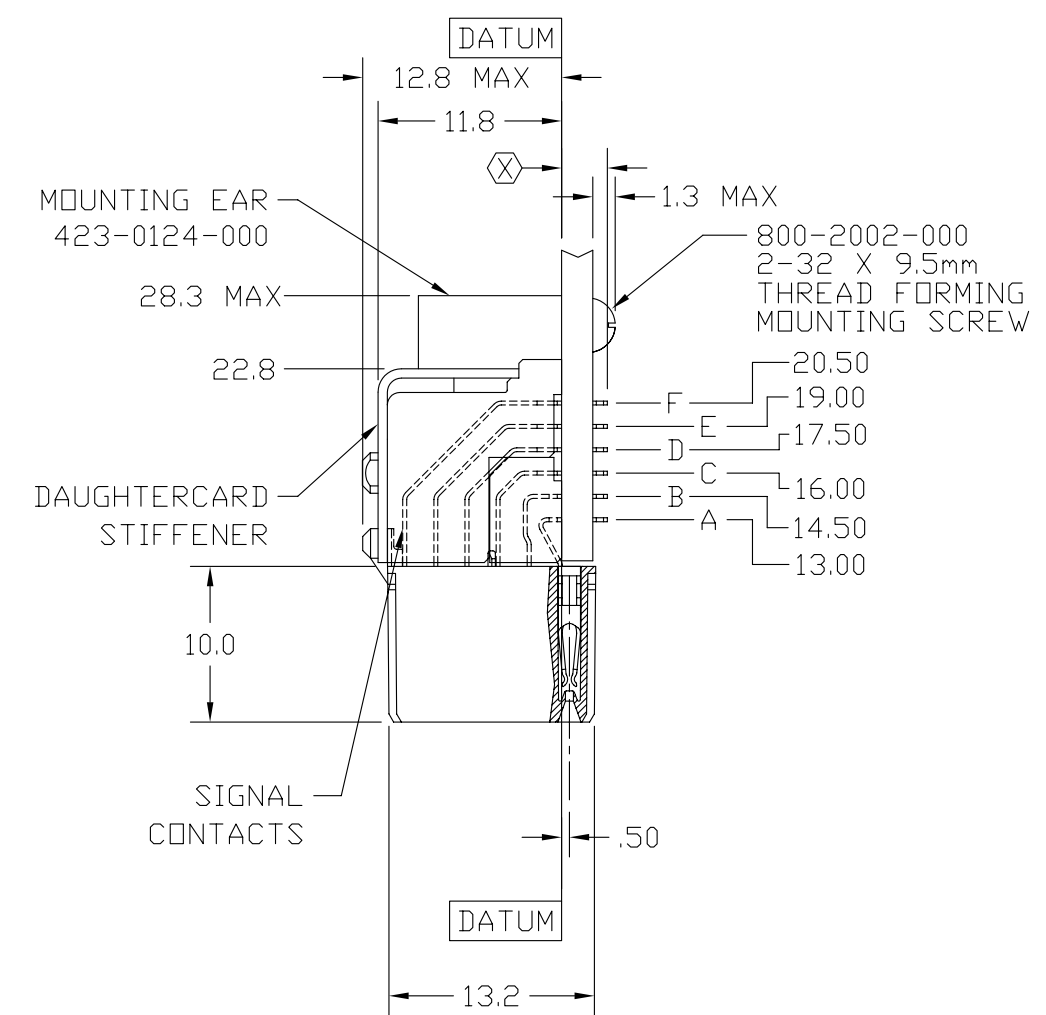
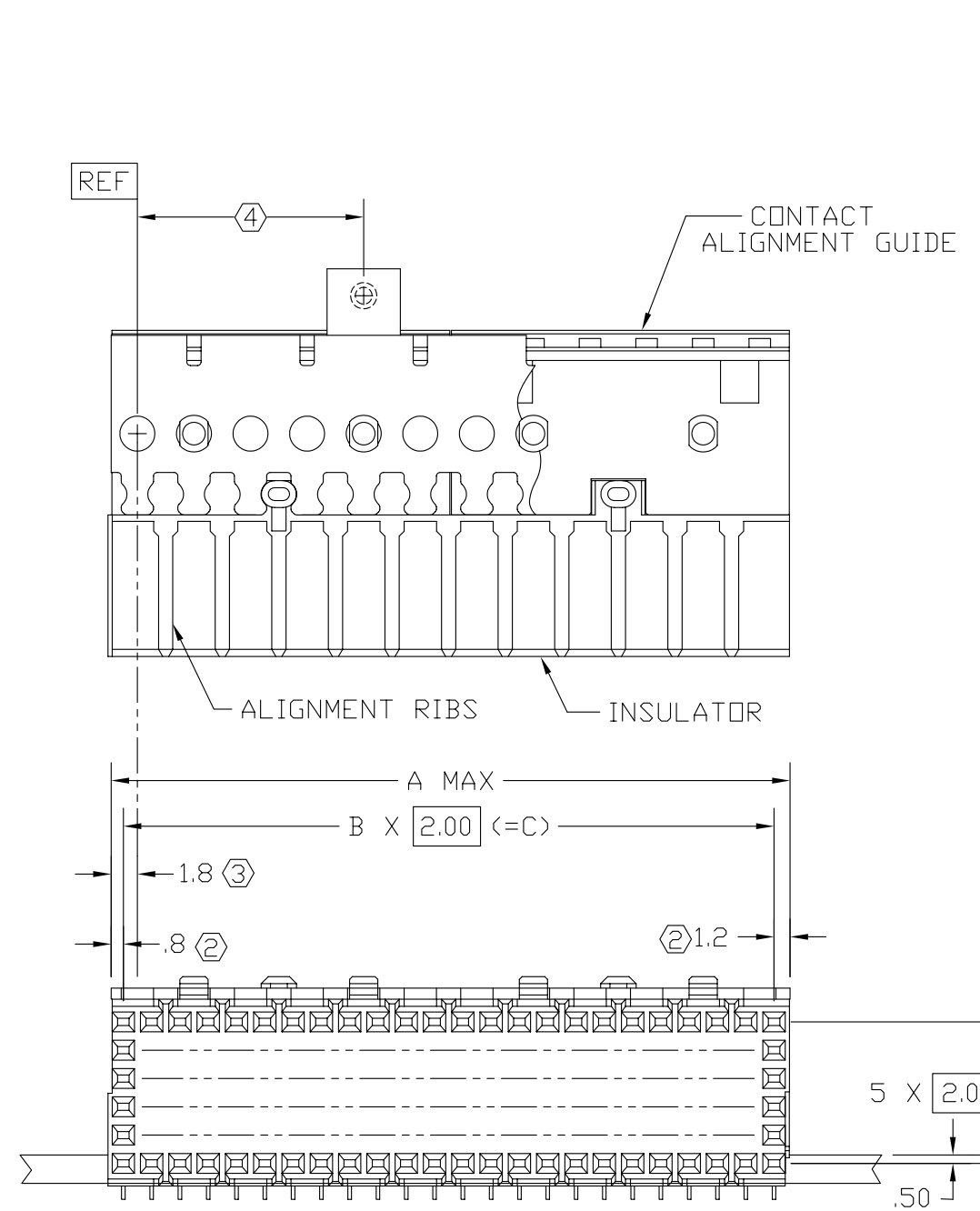
(X)	TAIL LENGTH
200	2.00 ±0.25
220	2.20 ±0.25
250	2.50 ±0.25
275	2.75 ±0.25
300	3.00 ±0.25
350	3.50 ±0.25
400	4.00 ±0.25
450	4.50 ±0.25



TOLERANCES		DWN 2/22/96	Amphenol TCS A Division of Amphenol Corporation 44 Simon Street, Nashua, N.H. 03060 (603) 879-3000
0,0	±0.25	F.ROTONDO	
0,00	±0.13	CHK D.PROVENCHER	
0,000	± -	APVD	
ANGLES	± -	G.GRASSET	
UNLESS OTHERWISE SPECIFIED DIMENSIONS ARE IN MILLIMETERS			TITLE DAUGHTERCARD MODULE ASSEMBLY HDM CONNECTOR
CUSTOMER USE DRAWING		PART NO. SEE TABLE I	REV -
 INTERPRET PER ANSI Y14.5		DRAWING NO. C-483-5124-000	REV E
CODE IDENT 31413	SIZE B	SCALE 2/1	SHEET 1 OF 2

DWG NO. C-483-5124-000 SH 1 REV E

REV	SCR NO.	DESCRIPTION	BY	DATE	APPROVED
		SEE SHEET 1			



- 6. DIMENSIONS AND TOLERANCES SUBJECT TO CHANGES WITHOUT NOTICE.
- 5. DIMENSIONS AND TOLERANCES ARE IN MILLIMETERS AND INTENDED FOR LAYOUT AND INFORMATION PURPOSES ONLY.
- ④ PLACE MOUNTING EAR ON REF DATUM OR MULTIPLES OF 4mm.
- ③ USE 2.0MM NOMINAL FOR DAUGHTERCARD LAYOUT.
- ② USE 1.00mm NOMINAL FOR DAUGHTERCARD LAYOUT.

NOTES: 1. FOR MATERIALS, FINISHES AND PART NUMBERING, REFERENCE HDM PRODUCT SPECIFICATION TB-2012.

TOLERANCES		DWN 2/22/96 F.ROTONDO	Amphenol TCS A Division of Amphenol Corporation 44 Simon Street, Nashua, NH. 03060 (603) 879-3000
0,0	±0.25	CHK	
0,00	±0.13	D.PROVENCHER	TITLE DAUGHTERCARD MODULE ASSEMBLY HDM CONNECTOR
0,000	± -	APVD	
ANGLES	± -	G.GRASSET	PART NO. SEE TABLE I REV -
UNLESS OTHERWISE SPECIFIED DIMENSIONS ARE IN MILLIMETERS			
CUSTOMER USE DRAWING			DRAWING NO. C-483-5124-000 REV E
 INTERPRET PER ANSI Y14.5			SIZE B SCALE 2/1 SHEET 2 OF 2
CODE IDENT 31413			

DWG NO. C-483-5124-000 SH 2 REV E