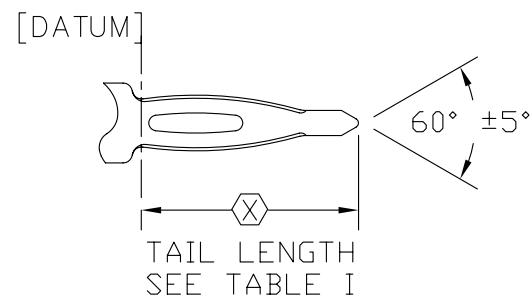
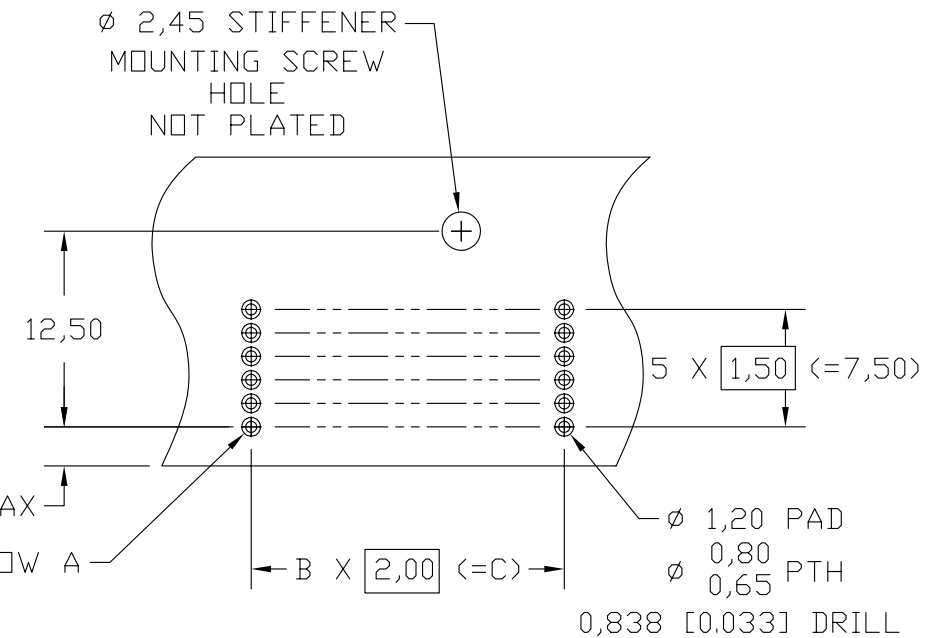
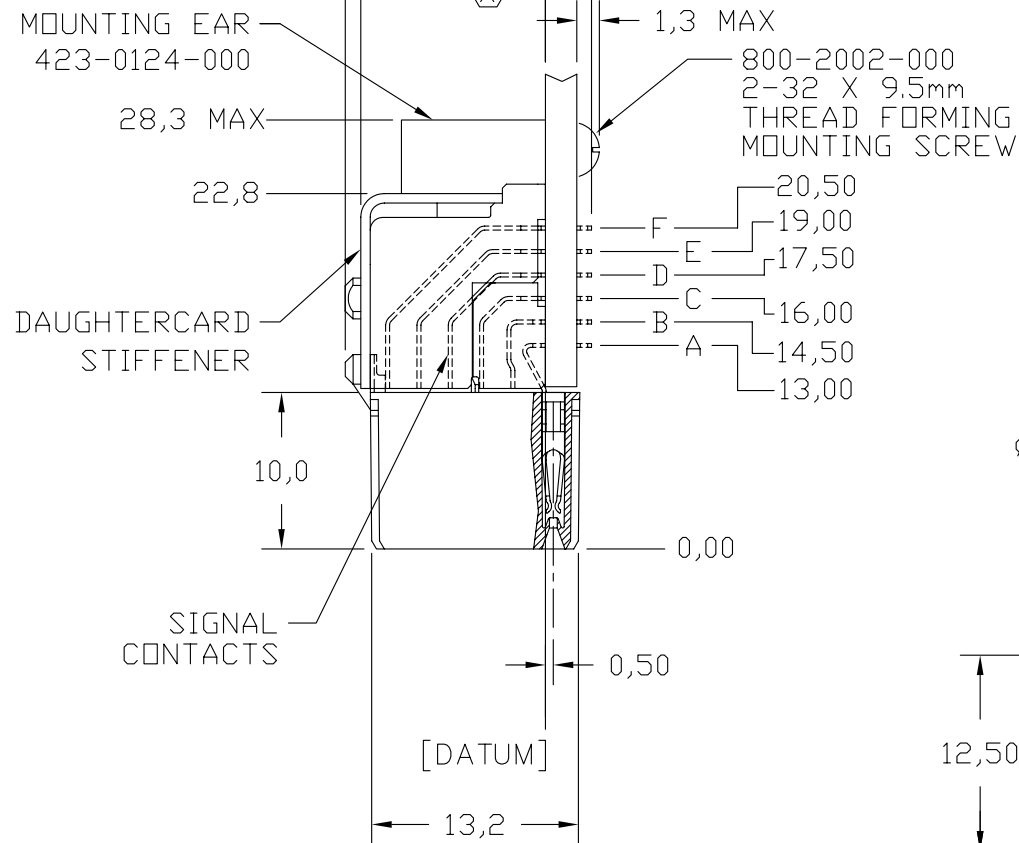
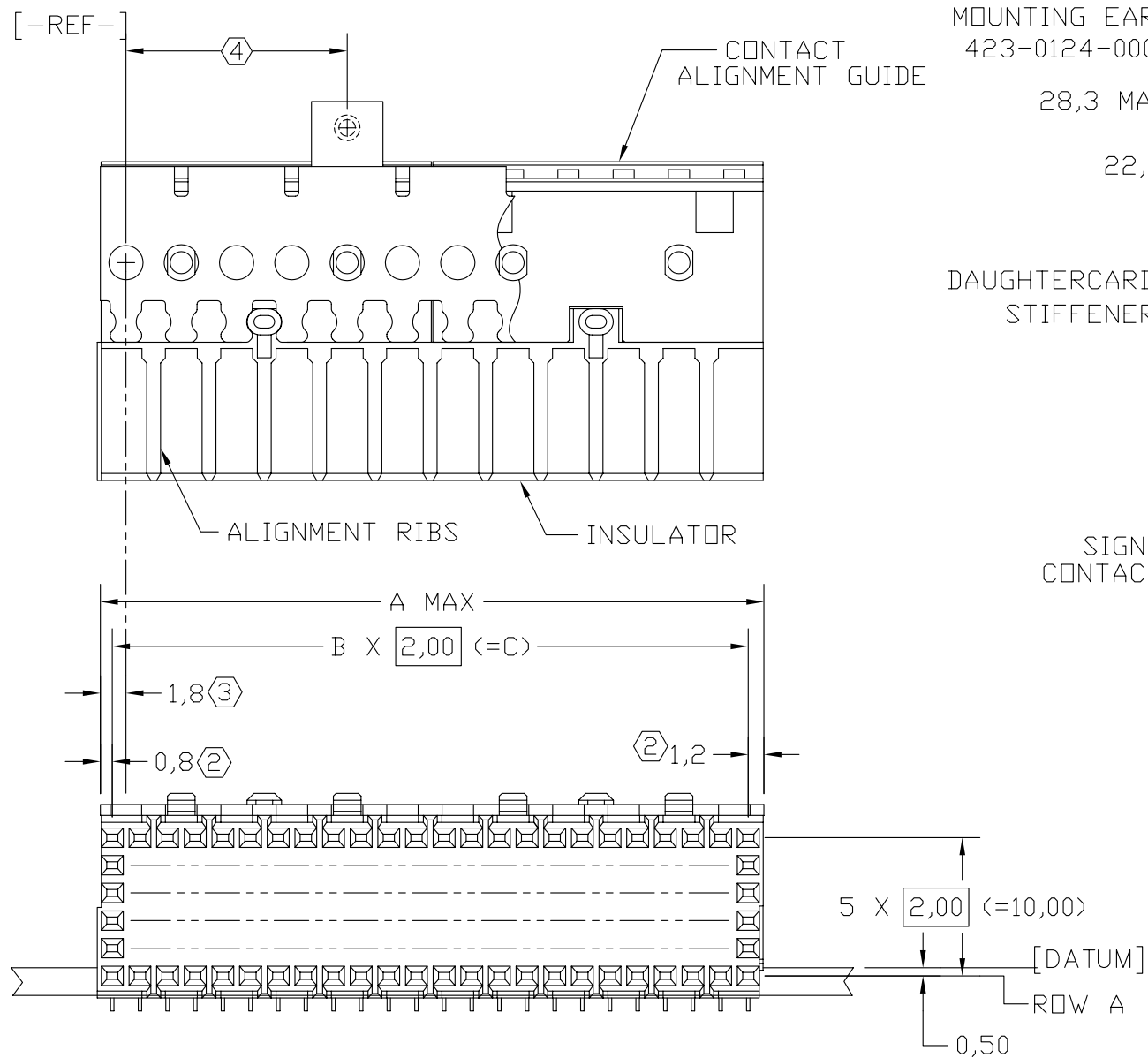


REV	SCR NO.	DESCRIPTION	BY	DATE	APPROVED
-	19733	NEW RELEASE	JV	7/29/96	D.Provencher
A	22489	RELEASED INTO CMS	DM	10/6/97	L.McMAHON
B	MLEE-6K4PWM.VER01	UPDATED DRAWING FORMAT	ML	01/18/06	C.SAMMIS

ASSEMBLY P/N (X)	P/N REV	TOTAL NUMBER OF SIGNAL CONTACTS	A MAX	B	C
483-5224-XXX	-	144	48,0	23	46,00
483-5212-XXX	-	72	24,0	11	22,00

(X)	TAIL LENGTH
300	3,00 ±0,25
350	3,50 ±0,25
400	4,00 ±0,25



- 6. DIMENSIONS AND TOLERANCES SUBJECT TO CHANGES WITHOUT NOTICE.
- 5. DIMENSIONS AND TOLERANCES ARE IN MILLIMETERS AND INTENDED FOR LAYOUT AND INFORMATION PURPOSES ONLY.
- (4) PLACE MOUNTING EAR ON [-REF-] DATUM OR MULTIPLES OF 4mm.
- (3) USE 2.0MM NOMINAL FOR DAUGHTERCARD LAYOUT.
- (2) USE 1.00mm NOMINAL FOR DAUGHTERCARD LAYOUT.

NOTES: 1. FOR MATERIALS, FINISHES AND PART NUMBERING, REFERENCE HDM PRODUCT SPECIFICATION TB-2012.

TOLERANCES		DWN 2/22/96 J.Varhegyi	Amphenol TCS A Division of Amphenol Corporation 44 Simon Street, Nashua, NH. 03060 (603) 879-3000
.0	± 0,25	CHK 7/29/96 D.B.P.	
.00	± 0,13	APVD 7/29/96 D.B.P.	
.000	± -		
ANGLES	± -		
UNLESS OTHERWISE SPECIFIED DIMENSIONS ARE IN MILLIMETERS			TITLE DAUGHTERCARD MODULE ASSEMBLY, PRESS FIT HDM CONNECTOR
CUSTOMER USE DRAWING		PART NO. SEE TABLE II	REV -
DRAWING NO. C-483-5224-500			REV B
CODE IDENT 31413	SIZE B	SCALE 2/1	SHEET 1 OF 1