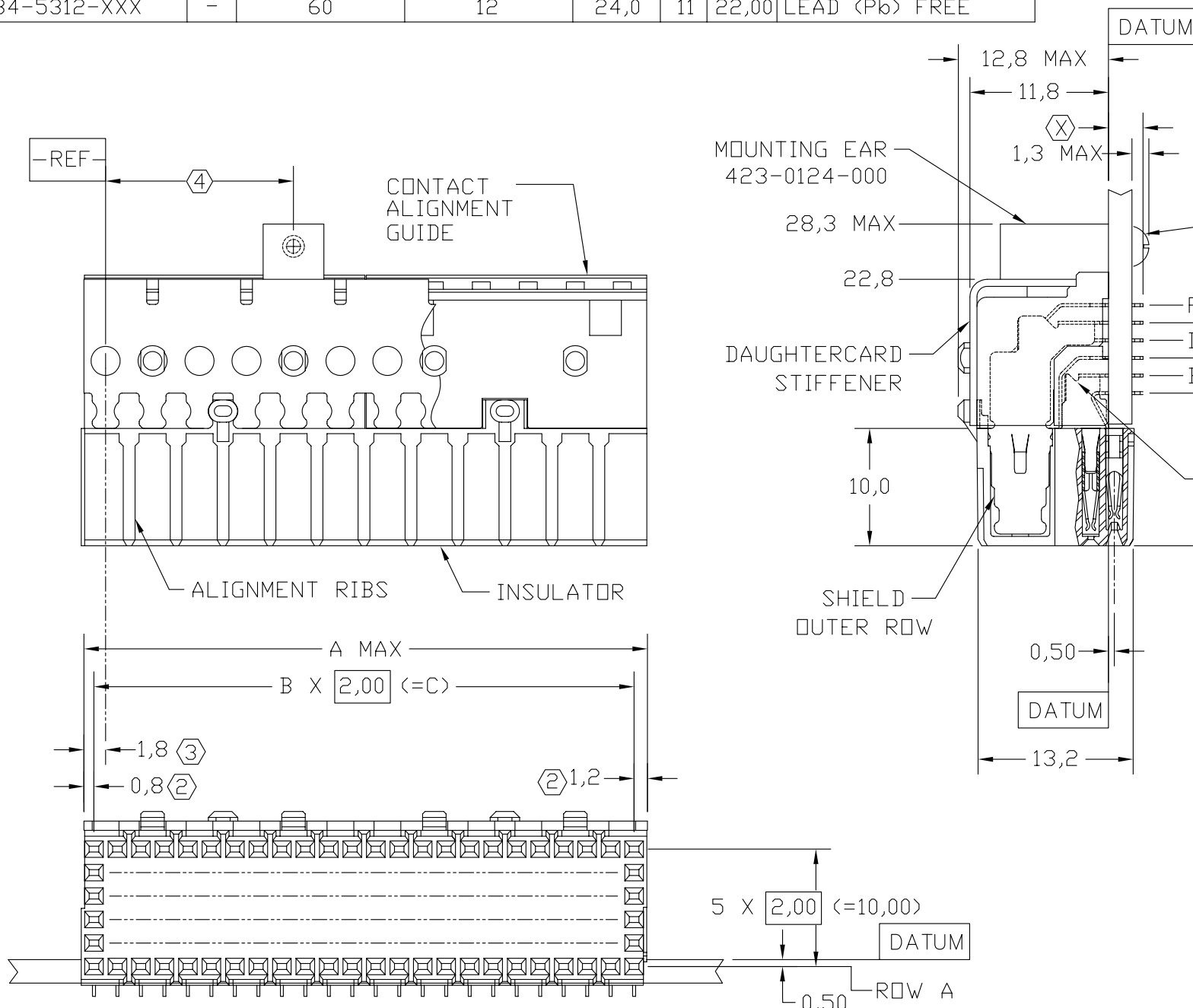


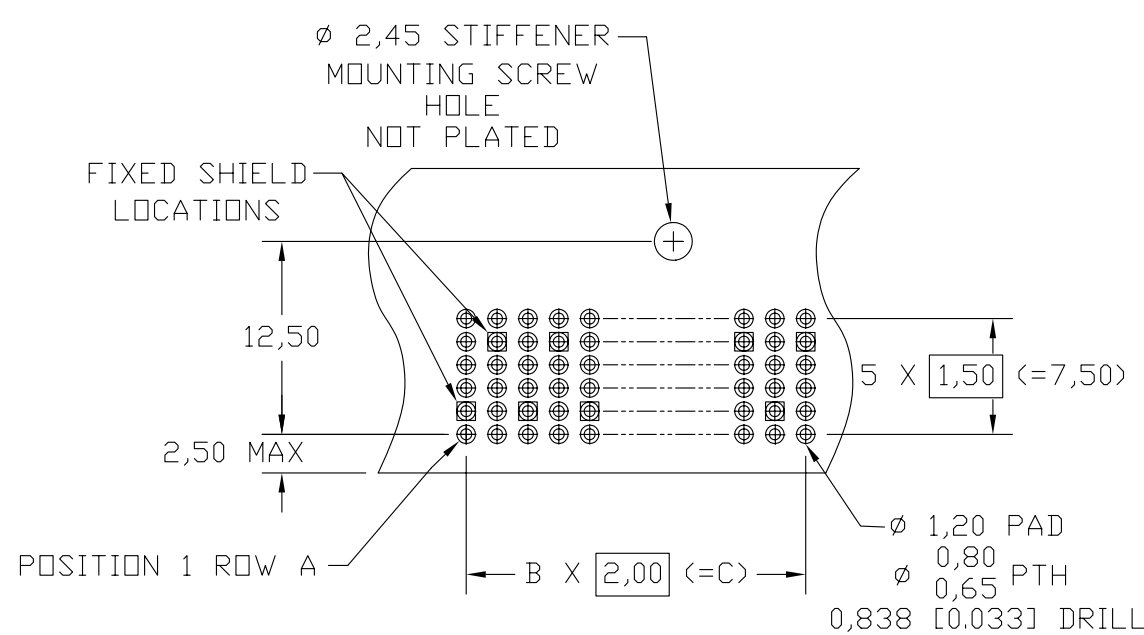
TABLE II

ASSEMBLY P/N (X)	P/N REV	TOTAL NUMBER OF SIGNAL CONTACTS	TOTAL NUMBER OF SHIELD CONTACTS	A MAX	B	C	FINISH
484-5124-XXX	-	120	24	48,0	23	46,00	CONTAINS LEAD (Pb)
484-5112-XXX	-	60	12	24,0	11	22,00	CONTAINS LEAD (Pb)
484-5324-XXX	-	120	24	48,0	23	46,00	LEAD (Pb) FREE
484-5312-XXX	-	60	12	24,0	11	22,00	LEAD (Pb) FREE

REV	SCR NO.	DESCRIPTION	BY	DATE	APPROVED
-	18848	NEW_RELEASE	JV	2/23/96	D.B.P.
A	19761	ADDED SHIELD RECEPTACLE TO SECTION VIEW;	JV	8/1/96	D.B.P.
B	22489	RELEASED INTO CMS	DM	10/8/97	L.McMAHON
C	33556	REMOVE "PRESS FIT" FROM TITLE	RV	02/05/01	D.SMITH
D	39119	UPDATE TABLE I	SG	7/12/02	MUZZEY
E	40136	REMOVED NOTE 7	SG	10/4/02	MUZZEY
F	DMAG-6DEG54.VER01	ADDED LEAD FREE OPTION	ED	6/17/05	S.BAIR
G	MLEE-6K4PWM.VER01	REPLACED DRAWING FORMAT	ML	01/18/06	C.SAMMIS



800-2002-000
2-32 X 9,5mm
THREAD FORMING
MOUNTING SCREW



DAUGHTERCARD HOLE PATTERN
SIGNAL MODULES
CONNECTOR SIDE

TABLE I

X	TAIL LENGTH
200	2.00 ±0.25
220	2.20 ±0.25
250	2.50 ±0.25
275	2.75 ±0.25
300	3.00 ±0.25
350	3.50 ±0.25
400	4.00 ±0.25
450	4.50 ±0.25

TOLERANCES

0.0	±0.15	DWN 7/30/96 J.VARHEGY
0.00	±0.10	CHK 7/30/96 DBP
0.000	±	APVD 7/30/96 D.PROVENTURE
ANGLES	± 2°	

Amphenol TCS
A Division of Amphenol Corporation
44 Simon Street, Nashua, N.H. 03060 (603) 879-3000

TITLE
DC MODULE ASSEMBLY
HDM+ CONNECTOR

UNLESS OTHERWISE SPECIFIED
DIMENSIONS ARE IN MILLIMETERS

THESE DRAWINGS AND SPECIFICATIONS
ARE THE PROPERTY OF
TERADYNE CONNECTION SYSTEMS, INC.
AND SHALL NOT BE REPRODUCED OR
COPIED OR USED AS THE BASIS FOR
THE MANUFACTURE OR SALE OF APPARATUS
WITHOUT THE WRITTEN PERMISSION OF
TERADYNE CONNECTION SYSTEMS, INC.

PART NO.	SEE TABLE II	REV	
DRAWING NO.	C-484-5124-000	REV	G
SIZE	B	SCALE	2/1
		SHEET	1 OF 1

- 6. DIMENSIONS AND TOLERANCES SUBJECT TO CHANGES WITHOUT NOTICE.
- 5. DIMENSIONS AND TOLERANCES ARE IN MILLIMETERS AND INTENDED FOR LAYOUT AND INFORMATION PURPOSES ONLY.
- ④ PLACE MOUNTING EAR ON -REF DATUM OR MULTIPLES OF 4mm.
- ③ USE 2.0MM NOMINAL FOR DAUGHTERCARD LAYOUT.
- ② USE 1.00mm NOMINAL FOR DAUGHTERCARD LAYOUT.

NOTES: 1. FOR MATERIALS, FINISHES AND PART NUMBERING, REFERENCE HDM PRODUCT SPECIFICATION TB2012.

DWG NO. C-484-5124-000 SH 1 REV G