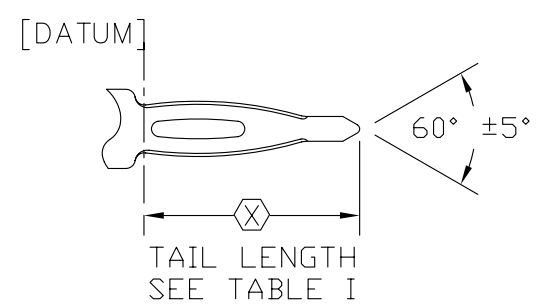
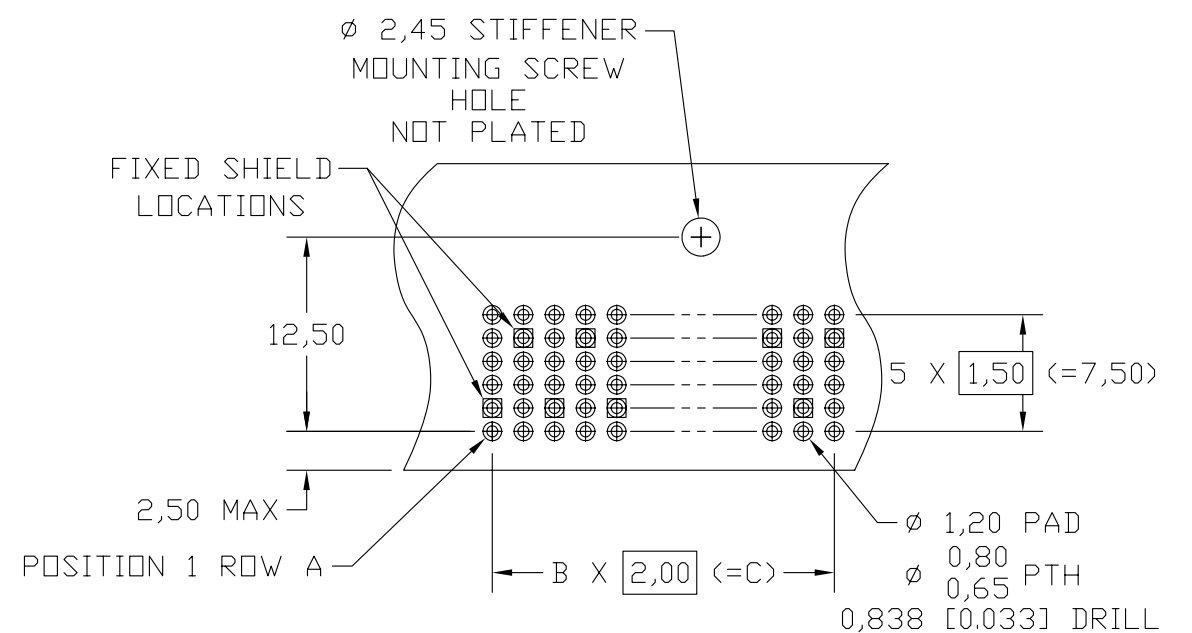
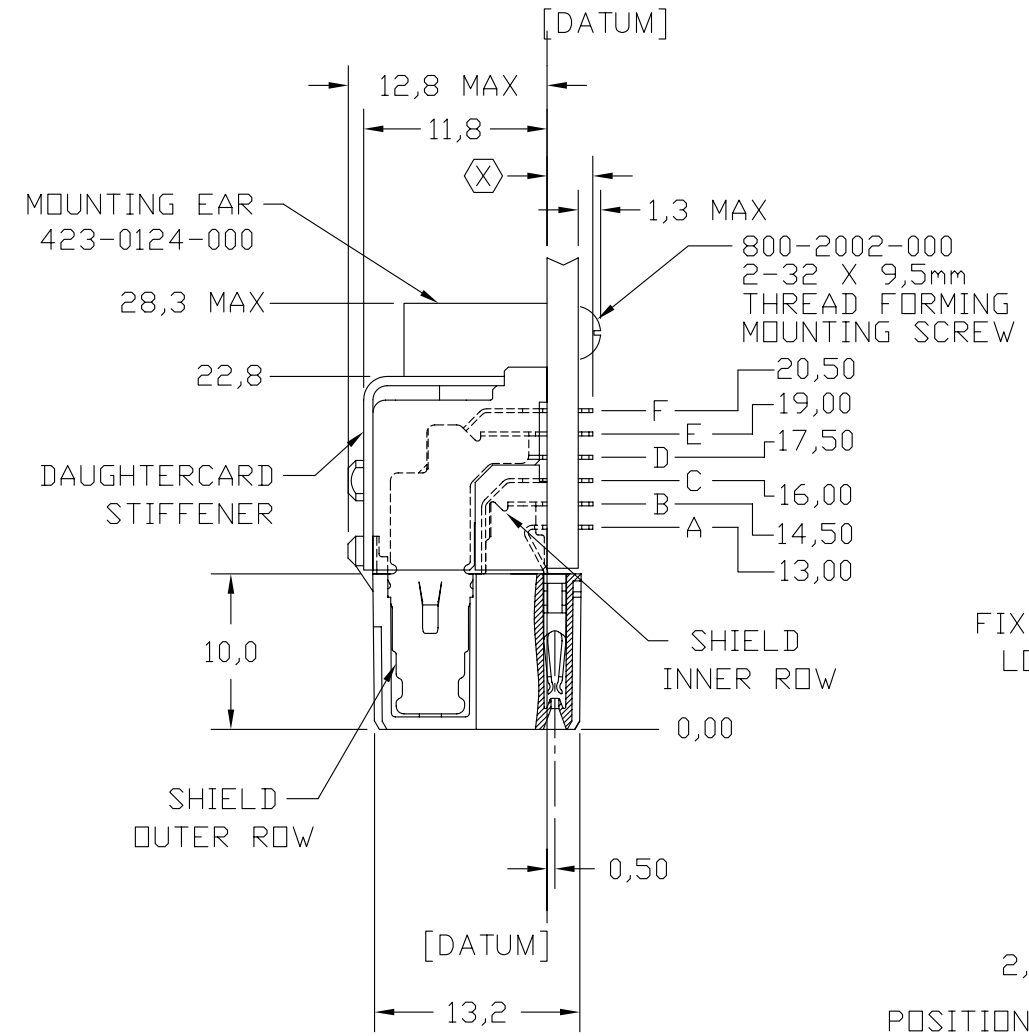
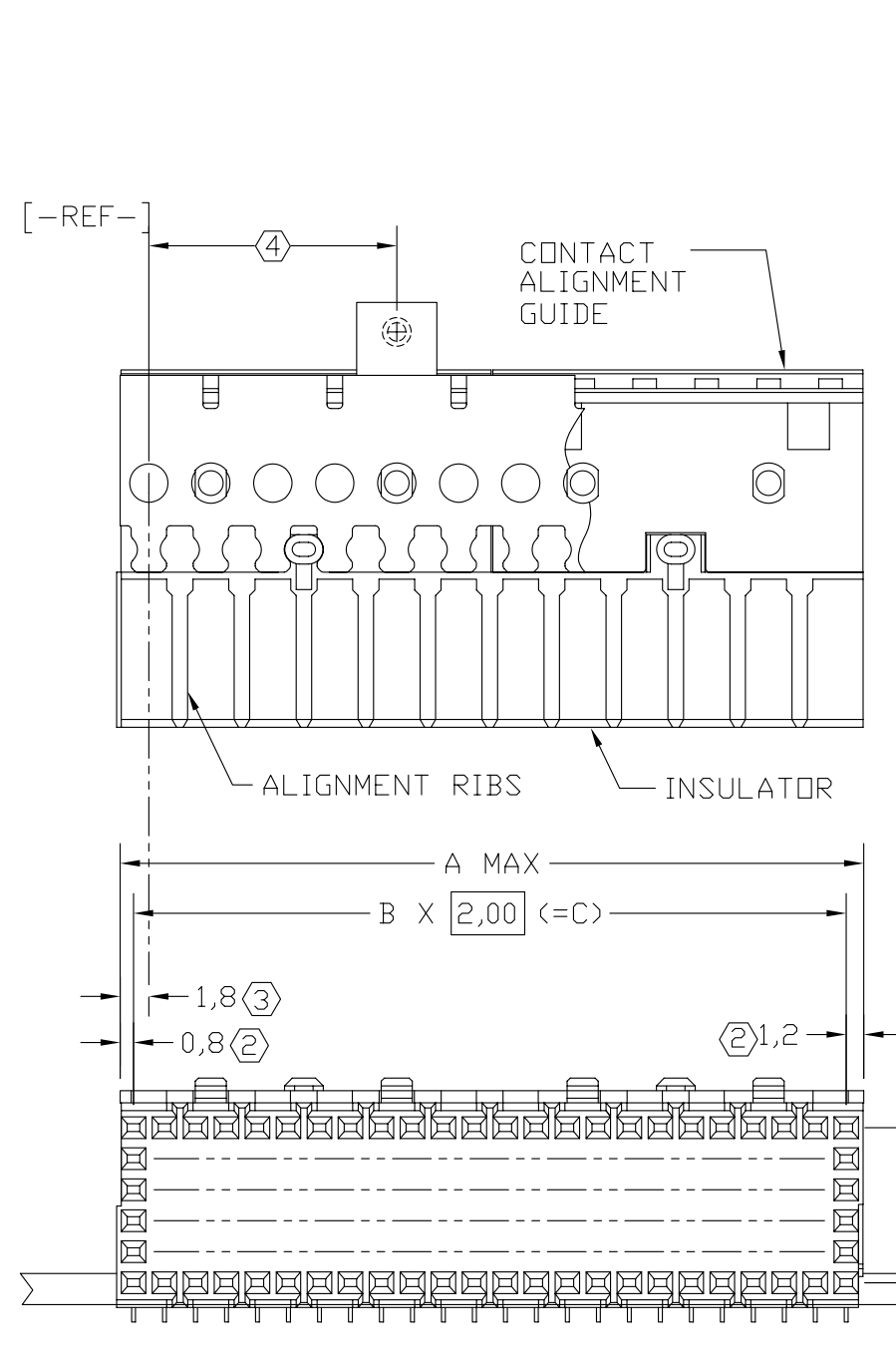


ASSEMBLY P/N (X)	P/N REV	TOTAL NUMBER OF SIGNAL CONTACTS	TOTAL NUMBER OF SHIELD CONTACTS	A MAX	B	C
484-5224-XXX	-	120	24	48,0	23	46,00
484-5212-XXX	-	60	12	24,0	11	22,00

(X)	TAIL LENGTH
300	3,00 ±0,25
350	3,50 ±0,25
400	4,00 ±0,25

REV	SCR NO.	DESCRIPTION	BY	DATE	APPROVED
-	19734	NEW RELEASE	JV	7/29/96	D.Provencher
A	22489	RELEASED INTO CMS	DM	10/8/97	L.McMAHON
B	MLEE-6K4PWM.VER01	UPDATED DRAWING FORMAT	ML	01/18/06	C.SAMMIS



DAUGHTERCARD HOLE PATTERN
SIGNAL MODULES
CONNECTOR SIDE

- 6. DIMENSIONS AND TOLERANCES SUBJECT TO CHANGES WITHOUT NOTICE.
- 5. DIMENSIONS AND TOLERANCES ARE IN MILLIMETERS AND INTENDED FOR LAYOUT AND INFORMATION PURPOSES ONLY.
- (4) PLACE MOUNTING EAR ON [-REF-] DATUM OR MULTIPLES OF 4mm.
- (3) USE 2.0MM NOMINAL FOR DAUGHTERCARD LAYOUT.
- (2) USE 1.00mm NOMINAL FOR DAUGHTERCARD LAYOUT.

NOTES: 1. FOR MATERIALS, FINISHES AND PART NUMBERING, REFERENCE HDM PRODUCT SPECIFICATION TB2012.

TOLERANCES	DWN 7/30/96 J.Varhegyi	Amphenol TCS A Division of Amphenol Corporation 44 Simon Street, Nashua, NH. 03060 (603) 879-3000	TITLE	DAUGHTERCARD MODULE ASSEMBLY, PRESS FIT HDM+ CONNECTOR
.0 ± 0,25	CHK 7/29/96 D.B.P.		PART NO.	SEE TABLE II
.00 ± 0,13	APVD 7/29/96 D.B.P.		DRAWING NO.	C-484-5224-500
.000 ± -			SIZE	B
ANGLES ± -		SCALE	2/1	SHEET 1 OF 1
UNLESS OTHERWISE SPECIFIED DIMENSIONS ARE IN MILLIMETERS		CUSTOMER USE DRAWING		
INTERPRET PER ANSI Y14.5 CODE IDENT 31413				

DWG NO. C-484-5224-500
 SH 1 REV B