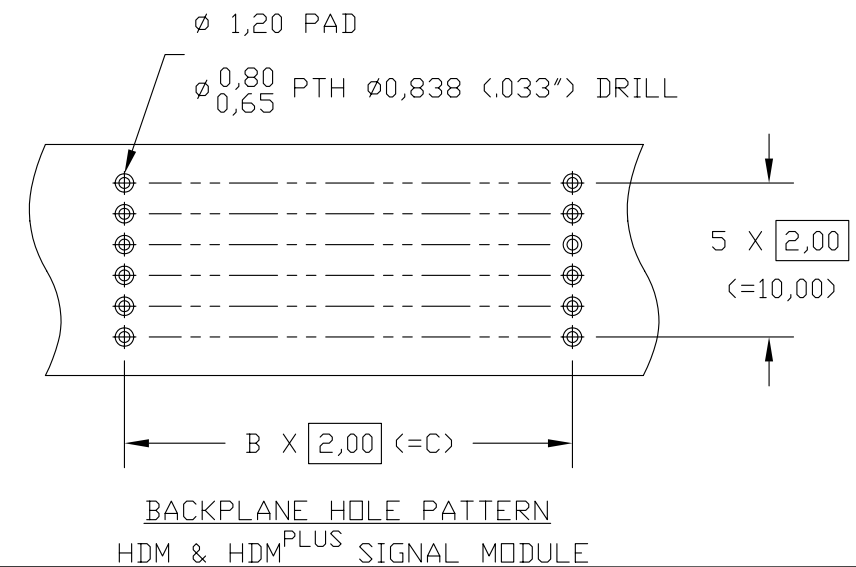
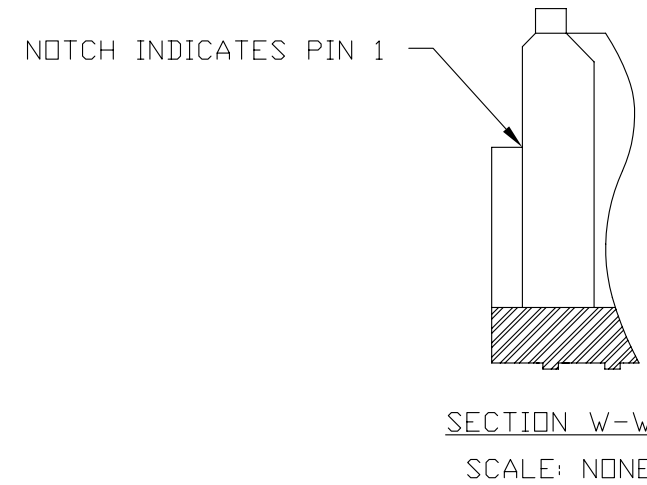
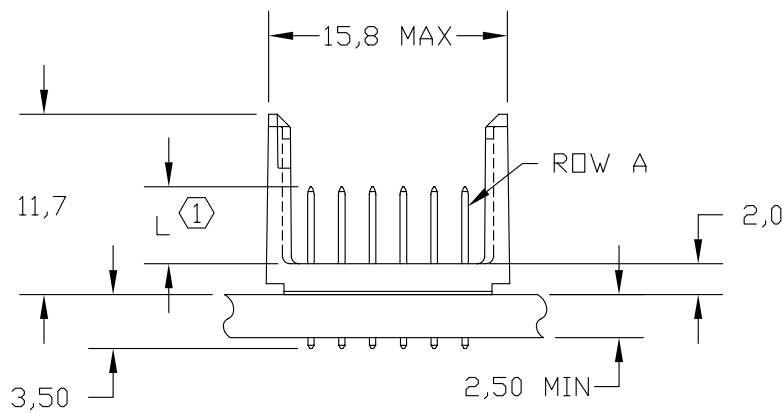
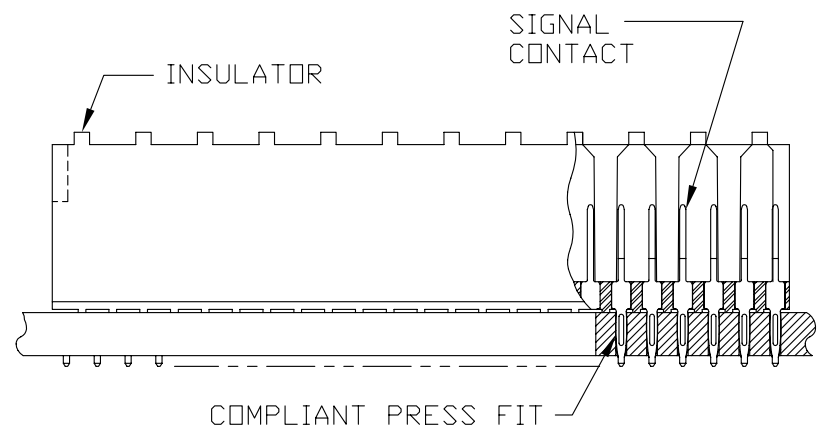
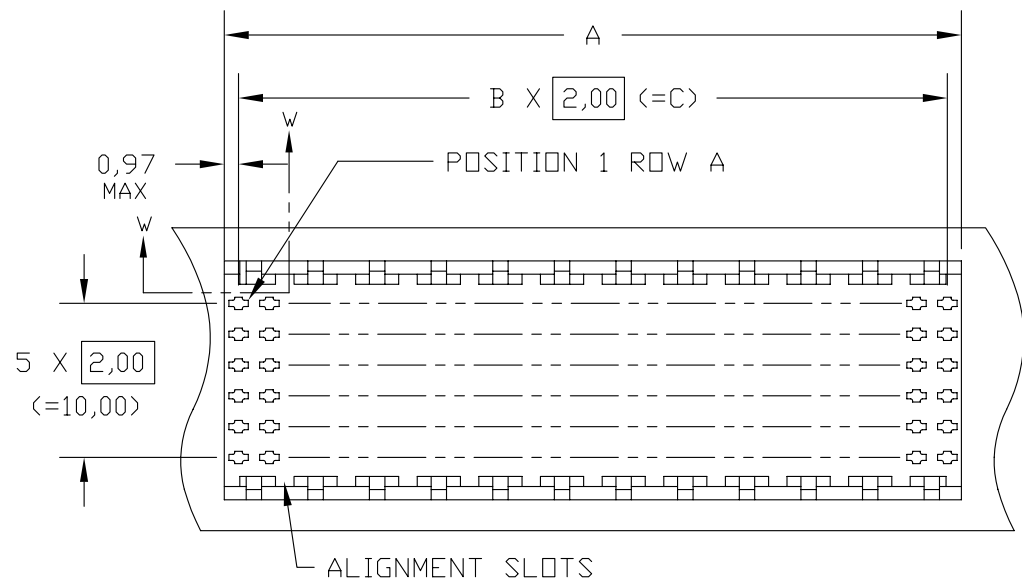


ASSEMBLY P/N	REV	TOTAL NUMBER OF SIGNAL CONTACTS	A MAX	B	C	DIM L
485-5024-000	-	144	48,0	23	46,00	5,0
485-5012-000	-	72	24,0	11	22,00	5,0
485-5024-001	-	144	48,0	23	46,00	6,0
485-5012-001	-	72	24,0	11	22,00	6,0

REV	SCR NO.	DESCRIPTION	BY	DATE	APPROVED
-	13369	NEW RELEASE	JV	8/30/93	B.HOWARD
A	18427	CHGD PTH SIZE; SEE SCR	FR	12/5/96	G.GRASSETT
B	19071	SEE SCR	FR	4/8/96	G.GRASSETT
C	22489	RELEASED INTO CMS	DM	10/7/97	L.McMAHON
D	MLEE-6K4PWM.VER01	UPDATED DRAWING FORMAT	ML	01/18/06	C.SAMMIS



TOLERANCES	DWN	CHK	APVD	TITLE
0,0 ± 0,25	2/17/93	J.VARHEGYI	2/17/93	Amphenol TCS
0,00 ± 0,13		M.WIDMAYER	2/17/93	A Division of Amphenol Corporation 44 Simon Street, Nashua, NH. 03060 (603) 879-3000
0,000 ± -		B.HOWARD		TITLE
ANGLES ± -				BACKPLANE MODULE ASSEMBLY
UNLESS OTHERWISE SPECIFIED DIMENSIONS ARE IN MILLIMETERS				HDM & HDM ^{PLUS} SIGNAL MODULE
CUSTOMER USE DRAWING		PART NO.		REV
		SEE TABLE		
DRAWING NO.		REV		
C-485-5024-000		D		
CODE IDENT	SIZE	SCALE	SHEET	
31413	B	2/1	1 OF 1	

3. DIMENSIONS AND TOLERANCES SUBJECT TO CHANGE WITHOUT NOTICE.

2. DIMENSIONS AND TOLERANCES ARE IN mm AND INTENDED FOR INFORMATION PURPOSES ONLY.

NOTES: ① SEE HDM PRODUCT SPECIFICATION TB-2012 FOR MATERIALS AND FINISHES. FOR MIXED CONTACT PATTERNS CONSULT FACTORY FOR AVAILABILITY AND CUSTOM PART NUMBER ASSIGNMENT.