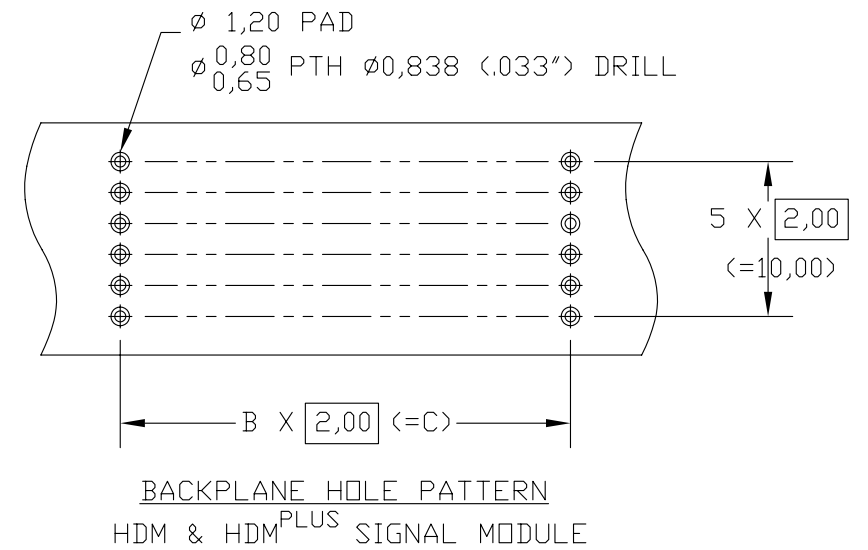
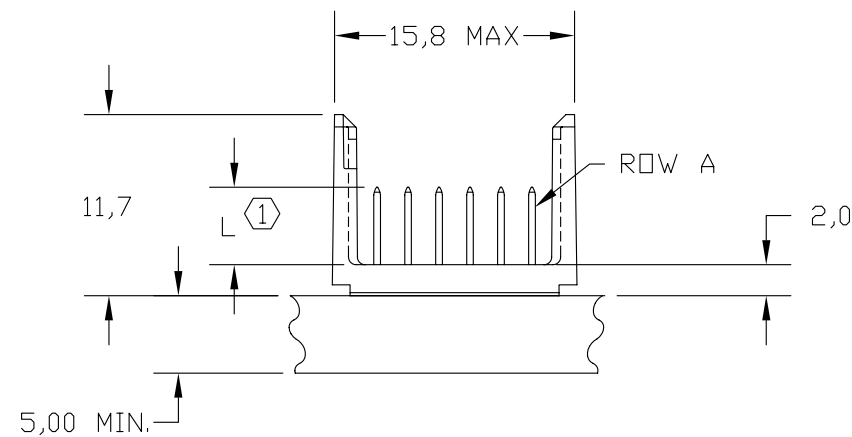
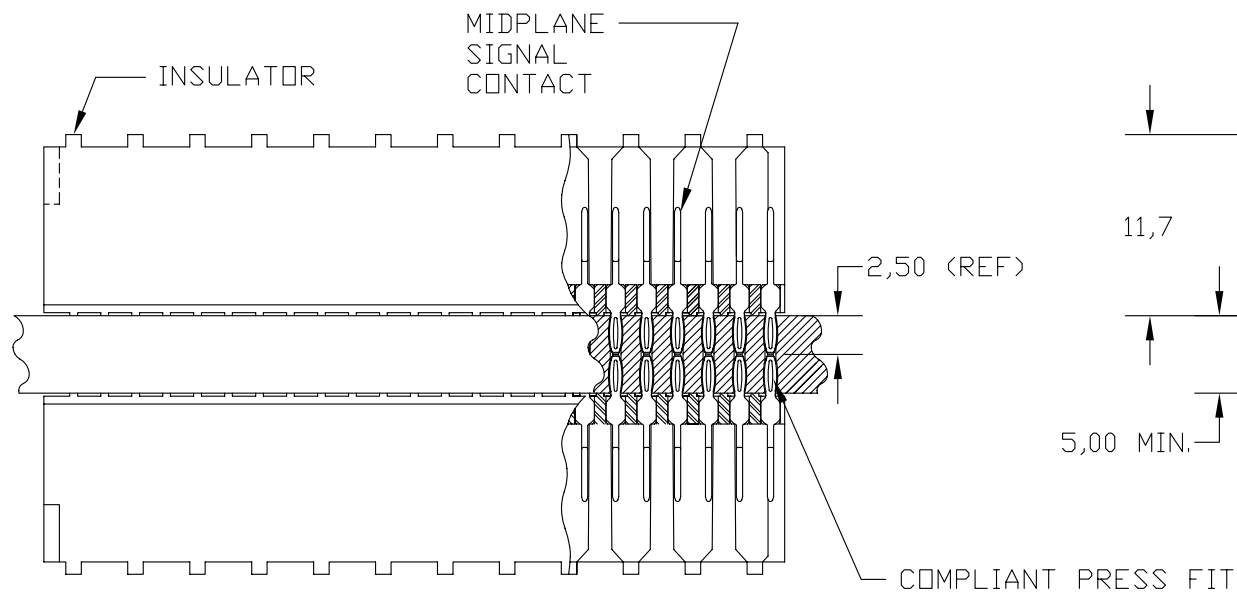
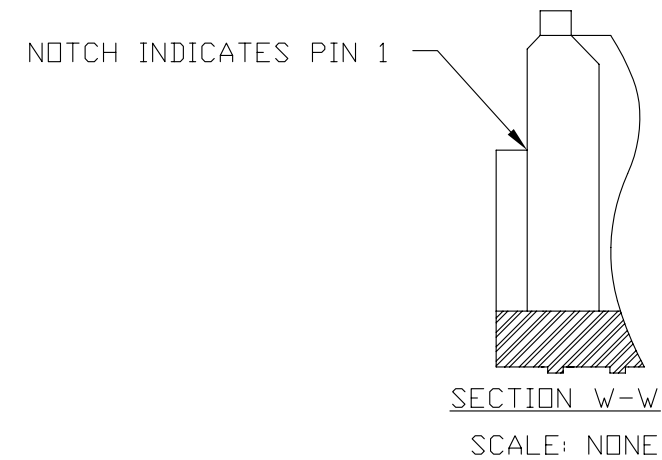
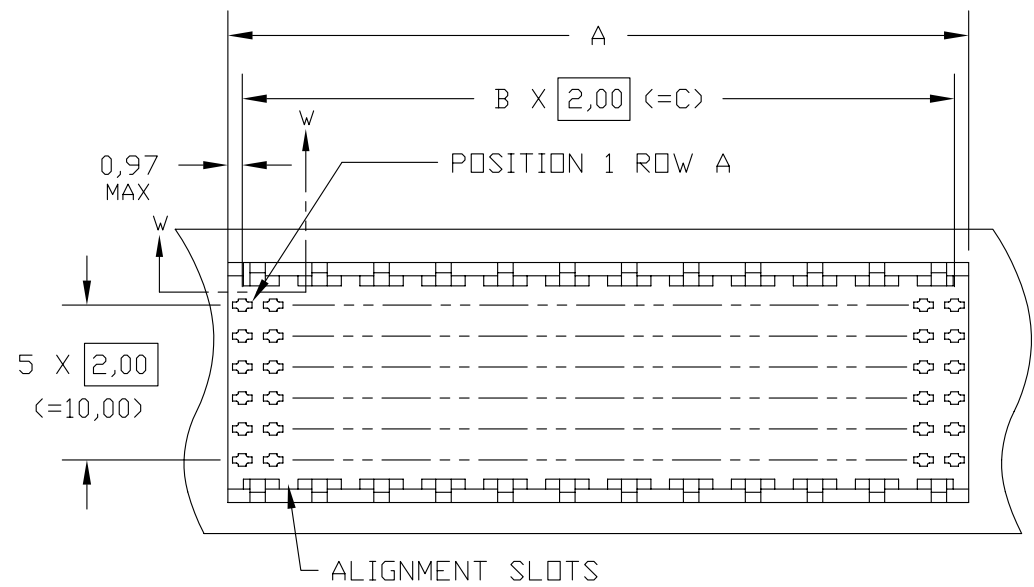


ASSEMBLY P/N	REV	TOTAL NUMBER OF SIGNAL CONTACTS	A MAX	B	C	DIM L
485-5124-000	-	144	48,0	23	46,00	5,0
485-5112-000	-	72	24,0	11	22,00	5,0
485-5124-001	-	144	48,0	23	46,00	6,0
485-5112-001	-	72	24,0	11	22,00	6,0

REV	SCR NO.	DESCRIPTION	BY	DATE	APPROVED
-	19071	NEW RELEASE	FR	04/08/96	G.GRASSETT
A	22364	ADDED BOTTOM MIDPLANE CONN FOR APPLICATION CLARITY	R.C.	09/18/97	J.GULLAGE
B	22662	RELEASED INTO CMS	DM	10/14/97	L.McMAHON
C	MLEE-6K4PWM.VER01	UPDATED DRAWING FORMAT	ML	01/18/06	C.SAMMIS



3. DIMENSIONS AND TOLERANCES SUBJECT TO CHANGE WITHOUT NOTICE.
 2. DIMENSIONS AND TOLERANCES ARE IN mm AND INTENDED FOR INFORMATION PURPOSES ONLY.
 NOTES: ① SEE HDM PRODUCT SPECIFICATION TB-2012 FOR MATERIALS AND FINISHES. FOR MIXED CONTACT PATTERNS CONSULT FACTORY FOR AVAILABILITY AND CUSTOM PART NUMBER ASSIGNMENT.

TOLERANCES		DWN 04/03/96 F.ROTONDO	Amphenol TCS A Division of Amphenol Corporation 44 Simon Street, Nashua, N.H. 03060 (603) 879-3000
0,0	± 0,25	CHK 04/08/96 F.ROTONDO	
0,00	± 0,13	APVD 04/08/96 G.GRASSETT	
0,000	± -		
ANGLES	± -		
UNLESS OTHERWISE SPECIFIED DIMENSIONS ARE IN MILLIMETERS			TITLE MIDPLANE MODULE ASSEMBLY HDM & HDM ^{PLUS} CONNECTOR
CUSTOMER USE DRAWING			PART NO. SEE TABLE
INTERPRET PER ANSI Y14.5			DRAWING NO. C-485-5124-000
CODE IDENT 31413			REV C
SIZE B	SCALE 2/1	SHEET 1 OF 1	