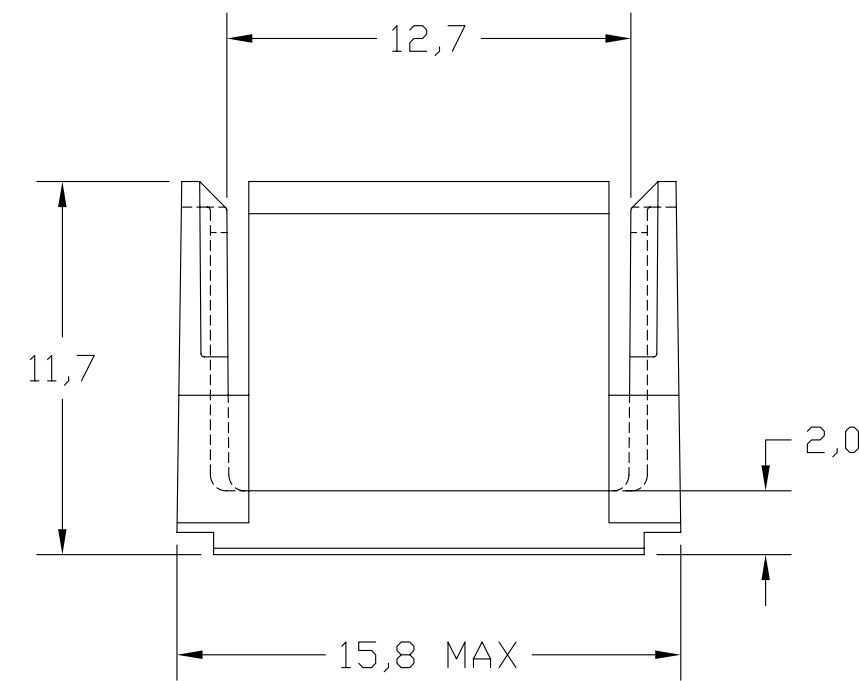
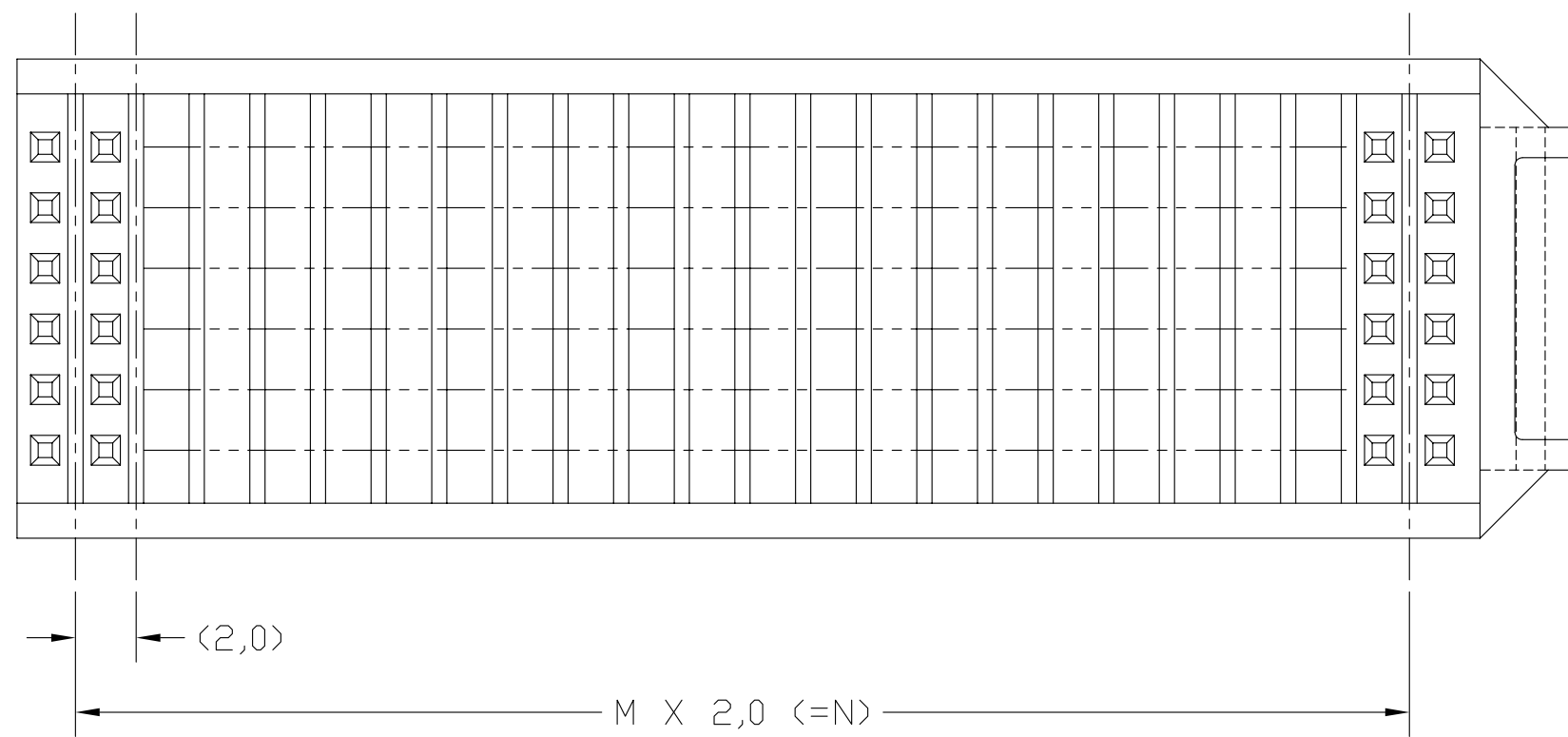
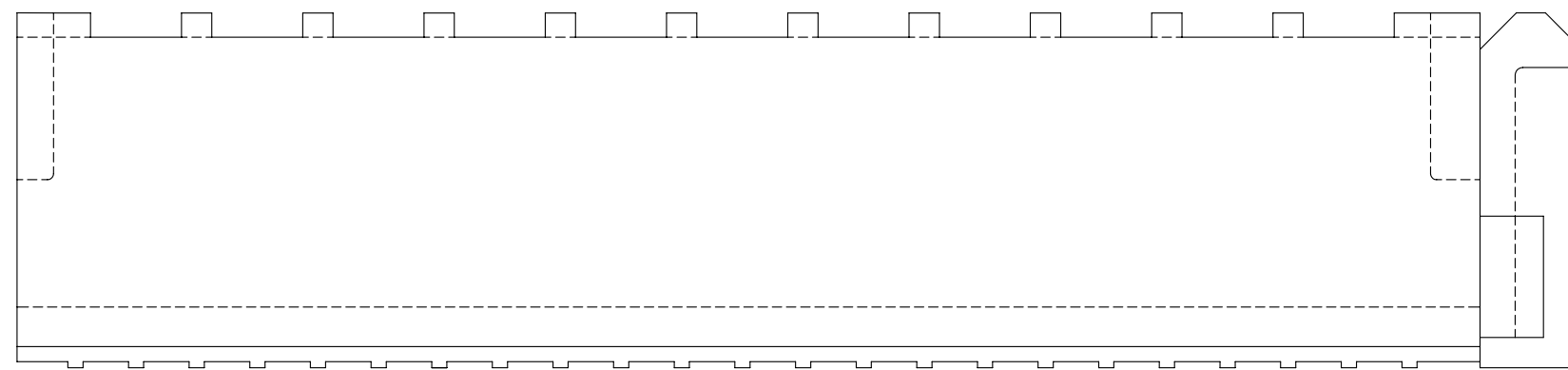
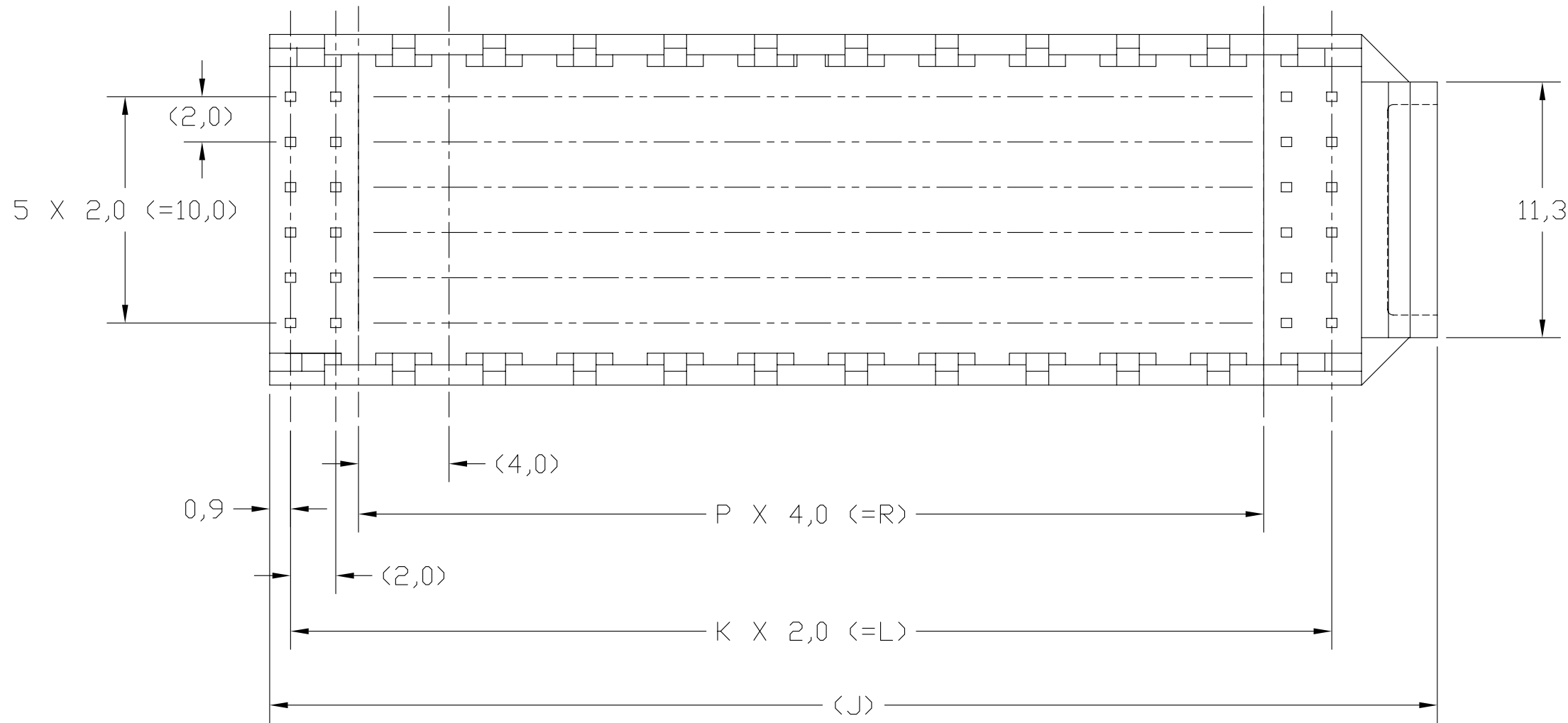


INSULATOR PART NUMBER	REV	DESCRIPTION	(J)	K	L	M	N	P	R
486-1024-060	-	6 ROW 24 POSN	51,6	23	46,0	22	44,0	10	40,0
486-1012-060	-	6 ROW 12 POSN	27,6	11	22,0	10	20,0	4	16,0

ZONE	REV	SCR NO.	DESCRIPTION	BY	DATE	APPROVED
	-	15702	NEW RELEASE	JV	6/17/94	B.HOWARD
	A	22662	RELEASED INTO CMS	DM	10/15/97	L.McMAHON
	B	MLEE-6K4PWM.VER01	UPDATED DRAWING FORMAT	ML	01/18/06	C.SAMMIS



3. ALL DIMENSIONS ARE IN MILLIMETERS.
 2. DESIGNED FOR USE WITH 0,40 SQ TAIL MIDPLANE CONTACT.
 NOTES: 1. MAT'L: POLYESTER, LIQUID CRYSTAL POLYMER PER EGS 207.

TOLERANCES	DRAWN 6/22/94
.00 ± 0,15	J.Varhegyi
.000 ± -	CHK 6/16/94
.0000 ± -	D.Provencher
ANGLES ± -	APVD 6/24/94
	B.Howard

UNLESS OTHERWISE SPECIFIED DIMENSIONS ARE IN MILLIMETERS

Amphenol TCS

A Division of Amphenol Corporation
 44 Simon Street, Nashua, N.H. 03060 (603) 879-3000

TITLE
 BACKPLANE MODULE WITH ENDWALL
 TAIL SIDE/NO STANDOFFS
 HDM CONNECTOR

INTERPRET PER ANSI Y14.5
 CODE IDENT 31413

CUSTOMER
 USE
 DRAWING

PART NO.	SEE TABLE	REV	
DRAWING NO.	C-486-1024-060	REV	B
SIZE C	SCALE 4/1	SHEET 1	OF 1

D

C

B

DWG NO. C-486-1024-060

SH 1 REV B