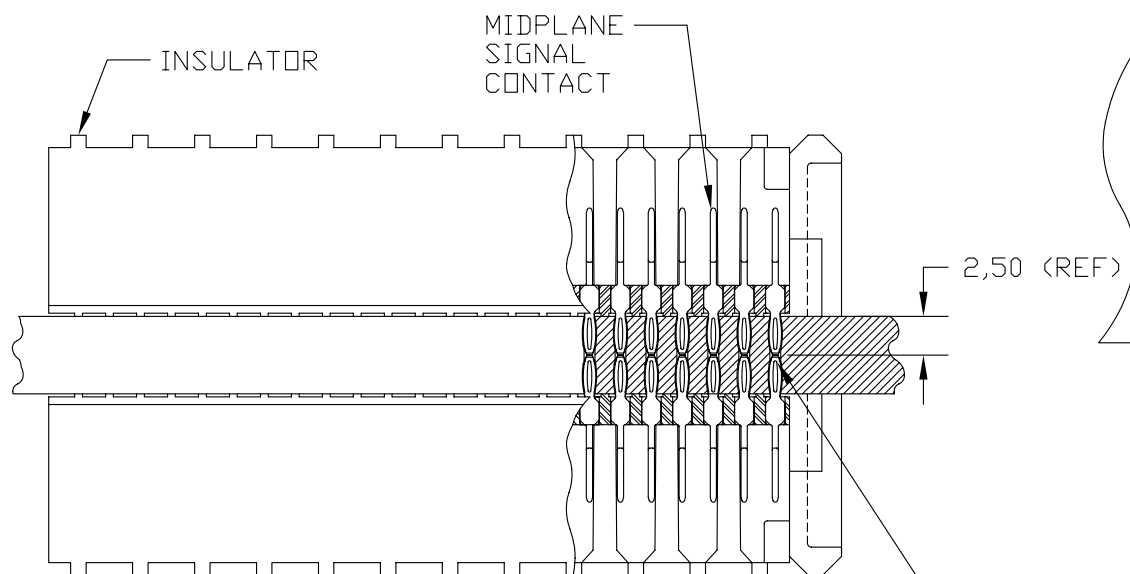
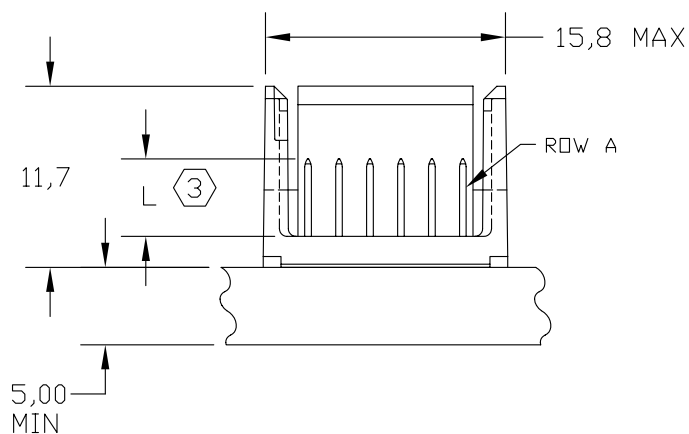
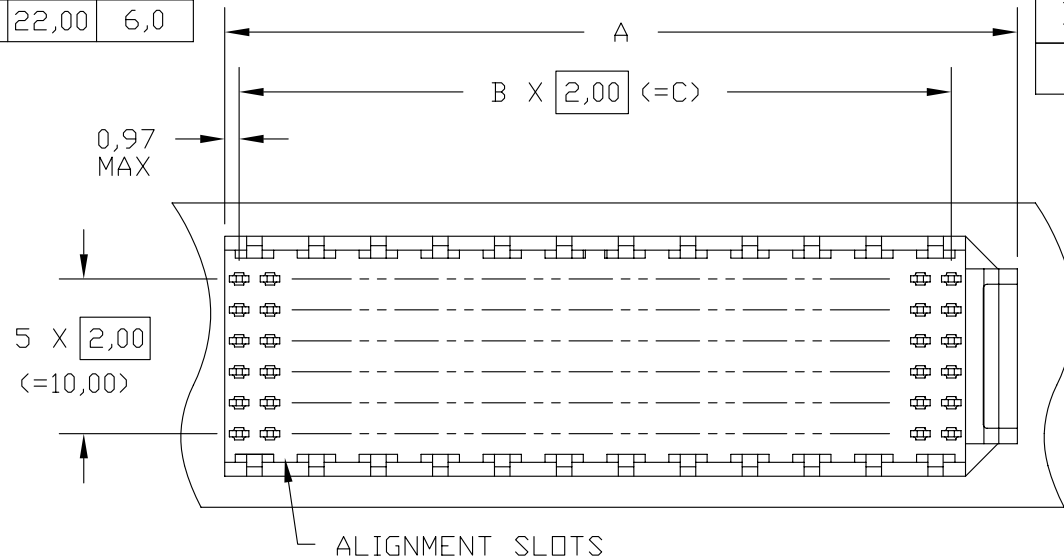
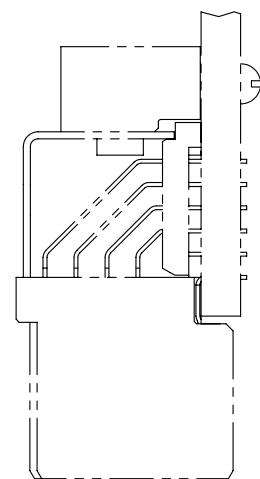
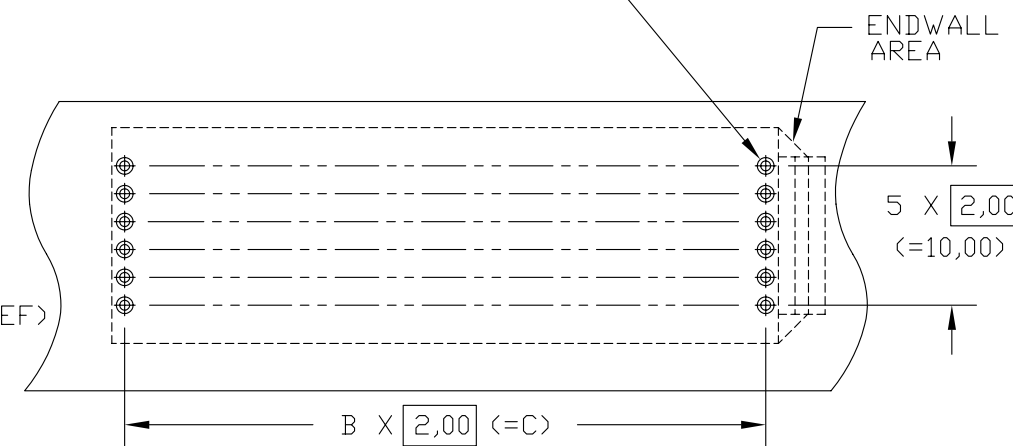


ASSEMBLY P/N	REV	TOTAL NUMBER OF SIGNAL CONTACTS	A MAX	B	C	DIM L
486-5124-000	-	144	52,0	23	46,00	5,0
486-5112-000	-	72	28,0	11	22,00	5,0
486-5124-001	-	144	52,0	23	46,00	6,0
486-5112-001	-	72	28,0	11	22,00	6,0

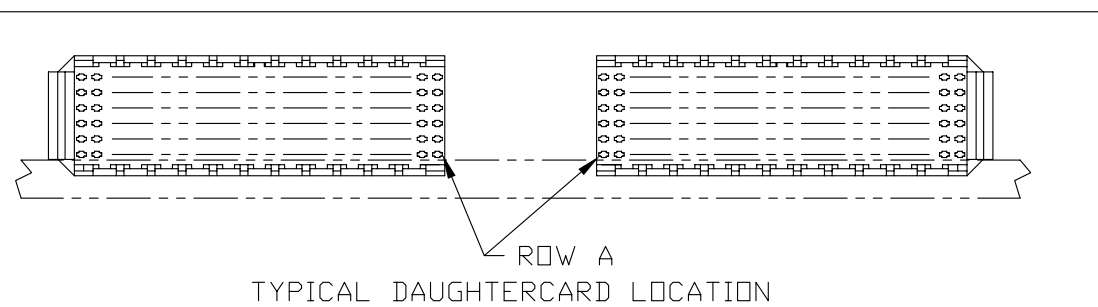
REV	SCR NO.	DESCRIPTION	BY	DATE	APPROVED
-	19076	NEW RELEASE	FR	04/08/96	G.GRASSETT
A	22274	ADDED BOTTOM MIDPLANE CONN FOR APPLICATION CLARITY	R.C.	09/18/97	J.GULLAGE
B	22662	RELEASED INTO CMS	DM	10/15/97	L.MCMAHON
C	MLEE-6K50DQ.VER01	REPLACED DRAWING FORMAT	ML	01/19/06	C.SAMMIS



ø 1,20 PAD  
ø 0,80 PTH ø 0,838 (.033") DRILL  
ø 0,65



BACKPLANE HOLE PATTERN  
HDM & HDM<sup>PLUS</sup> SIGNAL MODULE



③ SEE HDM PRODUCT SPECIFICATION TB-2012 FOR MATERIALS AND FINISHES. FOR MIXED CONTACT PATTERNS CONSULT FACTORY FOR AVAILABILITY AND CUSTOM PART NUMBER ASSIGNMENT.

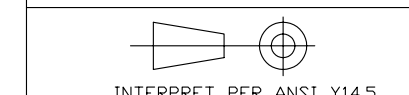
2. DIMENSIONS AND TOLERANCES SUBJECT TO CHANGE WITHOUT NOTICE.

NOTES: 1. DIMENSIONS AND TOLERANCES ARE IN mm AND INTENDED FOR LAYOUT AND INFORMATION PURPOSES ONLY.

TOLERANCES	DWN 04/04/96	CHK 04/08/96	APVD 04/08/96
0,0	± 0,25	F.ROTUNDO	G.GRASSETT
0,00	± 0,13	F.ROTUNDO	G.GRASSETT
0,000	± -		
ANGLES	± -		

UNLESS OTHERWISE SPECIFIED DIMENSIONS ARE IN MILLIMETERS

CUSTOMER USE DRAWING



CODE IDENT 31413

**Amphenol TCS**  
A Division of Amphenol Corporation  
44 Simon Street, Nashua, N.H. 03060 (603) 879-3000

TITLE MIDPLANE MODULE WITH ENDWALL ASSEMBLY HDM & HDM<sup>PLUS</sup> CONNECTOR

PART NO. SEE TABLE

DRAWING NO. C-486-5124-000

SIZE B SCALE 2/1 SHEET 1 OF 1

DWG NO. C-486-5124-000 SH 1 REV C