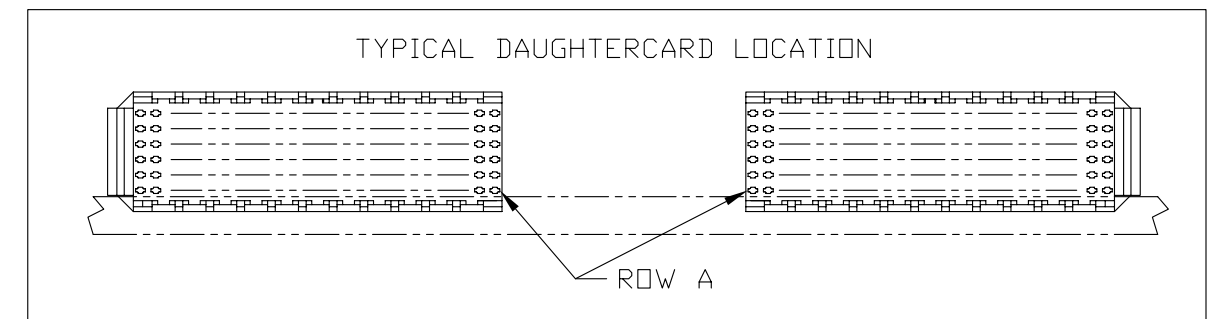
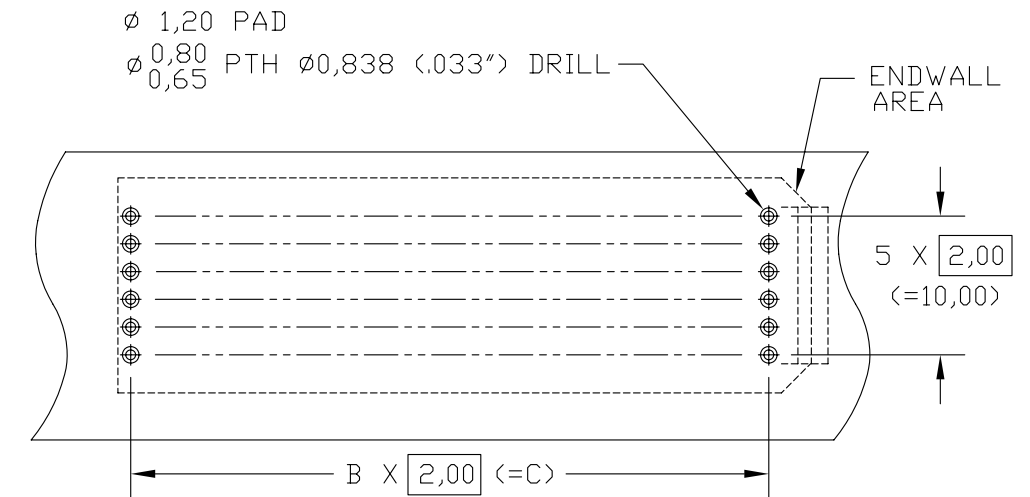
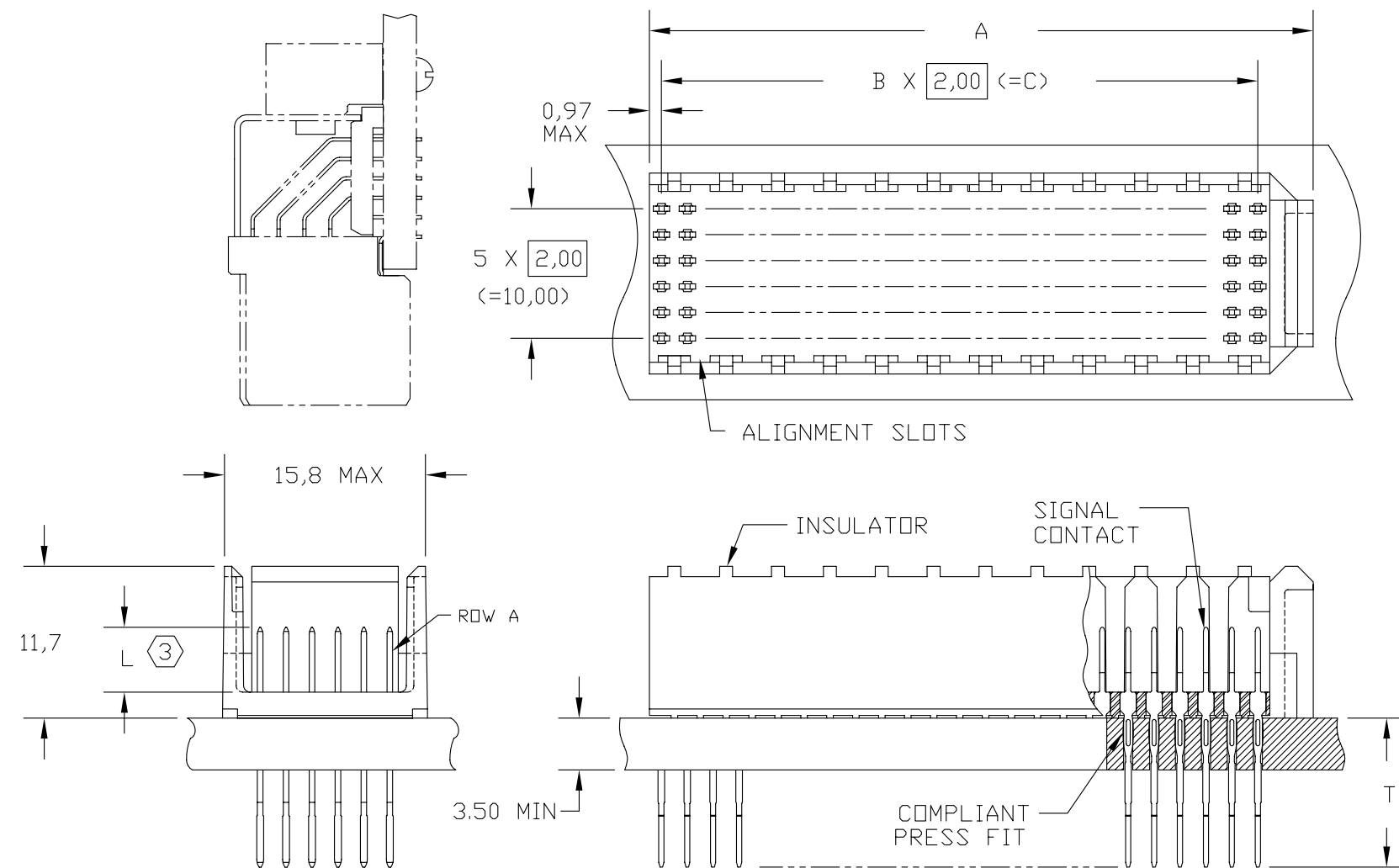


ASSEMBLY P/N	REV	TOTAL NUMBER OF SIGNAL CONTACTS	A MAX	B	C	DIM L	DIM T
486-5224-003	-	144	52,0	23	46,00	5,0	11,50
486-5212-003	-	72	28,0	11	22,00	5,0	11,50
486-5224-002	-	144	52,0	23	46,00	6,0	11,50
486-5212-002	-	72	28,0	11	22,00	6,0	11,50

REV	SCR NO.	DESCRIPTION	BY	DATE	APPROVED
-	14134	NEW RELEASE	JV	10/8/93	B.HOWARD
A	18431	CHGD PTH SIZE; SEE SCR	FR	12/5/95	G.GRASSETT
B	19078	CHGD NOTES; SEE SCR	FR	4/8/96	G.GRASSETT
C	22662	RELEASED INTO CMS	DM	12/5/05	L.MCMAHON
D	MLEE-6K5QDQ.VER01	REPLACED DRAWING FORMAT	ML	01/19/06	C.SAMMIS



TOLERANCES	DWN 10/8/93 J.Varhegyi	<b>Amphenol TCS</b> A Division of Amphenol Corporation 44 Simon Street, Nashua, N.H. 03060 (603) 879-3000	TITLE ENDWALL MIDPLANE MODULE ASSEMBLY HDM & HDM <sup>PLUS</sup> CONNECTOR
.0 ± -	CHK 3/17/94 B.Howard		
.000 ± -	APVD 3/17/94 B.Howard		
ANGLES ± -			
UNLESS OTHERWISE SPECIFIED DIMENSIONS ARE IN MILLIMETERS		PART NO.	REV
CUSTOMER USE DRAWING		SEE TABLE	
 INTERPRET PER ANSI Y14.5		DRAWING NO.	REV
CODE IDENT 31413		C-486-5224-000	D
SIZE B	SCALE 2/1	SHEET 1 OF 1	

③ SEE HDM PRODUCT SPECIFICATION TB2012 FOR MATERIALS AND FINISHES. FOR MIXED CONTACT PATTERNS CONSULT FACTORY FOR AVAILABILITY AND CUSTOM PART NUMBER ASSIGNMENT.

2. DIMENSIONS AND TOLERANCES SUBJECT TO CHANGE WITHOUT NOTICE.

NOTES: 1. DIMENSIONS AND TOLERANCES ARE IN mm AND INTENDED FOR LAYOUT AND INFORMATION PURPOSES ONLY.