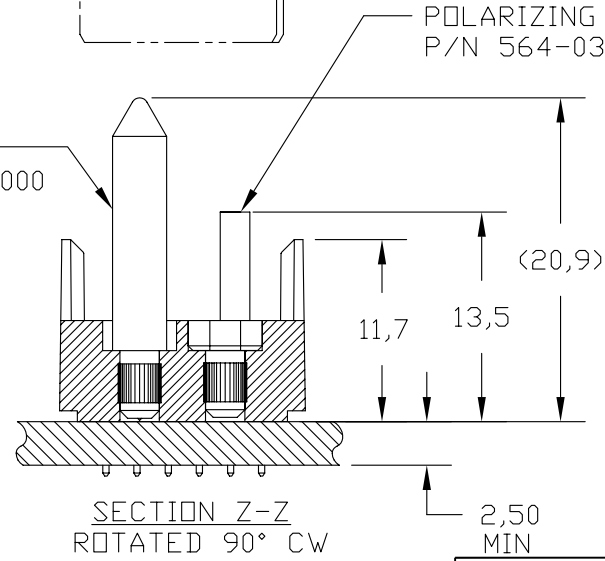
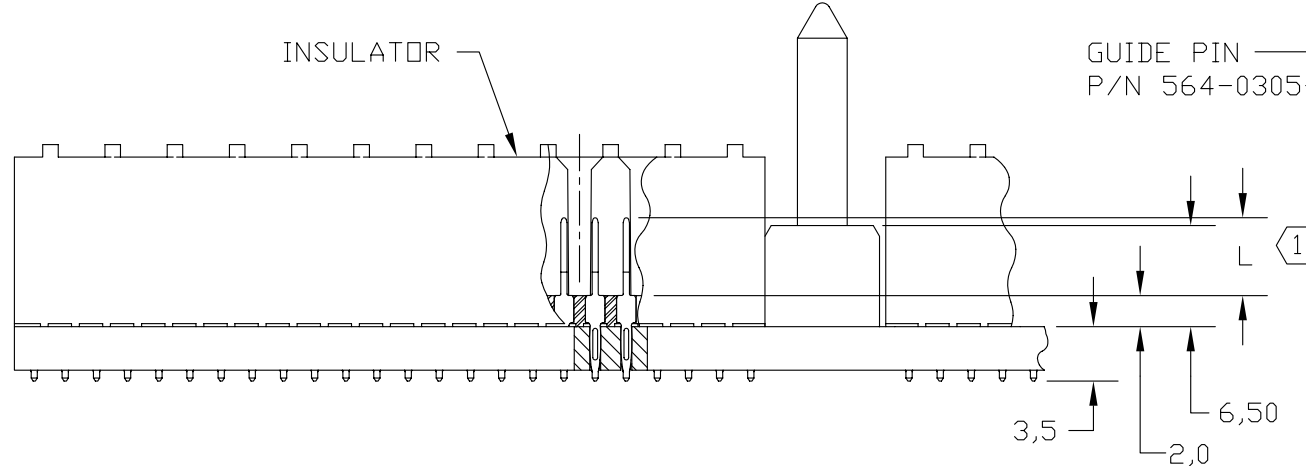
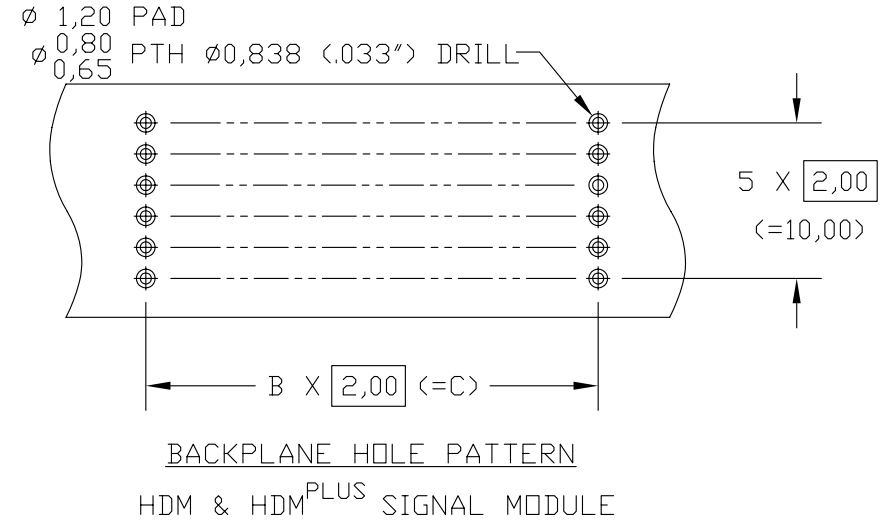
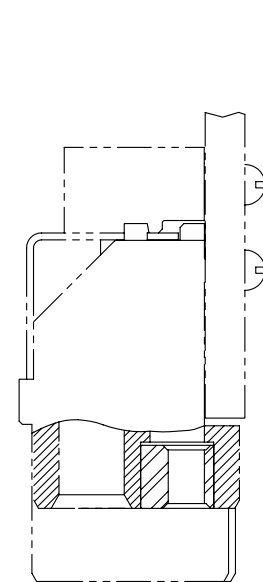
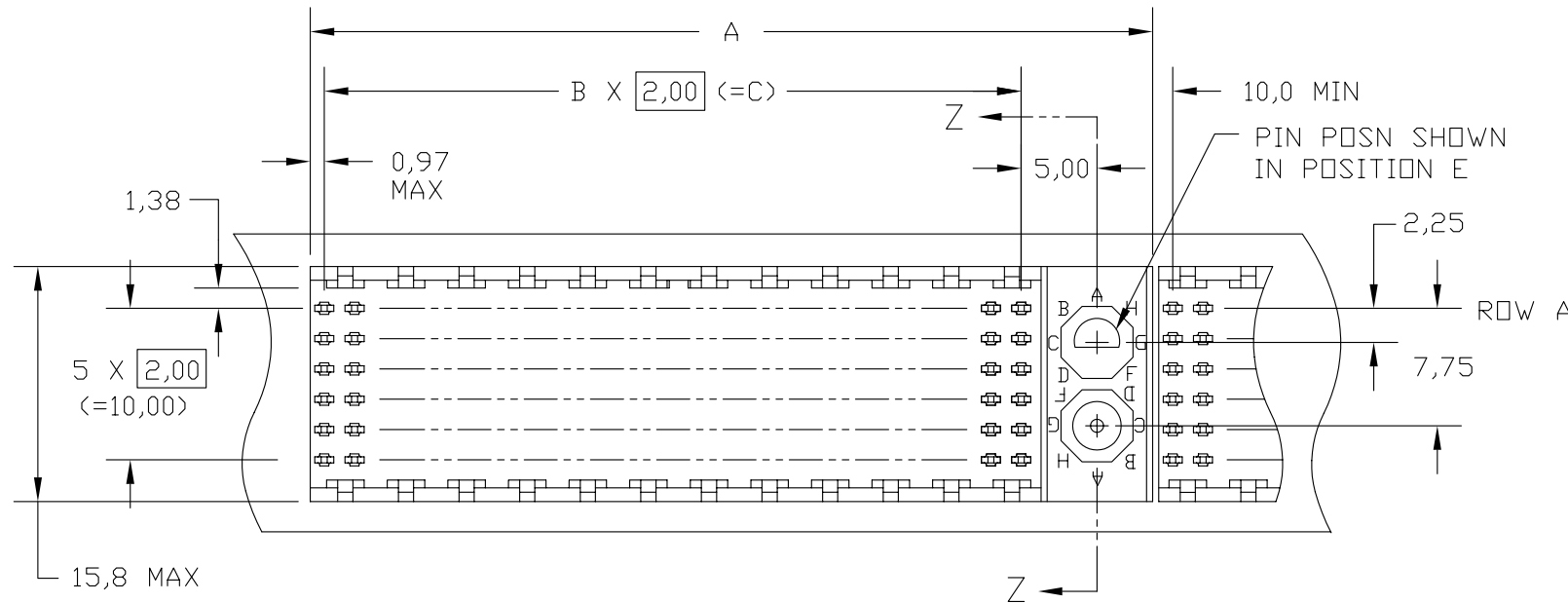


TABLE I						
ASSEMBLY P/N ④	REV	TOTAL NUMBER OF SIGNAL CONTACTS	A MAX	B	C	DIM L
487-5024-XX0	A	144	56,0	23	46,00	5,0
487-5012-XX0	A	72	32,0	11	22,00	5,0
487-5024-XX1	A	144	56,0	23	46,00	6,0
487-5012-XX1	A	72	32,0	11	22,00	6,0

REV	SCR NO.	DESCRIPTION	BY	DATE	APPROVED
-	13371	NEW RELEASE	JV	8/30/93	B.Howard
A	16920	UDTD PER BP MOD & POLAR/GUIDE PIN DESIGN CHANGE;	JV	2/3/95	D.B.P.
B	18430	CHGD PTH SIZE; SEE SCR	FR	12/5/95	G.GRASSETT
C	19080	SEE SCR	FR	4/8/96	G.GRASSETT
D	22662	RELEASED INTO CMS	DM	10/15/97	L.McMAHON
E	MLEE-6K5QDQ.VER01	REPLACED DRAWING FORMAT	ML	01/19/06	C.SAMMIS



TOLERANCES	DWN	CHK	APVD
.0	± 0,25	2/5/93 J.VARHEGYI	12/7/93 B.HOWARD
.00	± 0,13	2/5/93 M.WIDMAYER	
.000	± -		
ANGLES	± -		

Amphenol TCS
A Division of Amphenol Corporation
44 Simon Street, Nashua, N.H. 03060 (603) 879-3000

UNLESS OTHERWISE SPECIFIED DIMENSIONS ARE IN MILLIMETERS

CUSTOMER USE DRAWING

INTERPRET PER ANSI Y14.5

CODE IDENT 31413

TITLE	PART NO.	REV
BACKPLANE GUIDANCE/ POLARIZING MODULE ASSEMBLY HDM & HDM ^{PLUS} CONNECTOR	SEE TABLE	-
	DRAWING NO. C-487-5024-000	REV E
	SIZE B	SCALE 2/1
		SHEET 1 OF 2

- ④ SEE SHEET 2 FOR PART NUMBER CONFIGURATIONS.
- 3. DIMENSIONS AND TOLERANCES SUBJECT TO CHANGE WITHOUT NOTICE.
- 2. DIMENSIONS AND TOLERANCES ARE IN mm AND INTENDED FOR LAYOUT PURPOSES ONLY.

NOTES: ① SEE PRODUCT SPECIFICATION TB 2012 FOR MATERIALS AND FINISHES. FOR MIXED CONTACT PATTERNS CONSULT FACTORY FOR AVAILABILITY.

REV	SCR NO.	DESCRIPTION	BY	DATE	APPROVED
	-	SEE SHEET 1			

PART NUMBER CONFIGURATION

487-5012-XX0

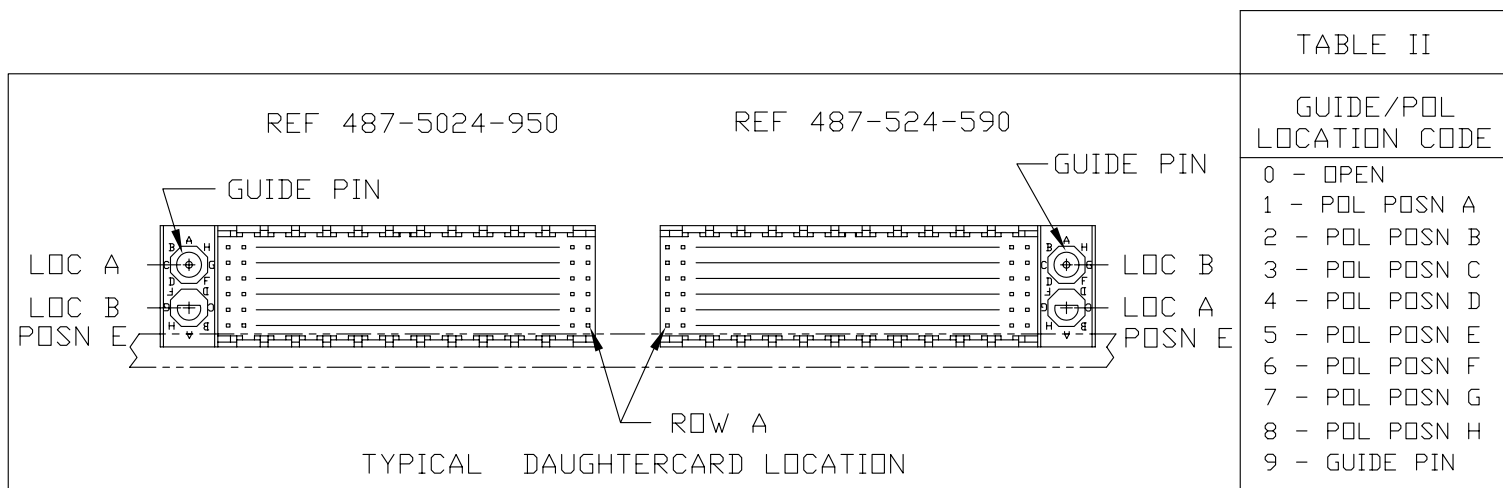
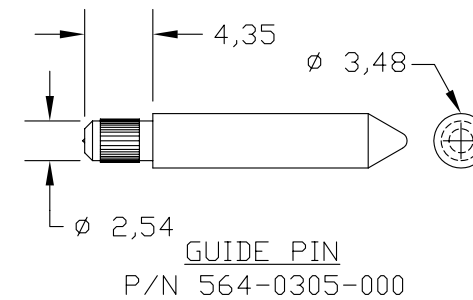
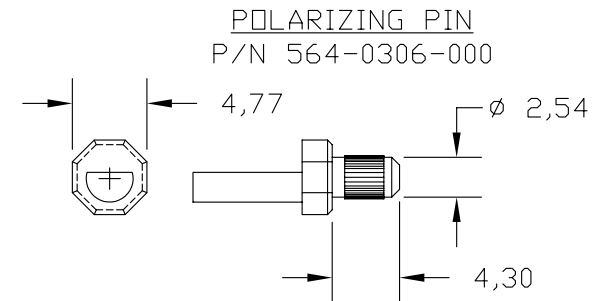
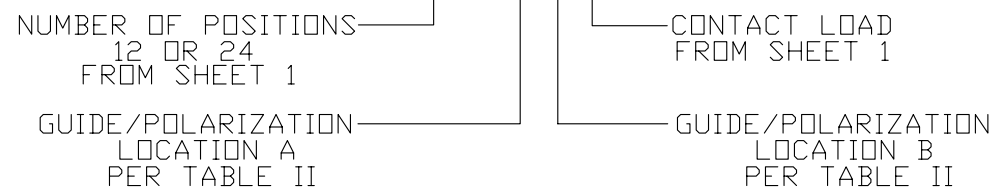


TABLE II	
GUIDE/POL LOCATION CODE	
0	- OPEN
1	- POL POSN A
2	- POL POSN B
3	- POL POSN C
4	- POL POSN D
5	- POL POSN E
6	- POL POSN F
7	- POL POSN G
8	- POL POSN H
9	- GUIDE PIN

TOLERANCES	DWN 2/5/93 J.VARHEGYI	Amphenol TCS A Division of Amphenol Corporation 44 Simon Street, Nashua, N.H. 03060 (603) 879-3000
.0	± -	
.00	± -	TITLE BACKPLANE GUIDANCE/ POLARIZING MODULE ASSEMBLY HDM & HDM ^{PLUS} CONNECTOR
.000	± -	
ANGLES	± -	PART NO. SEE TABLE I
UNLESS OTHERWISE SPECIFIED DIMENSIONS ARE IN MILLIMETERS		
CUSTOMER USE DRAWING		DRAWING NO. C-487-5024-000
INTERPRET PER ANSI Y14.5		REV -
CODE IDENT 31413	SIZE B	SCALE 2/1
		SHEET 2 OF 2