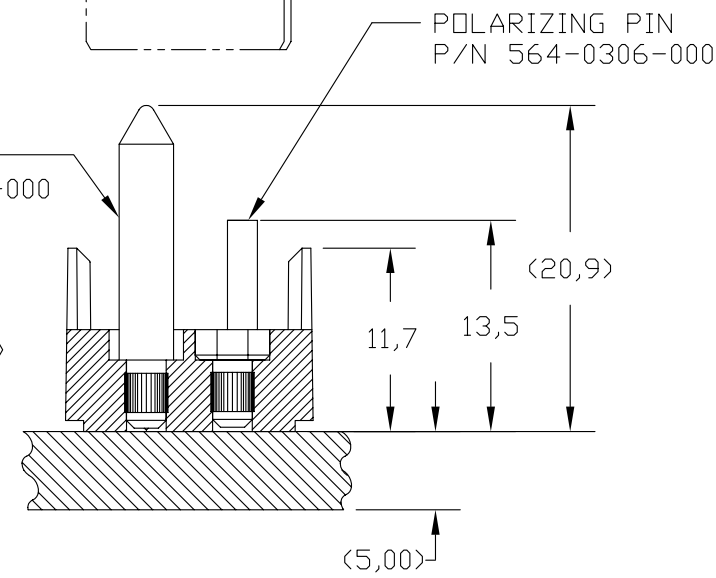
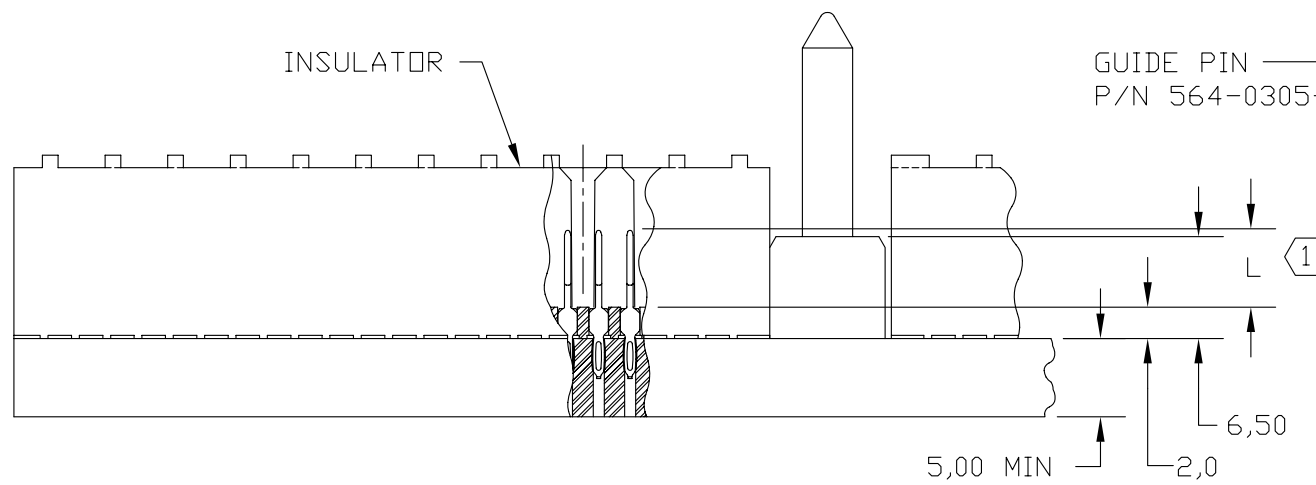
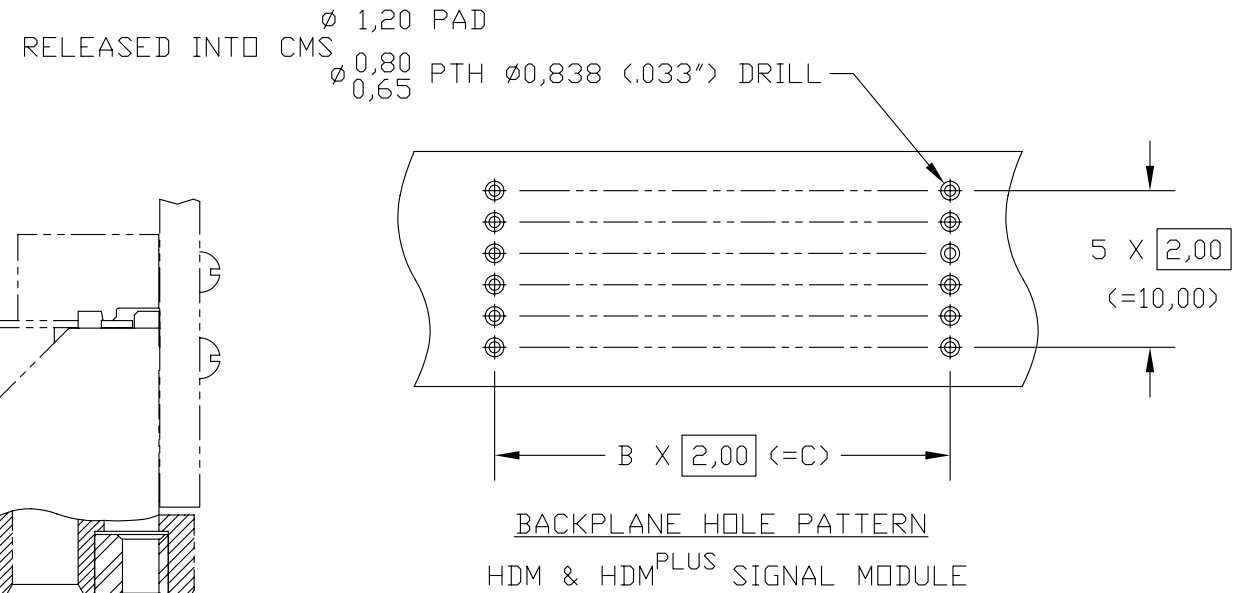
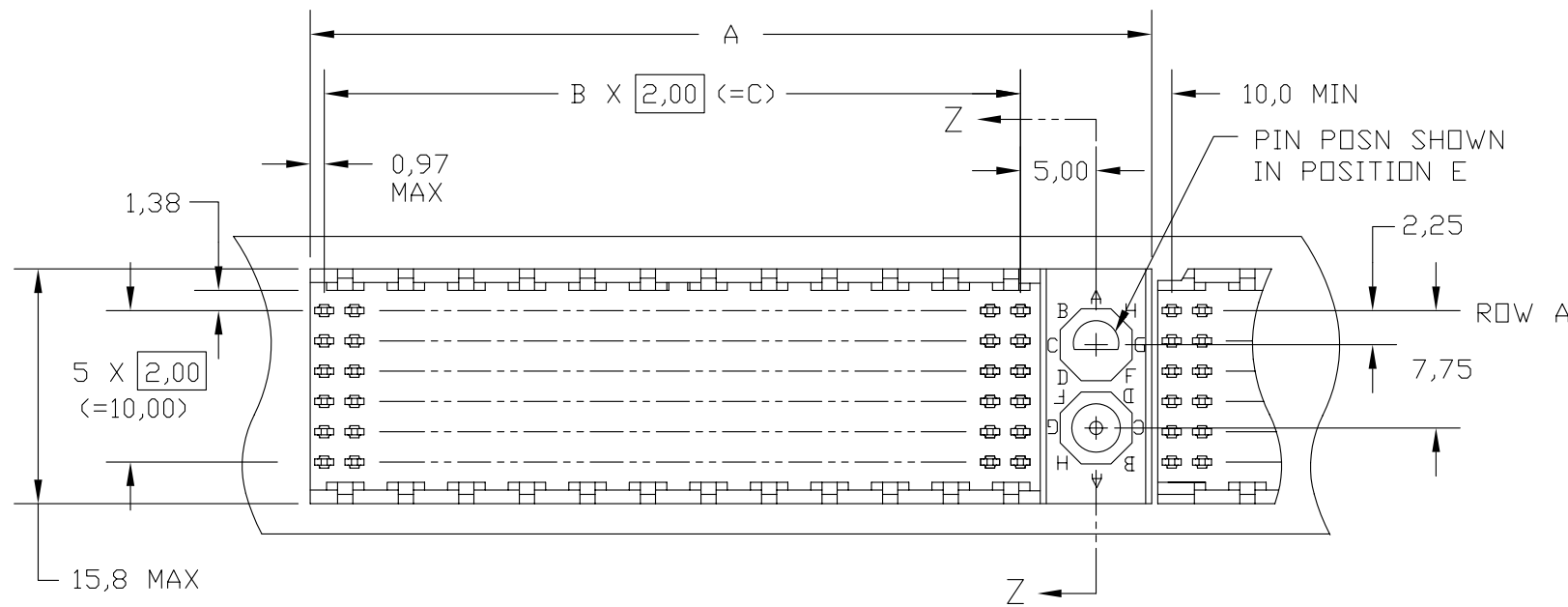


| TABLE I | | | | | | |
|------------------|-----|---------------------------------|-------|----|-------|-------|
| ASSEMBLY P/N (4) | REV | TOTAL NUMBER OF SIGNAL CONTACTS | A MAX | B | C | DIM L |
| 487-5124-XX0 | - | 144 | 56,0 | 23 | 46,00 | 5,0 |
| 487-5112-XX0 | - | 72 | 32,0 | 11 | 22,00 | 5,0 |
| 487-5124-XX1 | - | 144 | 56,0 | 23 | 46,00 | 6,0 |
| 487-5112-XX1 | - | 72 | 32,0 | 11 | 22,00 | 6,0 |

| REV | SCR NO. | DESCRIPTION | BY | DATE | APPROVED |
|-----|-------------------|-------------------------|----|----------|------------|
| - | 19079 | NEW RELEASE | FR | 4/8/96 | G.GRASSETT |
| A | 22662 | RELEASED INTO CMS | DM | 10/15/97 | L.McMAHON |
| B | MLEE-6K5QDQ.VER01 | REPLACED DRAWING FORMAT | ML | 01/19/06 | C.SAMMIS |



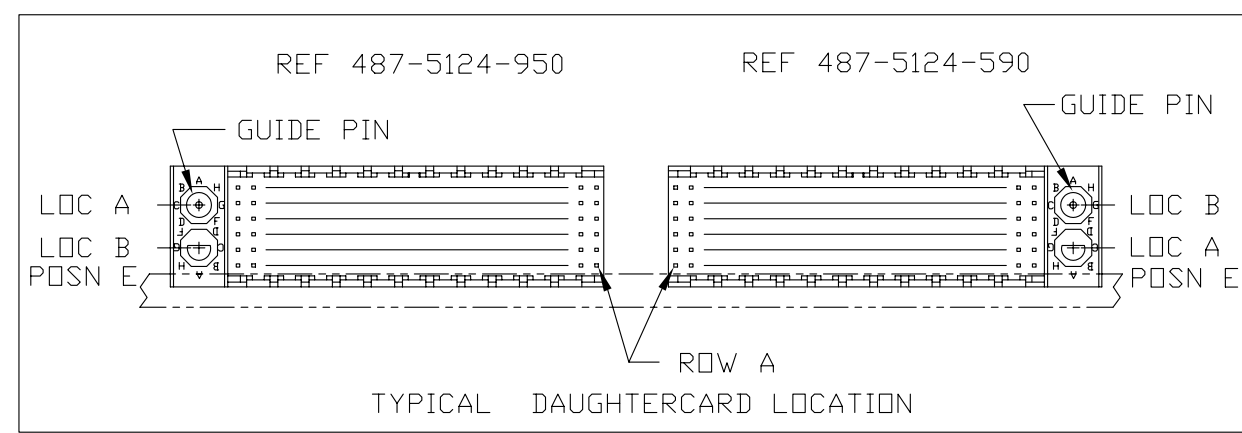
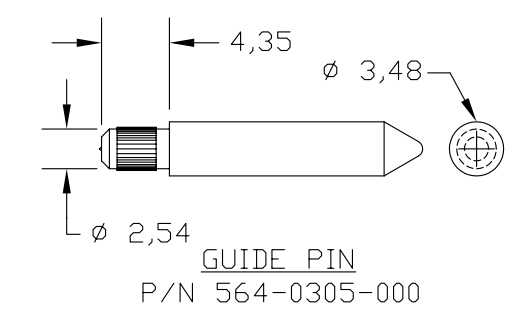
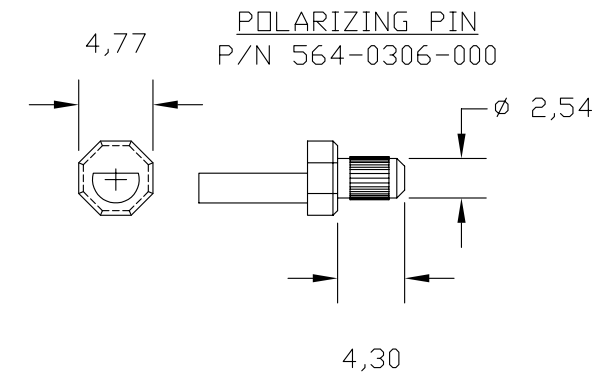
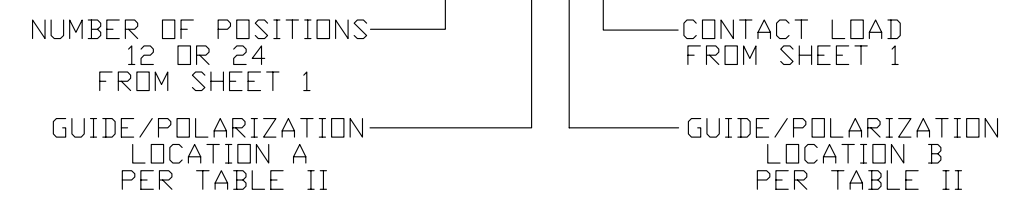
(4) SEE SHEET 2 FOR PART NUMBER CONFIGURATIONS.
 3. DIMENSIONS AND TOLERANCES SUBJECT TO CHANGE WITHOUT NOTICE.
 2. DIMENSIONS AND TOLERANCES ARE IN mm AND INTENDED FOR LAYOUT PURPOSES ONLY.
 NOTES: (1) SEE PRODUCT SPECIFICATION TB 2012 FOR MATERIALS AND FINISHES. FOR MIXED CONTACT PATTERNS CONSULT FACTORY FOR AVAILABILITY.

| | | |
|--|---------------------------|--|
| TOLERANCES | DWN 04/04/96 F.ROTONDO | Amphenol TCS A Division of Amphenol Corporation 44 Simon Street, Nashua, NH. 03060 (603) 879-3000 |
| .0 | ± 0,25 | |
| .00 | ± 0,13 | |
| .000 | ± - | |
| ANGLES | ± - | TITLE |
| UNLESS OTHERWISE SPECIFIED DIMENSIONS ARE IN MILLIMETERS | | POLARIZING MODULE ASSEMBLY HDM & HDM PLUS CONNECTOR |
| CUSTOMER USE DRAWING | | PART NO. SEE TABLE I |
| INTERPRET PER ANSI Y14.5 | | DRAWING NO. C-487-5124-000 |
| CODE IDENT 31413 | SIZE B | SCALE 2/1 |
| | | SHEET 1 OF 2 |

| REV | SCR NO. | DESCRIPTION | BY | DATE | APPROVED |
|-----|---------|-------------|----|------|----------|
| | - | SEE SHEET 1 | | | |

PART NUMBER CONFIGURATION

487-5112-XX0



| TABLE II | |
|-------------------------|--------------|
| GUIDE/POL LOCATION CODE | |
| 0 | - OPEN |
| 1 | - POL POSN A |
| 2 | - POL POSN B |
| 3 | - POL POSN C |
| 4 | - POL POSN D |
| 5 | - POL POSN E |
| 6 | - POL POSN F |
| 7 | - POL POSN G |
| 8 | - POL POSN H |
| 9 | - GUIDE PIN |

| | |
|------------|---------------------------|
| TOLERANCES | DWN 04/04/96 F.ROTONDO |
| .0 | ± - |
| .00 | ± - |
| .000 | ± - |
| ANGLES | APVD G.GRASSETT |

Amphenol TCS
A Division of Amphenol Corporation
44 Simon Street, Nashua, N.H. 03060 (603) 879-3000

| | |
|--|--------|
| UNLESS OTHERWISE SPECIFIED DIMENSIONS ARE IN MILLIMETERS | |
| CUSTOMER USE DRAWING | |
| <p>INTERPRET PER ANSI Y14.5</p> | |
| CODE IDENT 31413 | SIZE B |

| | |
|--|--------------|
| TITLE BACKPLANE POLARIZING/ GUIDANCE MODULE ASSEMBLY HDM & HDM ^{PLUS} CONNECTOR | |
| PART NO. SEE TABLE I | REV - |
| DRAWING NO. C-487-5124-000 | REV B |
| SCALE 2/1 | SHEET 2 OF 2 |

DWG NO. C-487-5124-000 SH 2 REV B