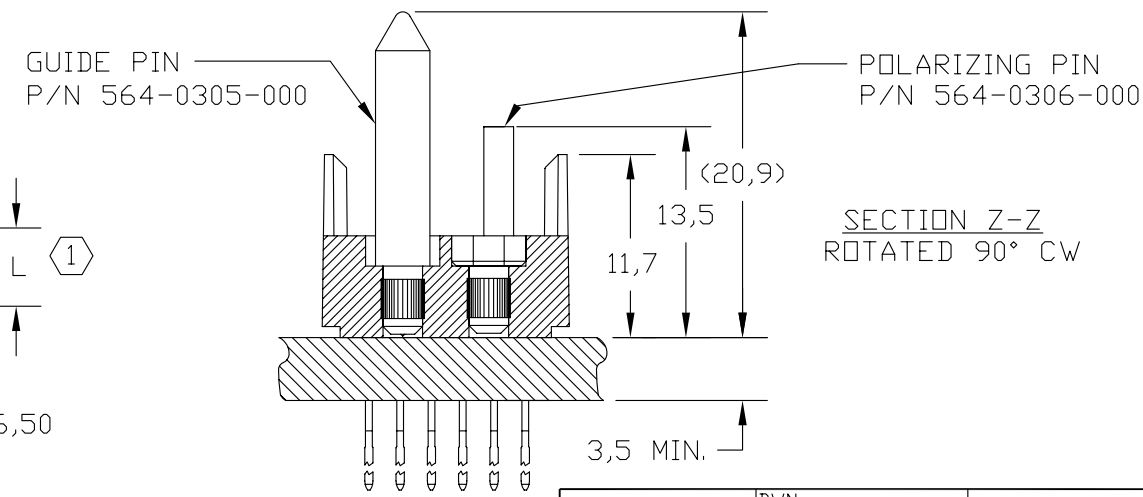
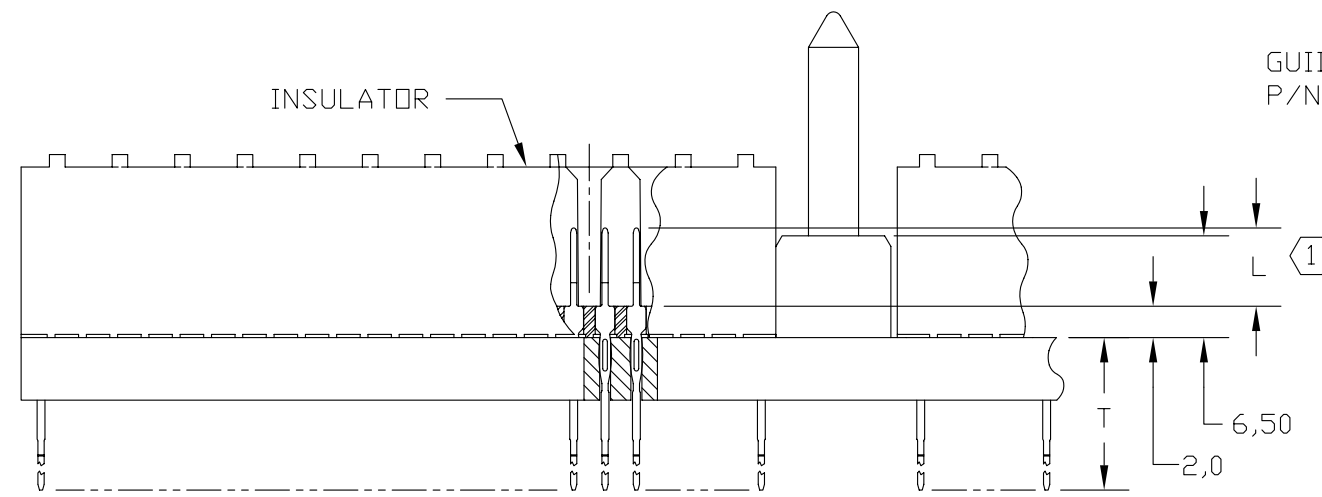
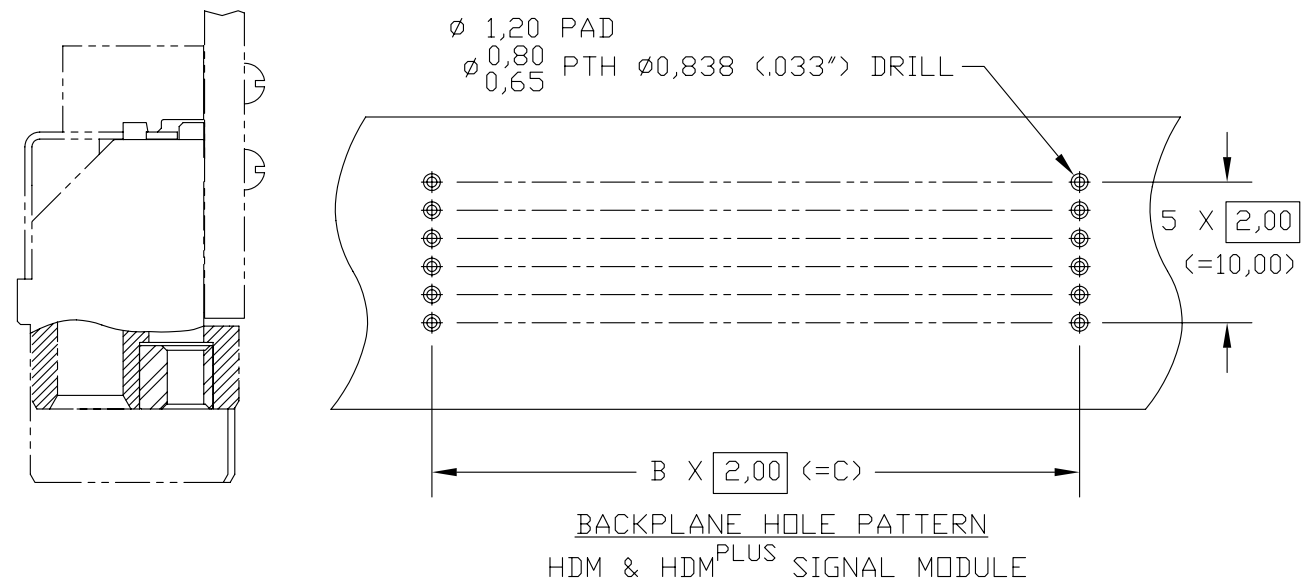
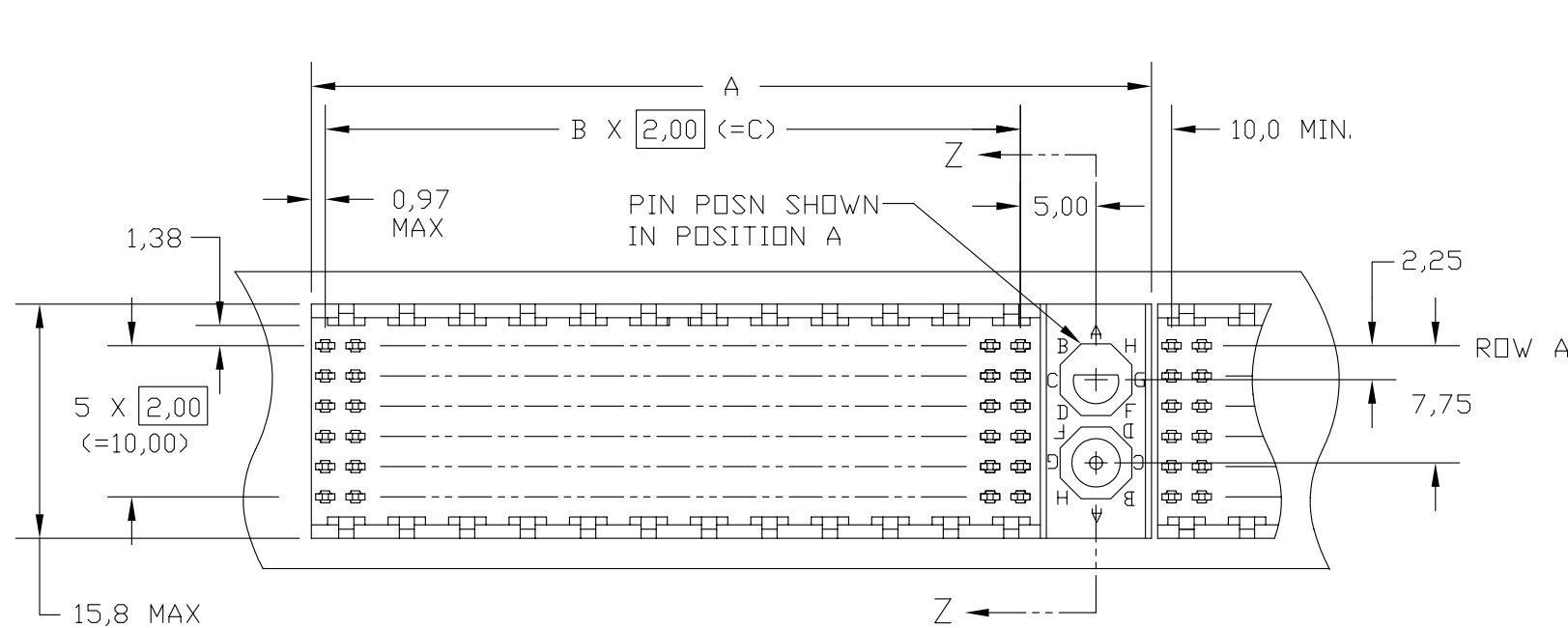


TABLE I							
ASSEMBLY P/N	REV	TOTAL NUMBER OF SIGNAL CONTACTS	A MAX	B	C	DIM L	DIM T
487-5224-XX3	A	144	56,0	23	46,00	5,0	11,50
487-5212-XX3	A	72	32,0	11	22,00	5,0	11,50
487-5224-XX2	A	144	56,0	23	46,00	6,0	11,50
487-5212-XX2	A	72	32,0	11	22,00	6,0	11,50

REV	SCR NO.	DESCRIPTION	BY	DATE	APPROVED
-	14136	NEW RELEASE	JV	10/8/93	B.HOWARD
A	16921	UDTD PER BP MODULE & POLAR/GIDE PIN REDESIGN;	JV	2/6/95	D.B.P.
B	18428	CHGD PTH SIZE; SEE SCR	FR	12/5/95	G.GRASSETT
C	19081	MODIFIED DWG; SEE SCR	FR	4/8/96	G.GRASSETT
D	22662	RELEASED INTO CMS	DM	10/15/97	L.McMAHON
E	MLEE-6K5QDQ.VER01	REPLACED DRAWING FORMAT	ML	01/19/06	C.SAMMIS



④ SEE SHEET 2 FOR PART NUMBER CONFIGURATIONS.
 3. DIMENSIONS AND TOLERANCES SUBJECT TO CHANGE WITHOUT NOTICE.
 2. DIMENSIONS AND TOLERANCES ARE IN mm AND INTENDED FOR LAYOUT PURPOSES ONLY.
 NOTES: ① SEE PRODUCT SPECIFICATION TB 2012 FOR MATERIALS AND FINISHES. FOR MIXED CONTACT PATTERNS CONSULT FACTORY FOR AVAILABILITY.

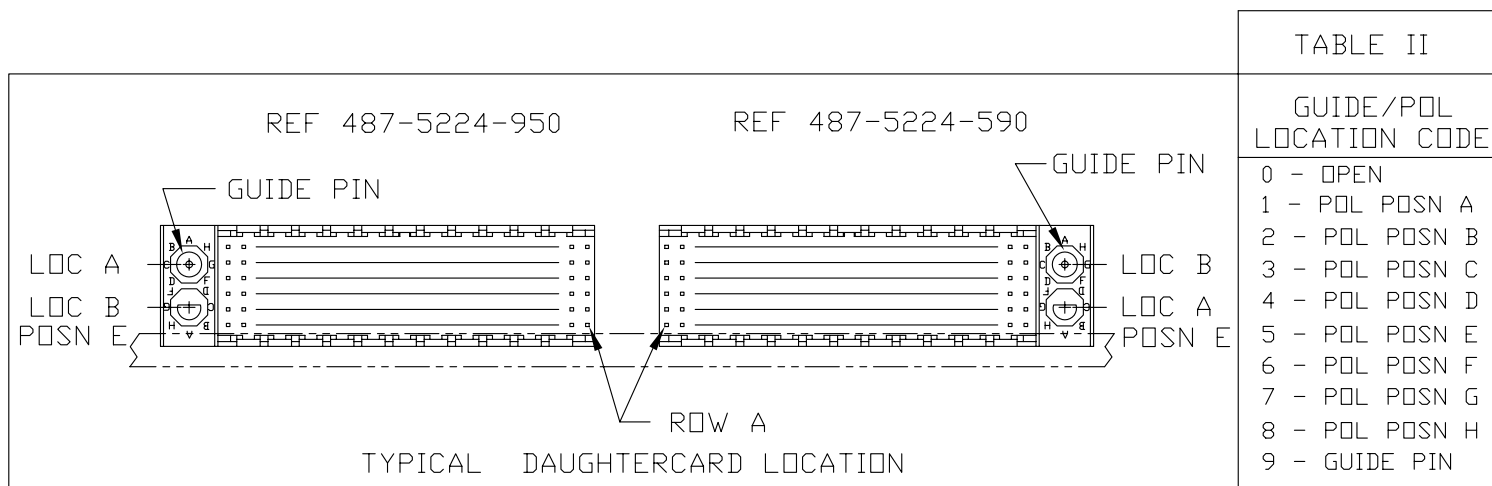
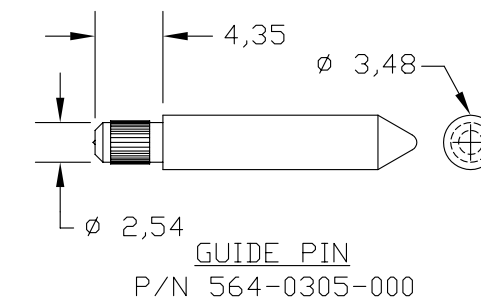
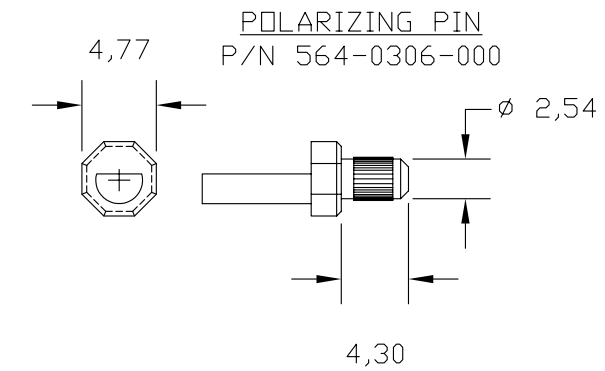
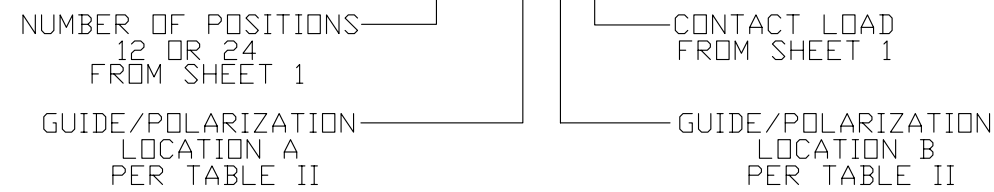
TOLERANCES	DWN 10/8/93 J.VARHEGYI	Amphenol TCS A Division of Amphenol Corporation 44 Simon Street, Nashua, NH 03060 (603) 879-3000
.0	± -	
.00	± -	
.000	± -	
ANGLES	± -	TITLE
UNLESS OTHERWISE SPECIFIED DIMENSIONS ARE IN MILLIMETERS		GUIDE/POLAR MIDPLANE MODULE ASSEMBLY
CUSTOMER USE DRAWING		HDM & HDM ^{PLUS} CONNECTOR
INTERPRET PER ANSI Y14.5		PART NO.
CODE IDENT 31413		SEE TABLE I
		DRAWING NO.
		C-487-5224-000
		REV
		E
		SIZE B
		SCALE 2/1
		SHEET 1 OF 2

DWG NO. C-487-5224-000 SH 1 REV E

REV	SCR NO.	DESCRIPTION	BY	DATE	APPROVED
	-	SEE SHEET 1			

PART NUMBER CONFIGURATION

487-5212-XX2



GUIDE/POL LOCATION CODE
0 - OPEN
1 - POL POSN A
2 - POL POSN B
3 - POL POSN C
4 - POL POSN D
5 - POL POSN E
6 - POL POSN F
7 - POL POSN G
8 - POL POSN H
9 - GUIDE PIN

TOLERANCES	DWN 10/8/93 J.VARHEGYI	Amphenol TCS A Division of Amphenol Corporation 44 Simon Street, Nashua, NH. 03060 (603) 879-3000
.0	± -	
.00	± -	
.000	± -	
ANGLES	APVD 3/17/94 B.HOWARD	TITLE GUIDE/POLAR MIDPLANE MODULE ASSEMBLY HDM & HDM ^{PLUS} CONNECTOR
UNLESS OTHERWISE SPECIFIED DIMENSIONS ARE IN MILLIMETERS		PART NO. SEE TABLE I
CUSTOMER USE DRAWING		DRAWING NO. C-487-5224-000
 INTERPRET PER ANSI Y14.5		REV -
CODE IDENT 31413	SIZE B	SCALE 2/1
		SHEET 2 OF 2

DWG NO. C-487-5224-000 SH 2 REV E