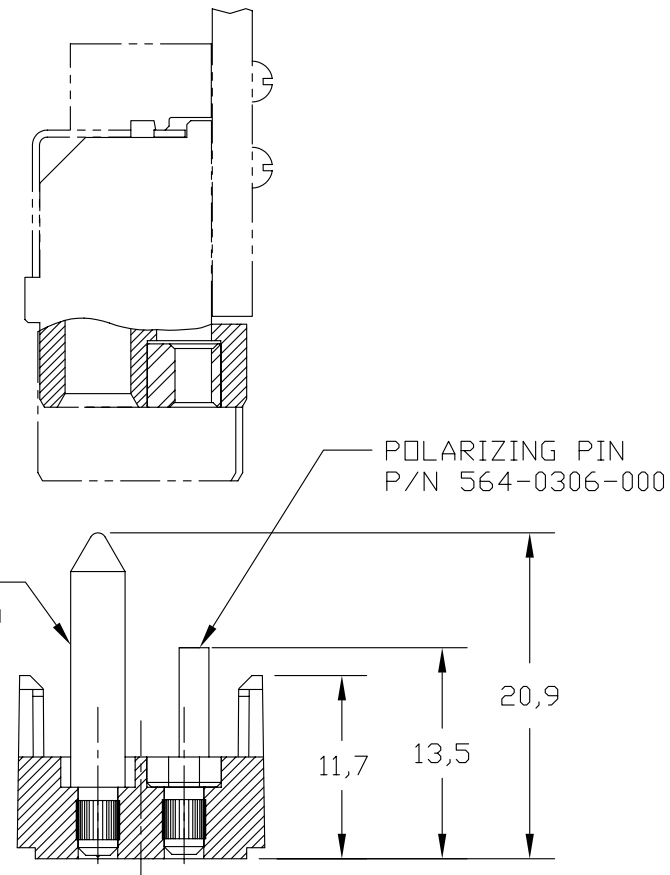
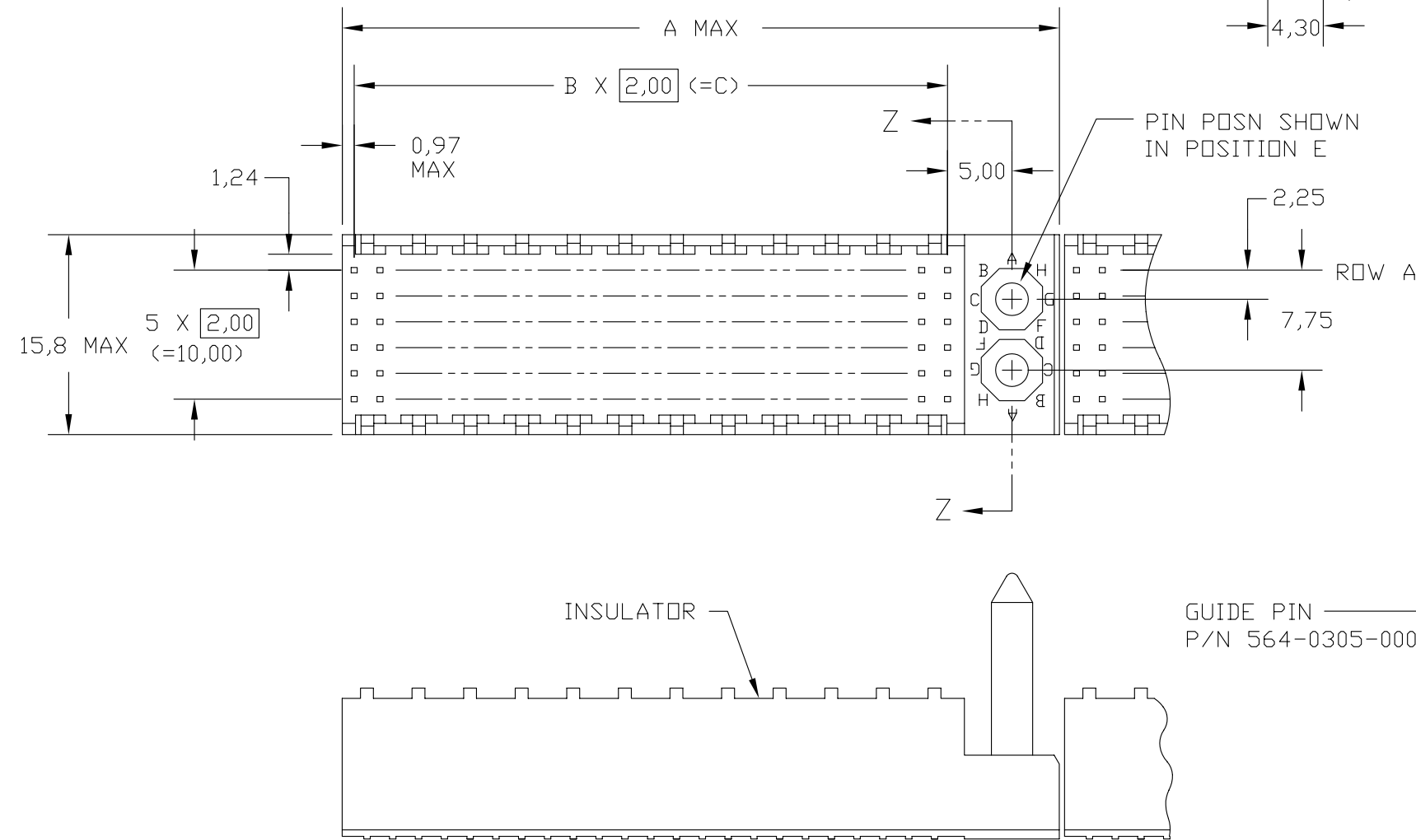


ASSEMBLY P/N	REV	TOTAL NUMBER OF CONTACT POSITIONS	A MAX	B	C
487-6124-950	-	144	56,0	23	46,00
487-6112-950	-	72	32,0	11	22,00

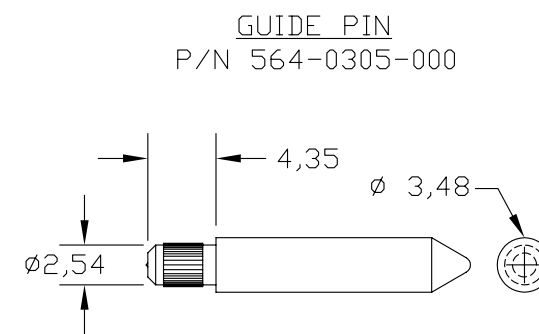
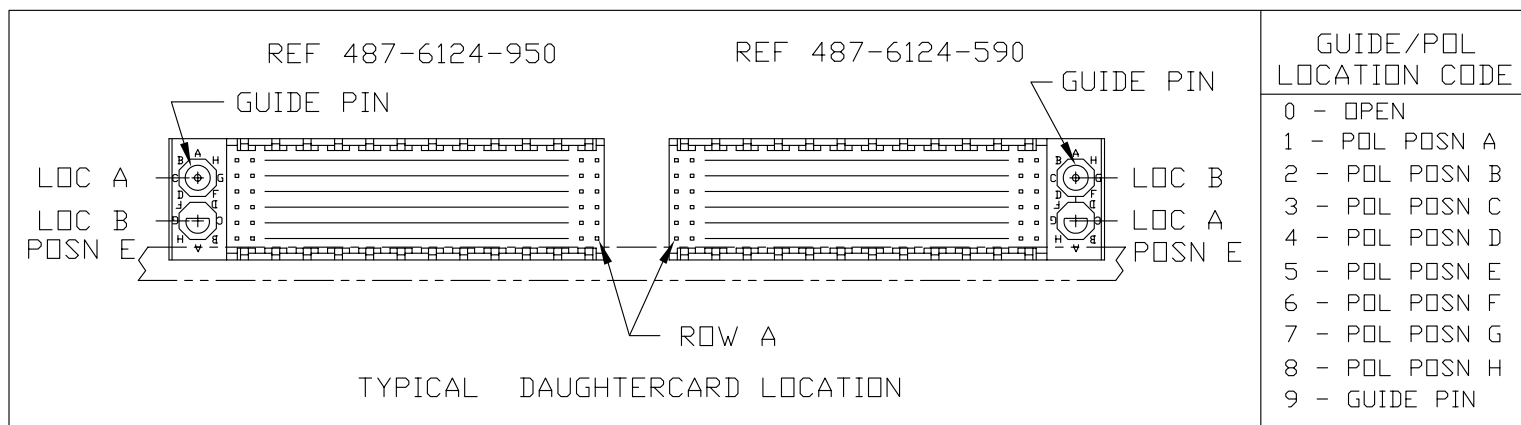
* PART NUMBER IS CONFIGURATION SHOWN

REV	SCR NO.	DESCRIPTION	BY	DATE	APPROVED
-	18326	NEW RELEASE	JV	11/28/95	DBP
A	22662	RELEASED INTO CMS	DM	10/15/97	L.McMAHON
B	MLEE-6K5QDQ.VER01	REPLACED DRAWING FORMAT	ML	01/19/06	C.SAMMIS



2. DIMENSIONS AND TOLERANCES SUBJECT TO CHANGE WITHOUT NOTICE.

NOTES: 1. DIMENSIONS AND TOLERANCES ARE IN mm AND INTENDED FOR LAYOUT AND INFORMATION PURPOSES ONLY.



TOLERANCES	DWN 11/28/95 J.Varhegyi	Amphenol TCS A Division of Amphenol Corporation 44 Simon Street, Nashua, N.H. 03060 (603) 879-3000 TITLE: BACKPLANE TAIL SIDE POLAR/GUIDANCE MODULE ASSEMBLY HDM & HDM PLUS CONNECTOR
.0 ± 0,25	CHK 11/28/95 D.Provencher	
.00 ± 0,13	APVD 11/28/95 D.Provencher	
.000 ± -		
ANGLES ± -		
UNLESS OTHERWISE SPECIFIED DIMENSIONS ARE IN MILLIMETERS		
CUSTOMER USE DRAWING		PART NO. SEE TABLE
INTERPRET PER ANSI Y14.5		DRAWING NO. C-487-6124-000
CODE IDENT 31413	SIZE B	SCALE 2/1
		SHEET 1 OF 1

DWG NO. C-487-6124-000 SH 1 REV B