

PART NUMBER	REV	(J)	# OF POSITIONS	K	L	N	P
489-5224-000	-	(28,00)	144	23	46,00	47,84	24,70
489-5212-000	-	(28,00)	72	11	22,00	23,84	24,70
489-5124-000	-	(17,00)	144	23	46,00	47,84	13,70
489-5112-000	-	(17,00)	72	11	22,00	23,84	13,70
489-5324-000	-	(19,00)	144	23	46,00	47,84	15,70
489-5312-000	-	(19,00)	72	11	22,00	23,84	15,70
489-5424-000	-	(23,00)	144	23	46,00	47,84	19,70
489-5412-000	-	(23,00)	72	11	22,00	23,84	19,70

NUMBER	H
1	4,00
2	15,00
3	6,00
4	10,00

REV	SCR NO.	DESCRIPTION	BY	DATE	APPROVED
-	19060	NEW RELEASE	JV	3/27/96	D.Provencher
A	20258	ADDED P/NS 498-5324 489-5312 498-5424 489-5412;	JV	11/6/96	D.Provencher
B	22662	RELEASED INTO CMS	DM	10/15/97	L.McMAHON

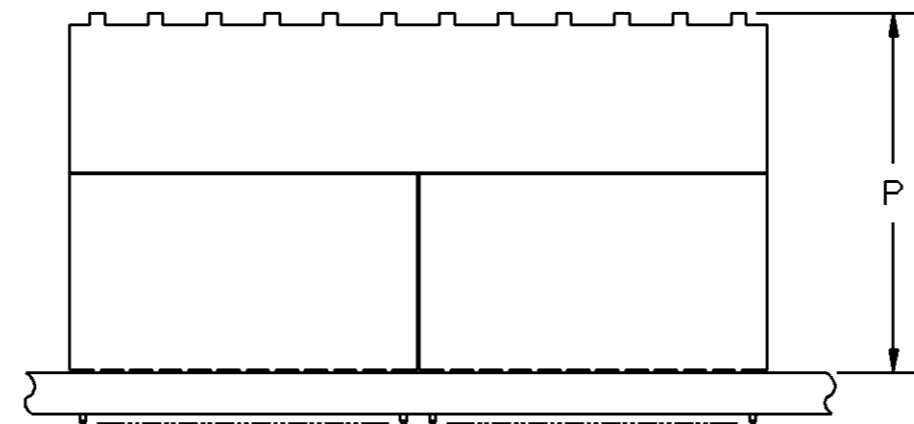
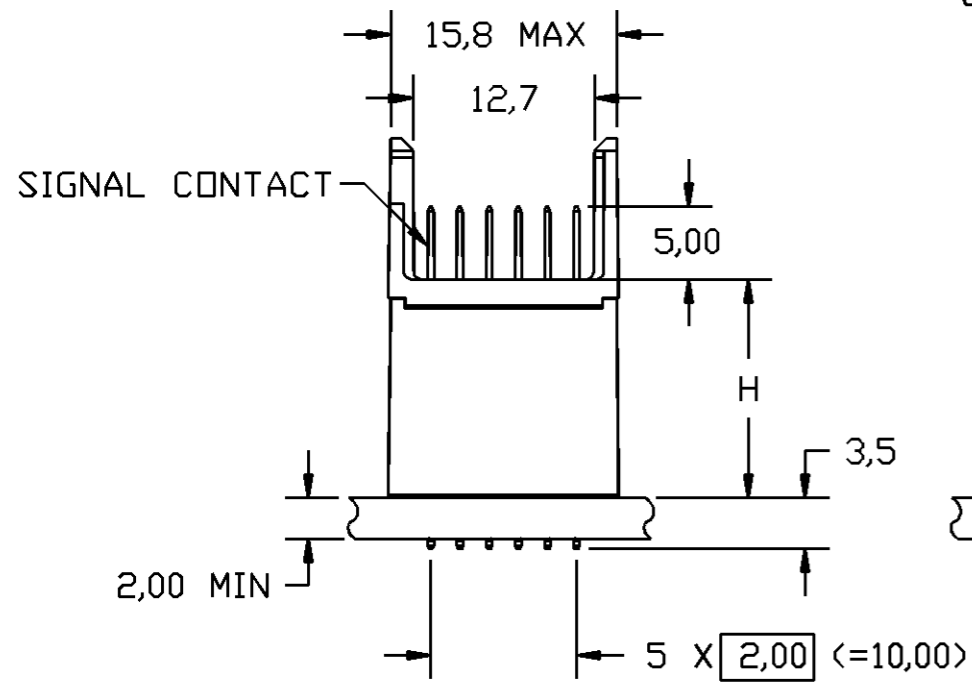
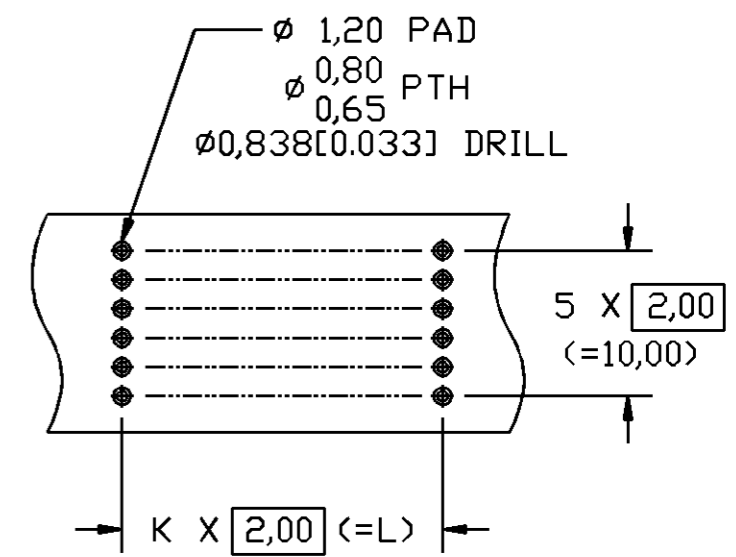
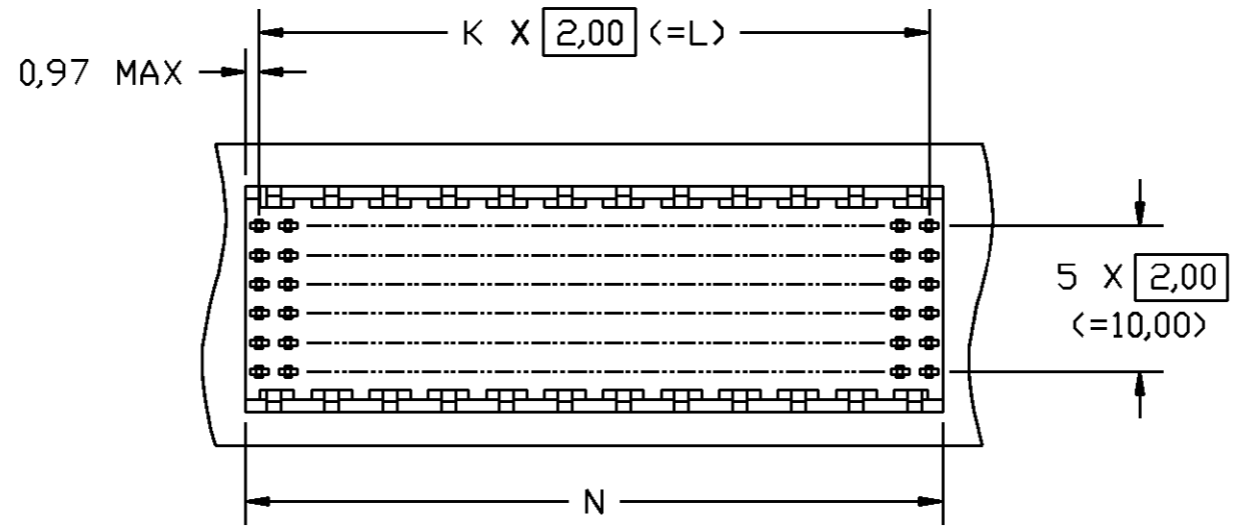
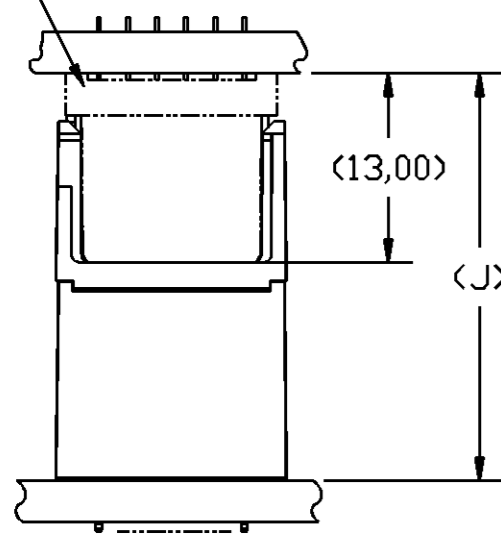
PRESS FIT STACKING CONNECTOR
SEE DRAWING C-488-5312-000

ASSEMBLY DESIGNATION
5 = STANDARD ASSEMBLY

MODULE HEIGHT
DIM (H) SEE TABLE II

489-5 X XX-000

NUMBER OF CONTACT
POSITIONS/ROW



BACKPLANE HOLE PATTERN

TOLERANCES	DWN 3/27/96 J.Varhegyi	 TERADYNE CONNECTION SYSTEMS, INC. 44 SIMON STREET NASHUA, N.H. 03060 (603) 791-3000
.0	± 0,25	
.00	± 0,13	
.000	± -	
ANGLES	APVD 3/29/96 D.Provencher	TITLE HDM MODULE ASSEMBLY VARIABLE HEIGHT STACKING CONNECTOR (OPEN ENDED)
UNLESS OTHERWISE SPECIFIED DIMENSIONS ARE IN MILLIMETERS		PART NO. SEE DRAWING
CUSTOMER USE DRAWING		REV -
 INTERPRET PER ANSI Y14.5		DRAWING NO. C-489-5224-500
REV B		REV B
CODE IDENT 31413	SIZE B	SCALE 2/1
SHEET 1 OF 1		

DWG NO. C-489-5224-500

SH 1

REV B