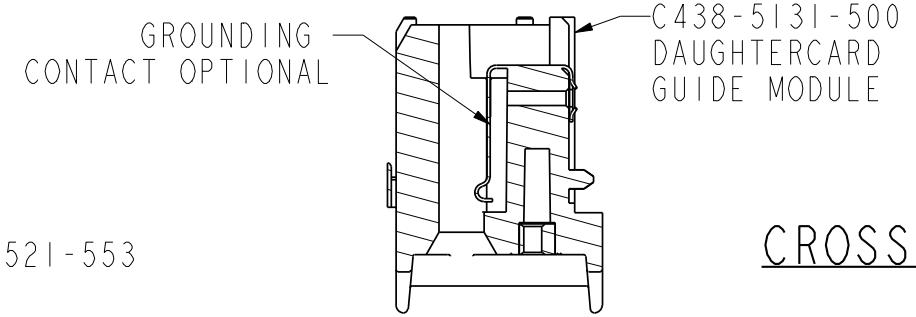
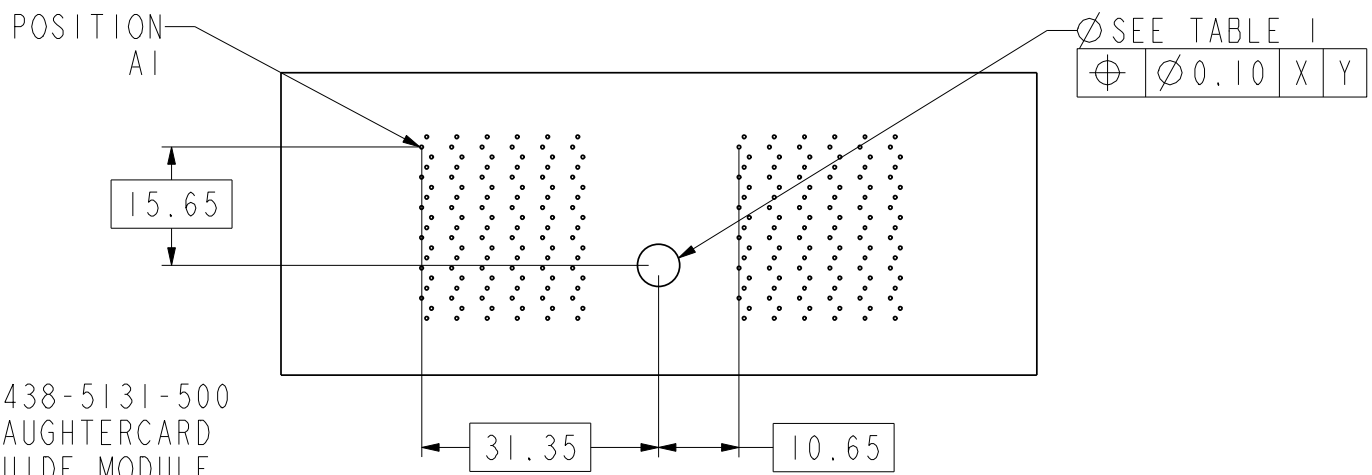
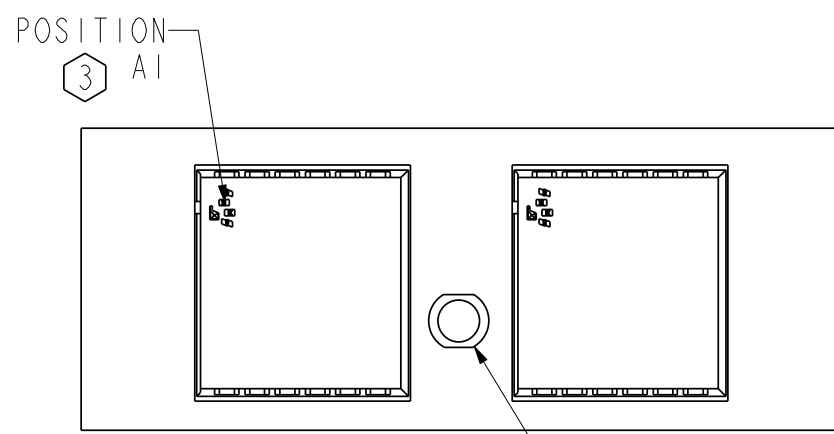


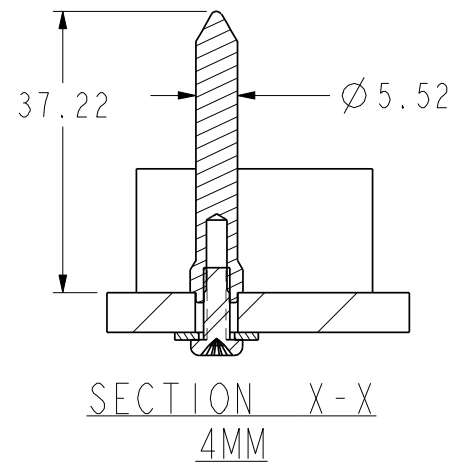
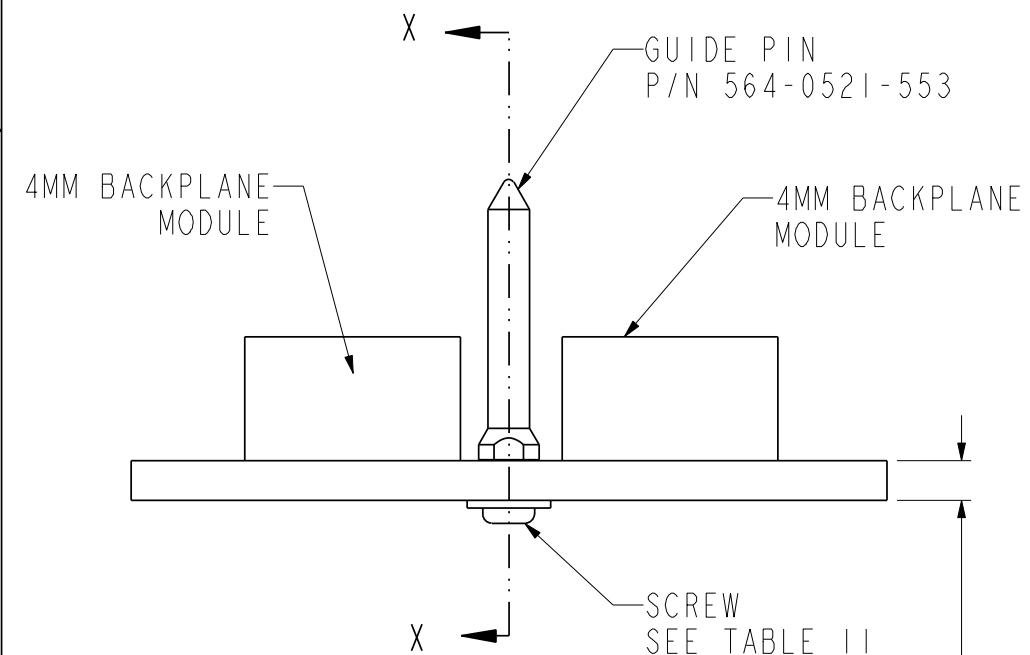
DRW NO. C-564-0521-500 SH 1 REV 02

ZONE	REV	SCR NUMBER	DESCRIPTION	BY	DATE	APPROVED
ALL	01		NEW RELEASE	J.GIROUX	03/08/05	COHEN
	02		REVISED FOR WEBSITE	HCL-BS	03/14/07	J.DUNHAM



CROSSBOW 4MM RECOMMENDED HOLE PATTERN

	GROUNDED	UNGROUNDED
FHS	Ø 5.58-5.73	Ø 5.58-5.73
PAD	Ø 8.5	N/A
PLATED	YES	NO
DRILL (mm)	Ø 5.79	Ø 5.61
DRILL (in)	Ø 0.228	Ø 0.221



GUIDE PIN P/N	SCREW P/N	SCREW DESCRIPTION	BOARD THICKNESS
564-0521-553	800-6496-000	6-32 X .375 LG PHILLIPS PANHEAD W/SQ. CONICAL WASHER	1.60 - 4.00 mm
564-0521-553	800-4135-100	6-32 X .5 LG PHILLIPS PANHEAD W/SQ. CONICAL WASHER	4.00 - 7.50 mm
564-0521-553	800-4147-100	6-32 X .625 LG PHILLIPS PANHEAD W/SQ. CONICAL WASHER	7.50 - 10.00 mm

- NOTES:
- REFER TO TB-2140 FOR PRODUCT SPECIFICATIONS.
 - PLATED THROUGH HOLE TO CONNECT TO CHASSIS FOR GROUNDED WIDE GUIDE MODULE OPTION.
 - REFER TO BP CUSTOMER USE DRAWINGS FOR ROW AND COLUMN ASSIGNMENTS.

5.25 MIN BOARD THICKNESS FOR NON PASS THRU APPLICATIONS
 1.60 MIN BOARD THICKNESS FOR PASS THRU APPLICATIONS

Amphenol TCS
 A Division of Amphenol Corporation
 44 Simon Street, Nashua, NH, 03060 603.879.3000

DESIGN 02/28/05 D.MANTER
 DRAWN 03/08/05 J.GIROUX
 CHK 03/08/05 D.MANTER
 APVD XX/XX/XX COHEN

TITLE CROSSBOW BACKPLANE STAND ALONE WIDE GUIDE PIN

PART NO. 564-0521-553 REV 02

DRAWING NO. C-564-0521-500 REV 02

ProcASSEM Q1098-CU-BP-WIDE-GUIDE-4MM 1.1+
 Q1098-CU-BP-WIDE-GUIDEPIN .drw 1.1+

UNLESS OTHERWISE SPECIFIED DIMENSIONS ARE IN INCHES

CUSTOMER USE DRAWING

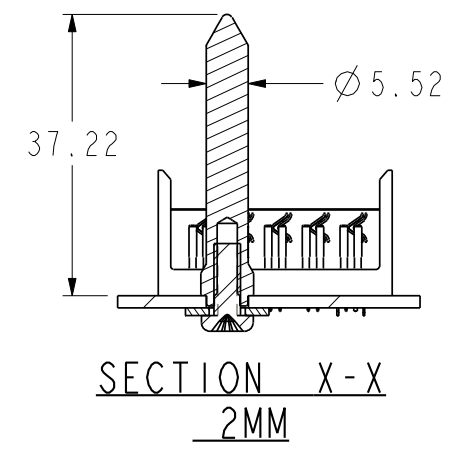
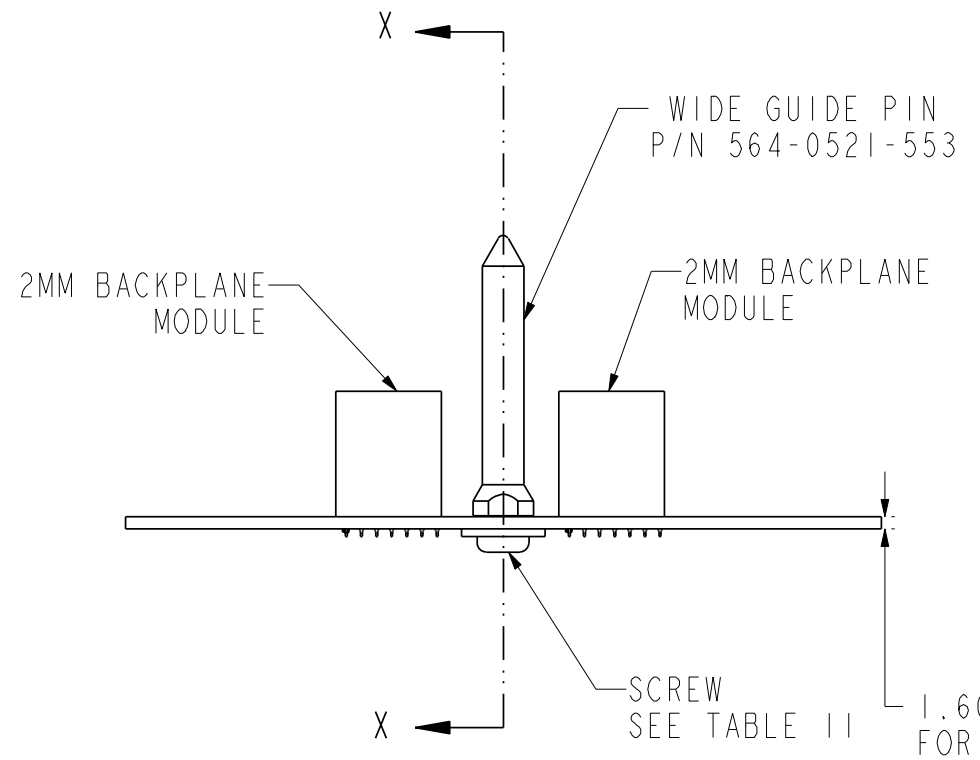
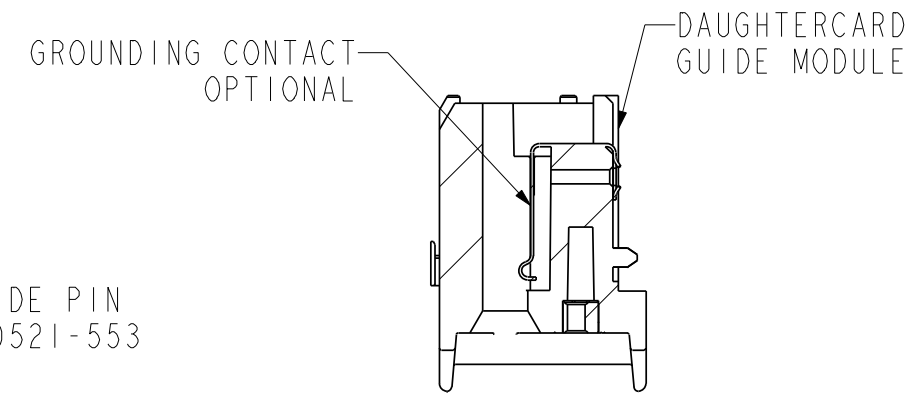
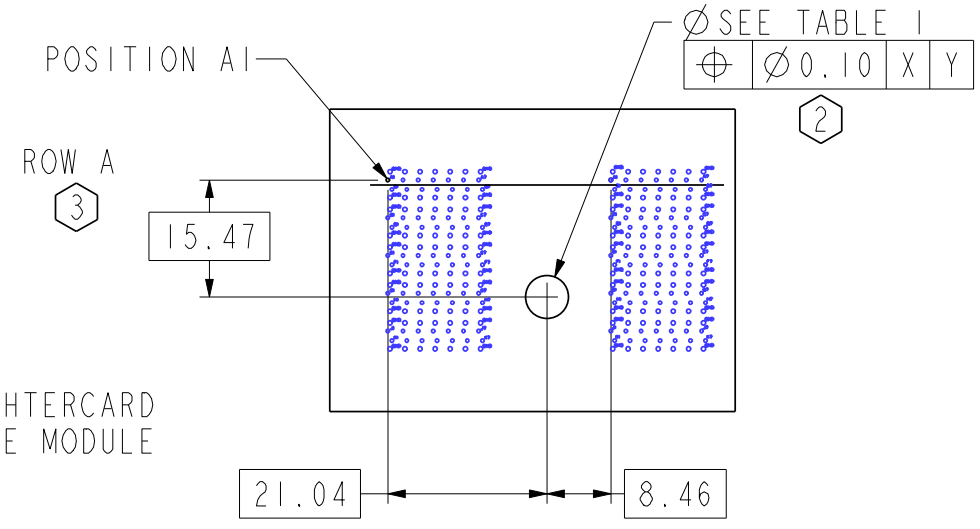
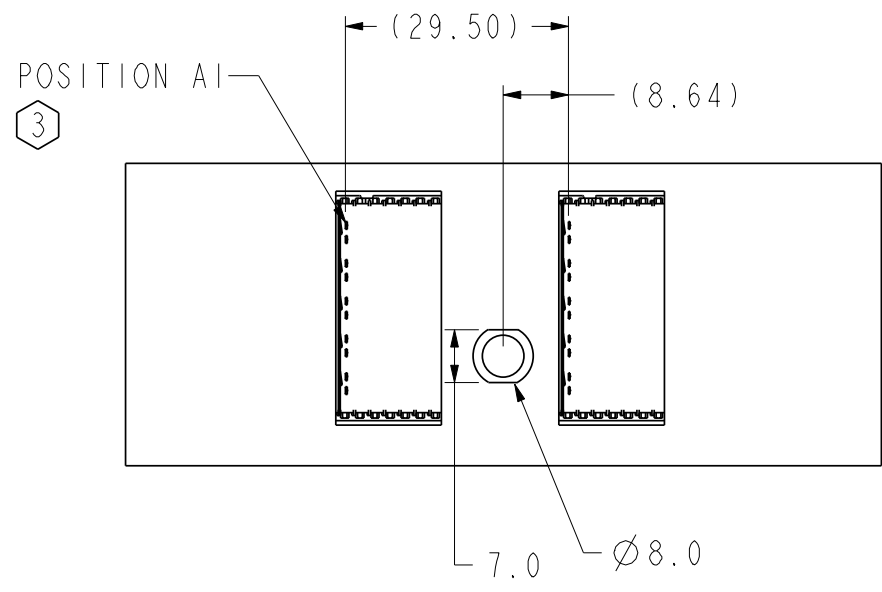
INTERPRET PER ASME Y14.5M
 CODE IDENT 31413

SIZE B SCALE 1/1 SHEET 1 OF 2

DRW NO. C-564-0521-500 SH 1 REV 02

DRW NO. C-564-0521-500 SH 2 REV 02

ZONE	REV	SCR NUMBER	DESCRIPTION	BY	DATE	APPROVED
ALL			SEE SHEET 1			



CROSSBOW 2MM RECOMMENDED HOLE PATTERN

TOLERANCES		DESIGN 02/28/05 D.MANTER
.00	±.25	DRAWN 03/08/05 J.GIROUX
.000	±.13	CHK 03/08/05 D.MANTER
.0000	-	APVD XX/XX/XX COHEN
ANGLES	-	

Amphenol TCS A Division of Amphenol Corporation 44 Simon Street, Nashua, NH, 03060 603.879.3000		TITLE	CROSSBOW BACKPLANE STAND ALONE WIDE GUIDE PIN
		PART NO.	564-0521-553
DRAWING NO.	C-564-0521-500	REV	02
ProcASSEM Q1098-CU-BP-WIDE-GUIDE_4MM Q1098-CU-BP-WIDE-GUIDEPIN .drw		REV	1.1+ 1.1+
SIZE	B	SCALE	1/1
		SHEET	2 OF 2

UNLESS OTHERWISE SPECIFIED DIMENSIONS ARE IN INCHES

INTERPRET PER ASME Y14.5M

CODE IDENT 31413

CUSTOMER USE DRAWING

DRW NO. C-564-0521-500 SH 2 REV 02