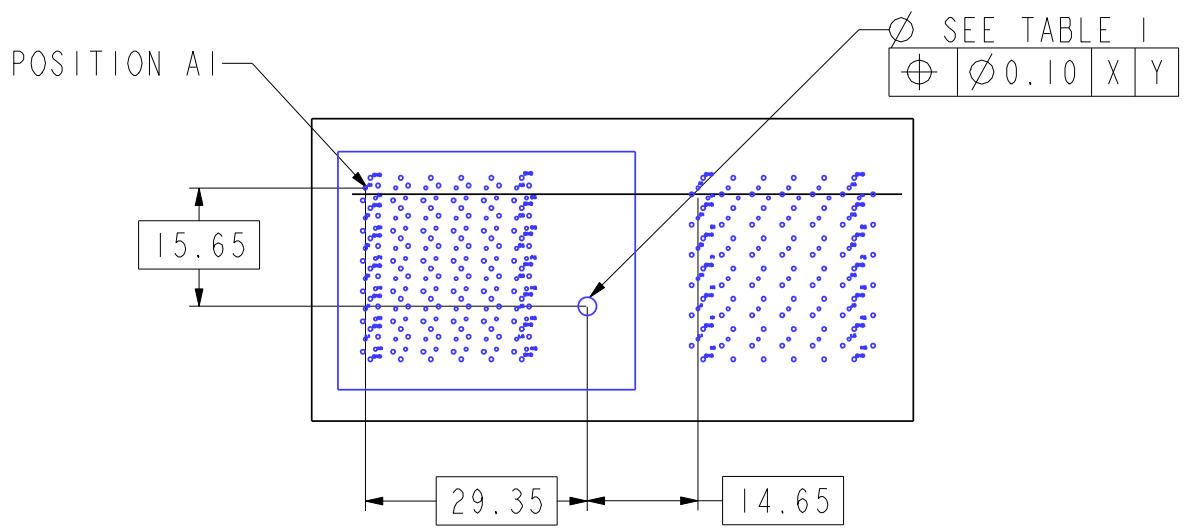
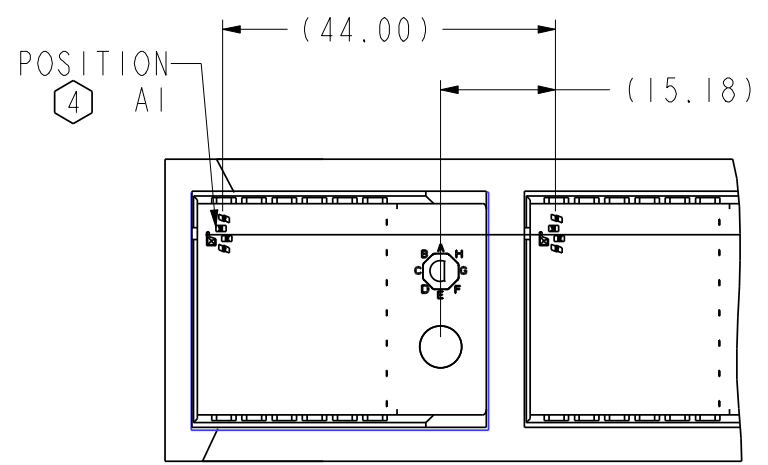
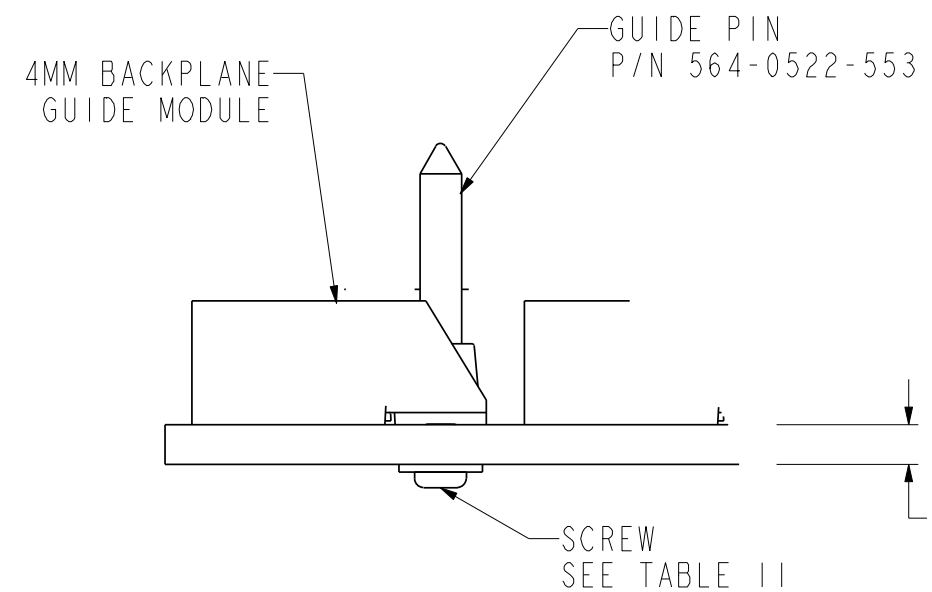


ZONE	REV	SCR NUMBER	DESCRIPTION	BY	DATE	APPROVED
ALL	01		NEW RELEASE	J.GIROUX	04/29/05	COHEN
	02		REVISED FOR WEBSITE	HCL-BS	02/26/07	DUNHAM



**CROSSBOW 4MM RECOMMENDED HOLE PATTERN**

	GROUNDED	UNGROUNDED
FHS	Ø 5.58-5.73	Ø 5.58-5.73
PAD	Ø 8.5	N/A
PLATED	YES	NO
DRILL (mm)	Ø 5.79	Ø 5.61
DRILL (in)	Ø 0.228	Ø 0.221



5.25 MIN BOARD THICKNESS FOR PASS THROUGH APPLICATIONS  
 1.60 MIN BOARD THICKNESS FOR NON PASS THROUGH APPLICATIONS

GUIDE PIN P/N	SCREW P/N	SCREW DESCRIPTION	BOARD THICKNESS
564-0522-553	800-6496-000	6-32 X .375 LG PHILLIPS PANHEAD W/SQ. CONICAL WASHER	1.60 - 4.00 mm
564-0522-553	800-4135-100	6-32 X .5 LG PHILLIPS PANHEAD W/SQ. CONICAL WASHER	4.00 - 7.50 mm
564-0522-553	800-4147-100	6-32 X .625 LG PHILLIPS PANHEAD W/SQ. CONICAL WASHER	7.50 - 10.00 mm

- NOTES:
- REFER TO TB-2140 FOR PRODUCT SPECIFICATIONS.
  - PLATED THROUGH HOLE TO CONNECT TO CHASSIS FOR GROUNDED GUIDE OPTION. SEE TB-2196 FOR DETAILED ROUTING GUIDELINES.
  - MOUNTING SCREW MAY BE USED FOR HIGHER BOARD WEIGHT APPLICATIONS. FOR BOARD WEIGHT GREATER THAN 8 LBS., USE MOUNTING SCREWS. SEE TB-2160 FOR BOARD WEIGHT LIMITATIONS.
  - REFER TO BP CUSTOMER USE DRAWINGS FOR ROW AND COLUMN ASSIGNMENTS.

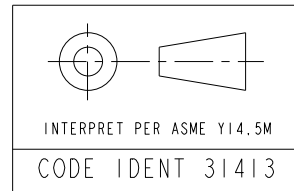
TOLERANCES	DESIGN	02/28/05 D.MANTER
0.0	±0.25	DRAWN 04/29/05 J.GIROUX
0.00	±0.13	CHK 04/29/05 D.MANTER
0.000	± -	APVD XX/XX/XX COHEN
ANGLES	± -	

**Amphenol TCS**  
 A Division of Amphenol Corporation  
 44 Simon Street, Nashua, NH, 03060 603.879.3000

TITLE: OPTIONAL HOLE FOR BACKPLANE MODULE CROSSBOW

PART NO.	283-6006-500	REV	02
DRAWING NO.	C-564-0522-500	REV	02
ProcPART	Q1098-CU-BP-GUIDE_4MM		1.1
	Q1098-CU-BP-GUIDEPIN_4MM.dwg		1.1+

SIZE B SCALE 1/1 SHEET 1 OF 1



CUSTOMER USE DRAWING

DRW NO. C-564-0522-500  
 SH 1  
 REV 02