

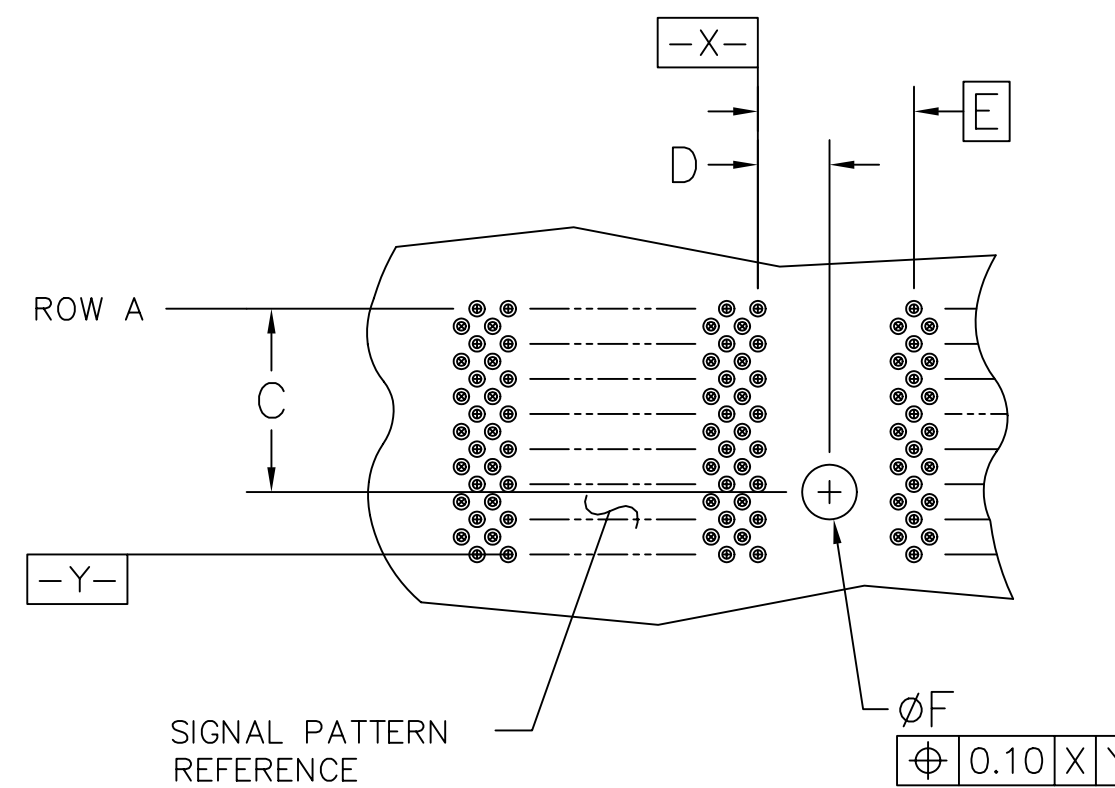
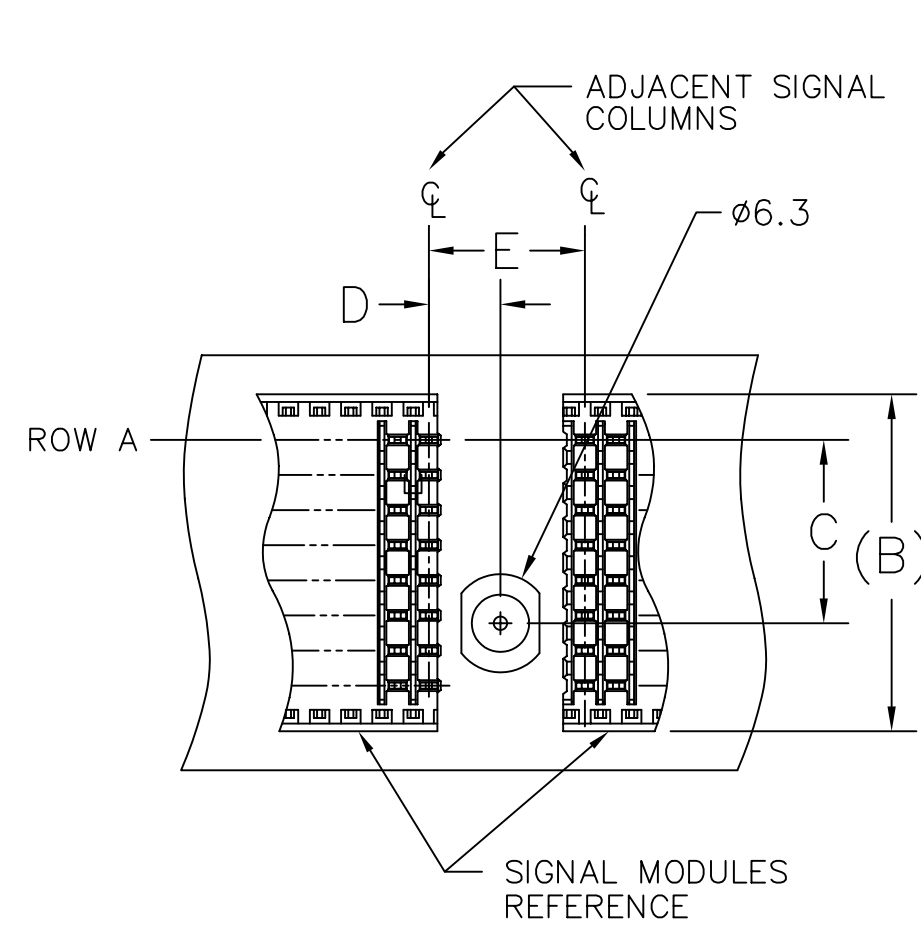
ZONE	REV	SCR NO.	DESCRIPTION	BY	DATE	APPROVED
	E	33919	N.RELEASE, WAS C564-0383-553	RV	2/20/01	J.FERRARO
	F	36383	REMOVED TABLE II	SG	9/4/01	J.FERRARO
	G	36540	ADDED TABLE II	SG	9/20/01	P.COON
	H	36611	MODIFIED DIM "H" IN TABLE II	SG	9/28/01	P.COON
	J	37082	ADDED DIM "M" IN TABLE II	SG	11/28/01	LI
	K	37874	MODIFIED DIM "H"	SG	2/25/02	LI
	L	38306	MODIFIED DIM "H"	SG	4/4/02	LI
	M	39534	MODIFIED TABLE II	SG	8/12/02	LI
	N	KTAR-5UCKXK.VER02	ADD PN 564-0504-553 TO TABLE CHG FORMAT TO C SIZE	ML	01/23/04	K.TABER
	P	KLEC-679S8M.VER01	ADD PN 564-0511-553 TO TABLE	SG	1/21/04	K.LEBLANC
	R	MLEE-6K5QM.VER01	REPLACED DRAWING FORMAT	ML	01/19/06	C.SAMMIS
	T	SBAR-6TFN7N.VER01	CHANGED 577-0003-000 TO 577-0025-000	HCL AP	09/21/06	K.LEBLANC
	U	MHAN-7CQQZ4.VER01	ADDED eHSD 5 FOOTPRINT	HCL-RK	04/01/08	M.HANRAHAN
	V	MHAN-7EWPMZ.VER01	ADDED DIMENSION G AND J TO TABLE 1 AND MOVED THE eHSD 5 FOOTPRINT VIEW	HCL-MR	05/28/08	U.MAYORAL

TABLE 1

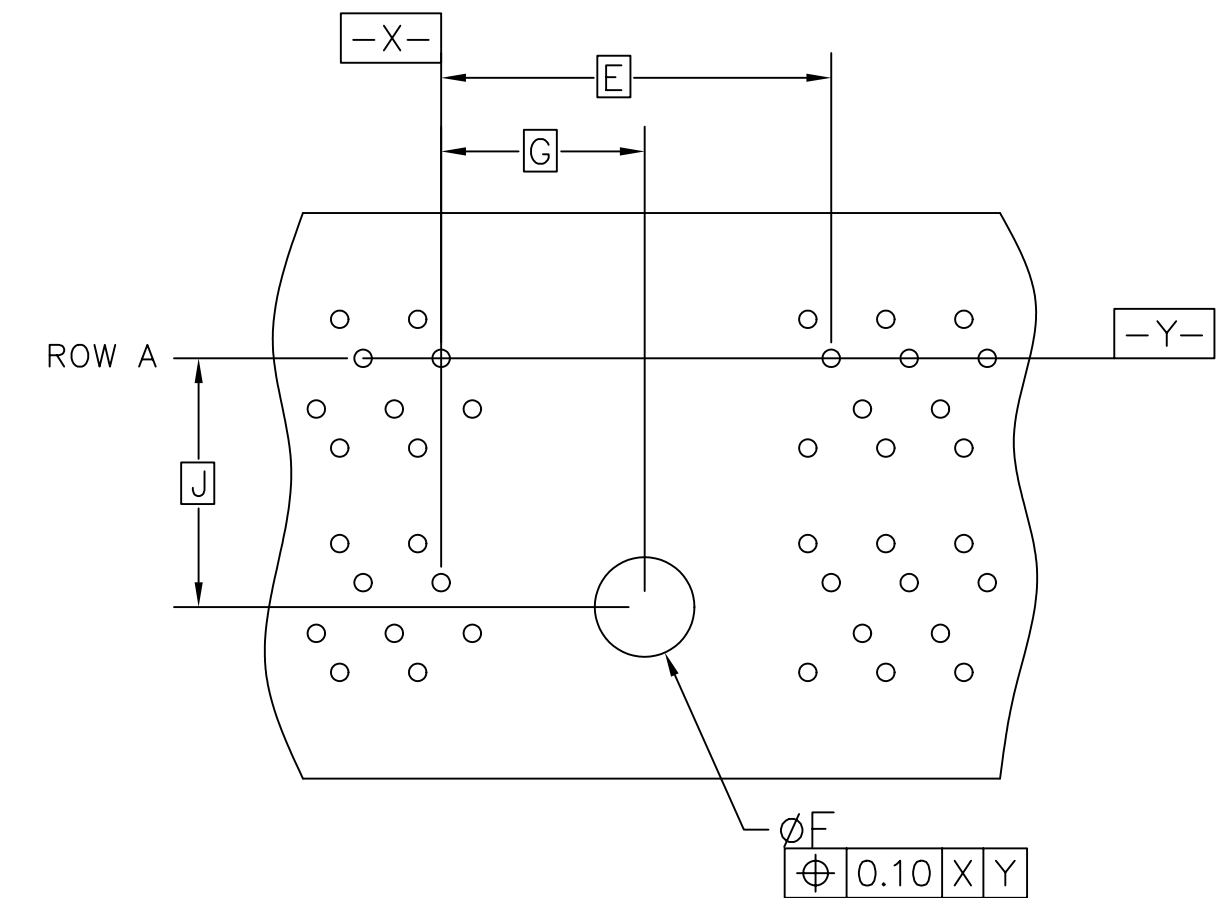
USED WITH	(DIM B)	DIM C	DIM D	DIM E	Ø F	DIM G	DIM J
VHDM 8 ROW	(21.6)	11.75	4.59	10.00	Ø3.525/3.450 UNPLATED	-	-
VHDM 6 ROW	(17.1)	9.96	4.59	10.00	Ø3.525/3.450 UNPLATED	-	-
HSD 5 ROW	(14.5)	6.85	4.84	10.00	Ø3.525/3.450 UNPLATED	-	-
eHSD 5 ROW	(14.5)	6.85	4.84	10.00	Ø3.525/3.450 UNPLATED	5.24	6.37
HSD 5 ROW (ESD) GROUNDED GUIDE	(14.5)	6.45	6.60	14.00	Ø3.525/3.450 PLATED Ø5.5 PAD, BOTH SIDES	-	-
8 ROW (ESD) GROUNDED GUIDE	(21.6)	11.75	5.59	12.00	Ø3.525/3.450 PLATED Ø5.5 PAD, BOTH SIDES	-	-
6 ROW (ESD) GROUNDED GUIDE	(14.5)	9.25	5.59	12.00	Ø3.525/3.450 PLATED Ø5.5 PAD, BOTH SIDES	-	-
6 ROW (ESD) GROUNDED GUIDE	(14.5)	9.25	5.59	12.00	Ø3.525/3.450 PLATED Ø5.5 PAD, BOTH SIDES	-	-

TABLE II

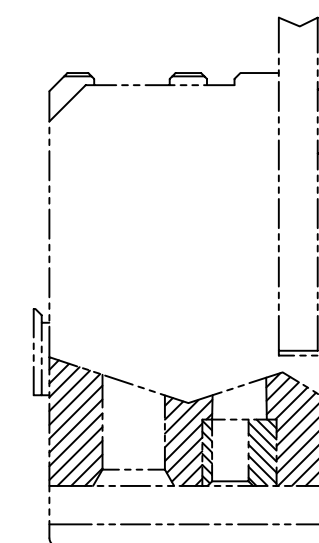
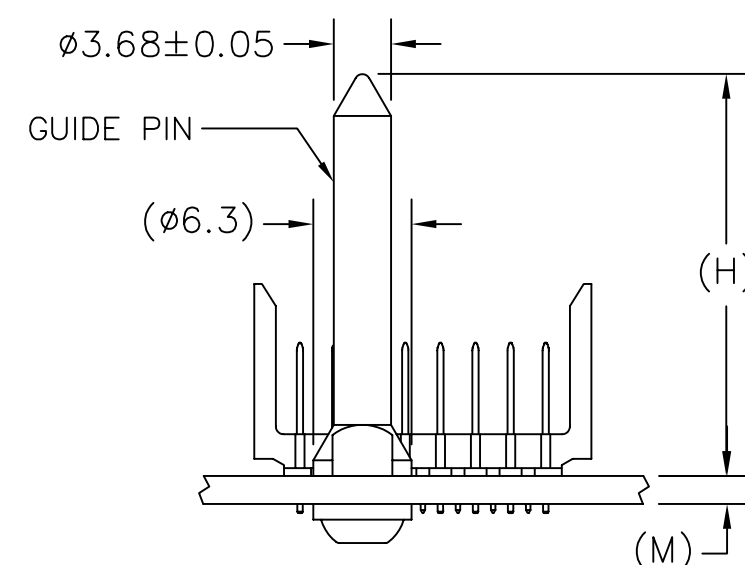
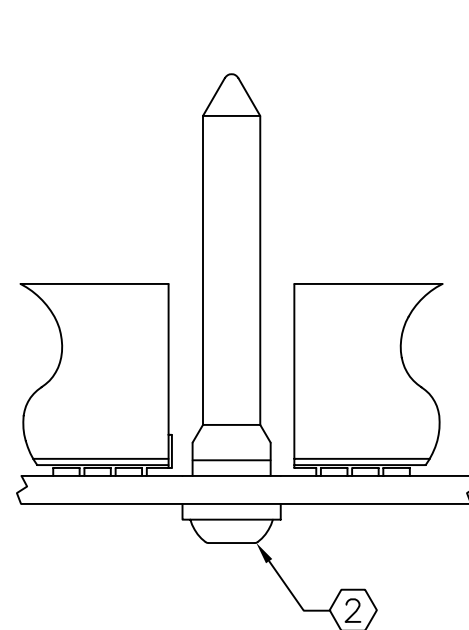
PART NUMBER	REV	(H)	KIT #	SCREW PART NUMBER	SCREW PART NUMBER	BOARD THICKNESS (mm)
564-0383-553	B	25.8	552-1733-000 552-1740-000	577-0025-000 577-0019-000	#2-56 X 9.5mm #2-56 X 12.7mm	1.8 - 8.9 8.9 - 12
564-0481-553	B	22.0	552-1734-000	577-0025-000	#2-56 X 9.5mm	5.2 - 12
564-0504-553	-	22.0	552-1866-000	577-0025-000	#2-56 X 9.5mm	1.8 - 8.9
564-0511-553	-	19.9	552-1962-000	577-0025-000	#2-56 X 9.5mm	1.8 - 8.9



BACKPLANE HOLE PATTERN GUIDE PIN



eHSD 5 ROW BACKPLANE HOLE PATTERN, CONNECTOR SIDE GUIDE PIN



2 INCLUDES PANHEAD SCREW WITH A SQ. CONICAL WASHER. SEE TABLE II
 NOTES: 1. DIMENSIONS AND TOLERANCES ARE IN MILLIMETERS,

INTERPRET PER ANSI Y14.5
 CODE IDENT 31413

TOLERANCES		DRAWN 2/14/97	Amphenol TCS A Division of Amphenol Corporation 44 Simon Street, Nashua, N.H. 03060 (603) 879-3000
0.0	± 0.25	J.VARHEGYI	
0.00	± 0.13	CHK 2/17/97	
0.000	± -	D.PROVENCNER	
ANGLES	± -	APVD 9/2/98	TITLE
UNLESS OTHERWISE SPECIFIED DIMENSIONS ARE IN MILLIMETERS			FREE STANDING GUIDE PIN VHDM BACKPLANE
CUSTOMER USE DRAWING		PART NO.	REV
		SEE TABLE II	
		DRAWING NO.	REV
		C-564-0383-500	V
SIZE C	SCALE 2/1	SHEET 1 OF 1	