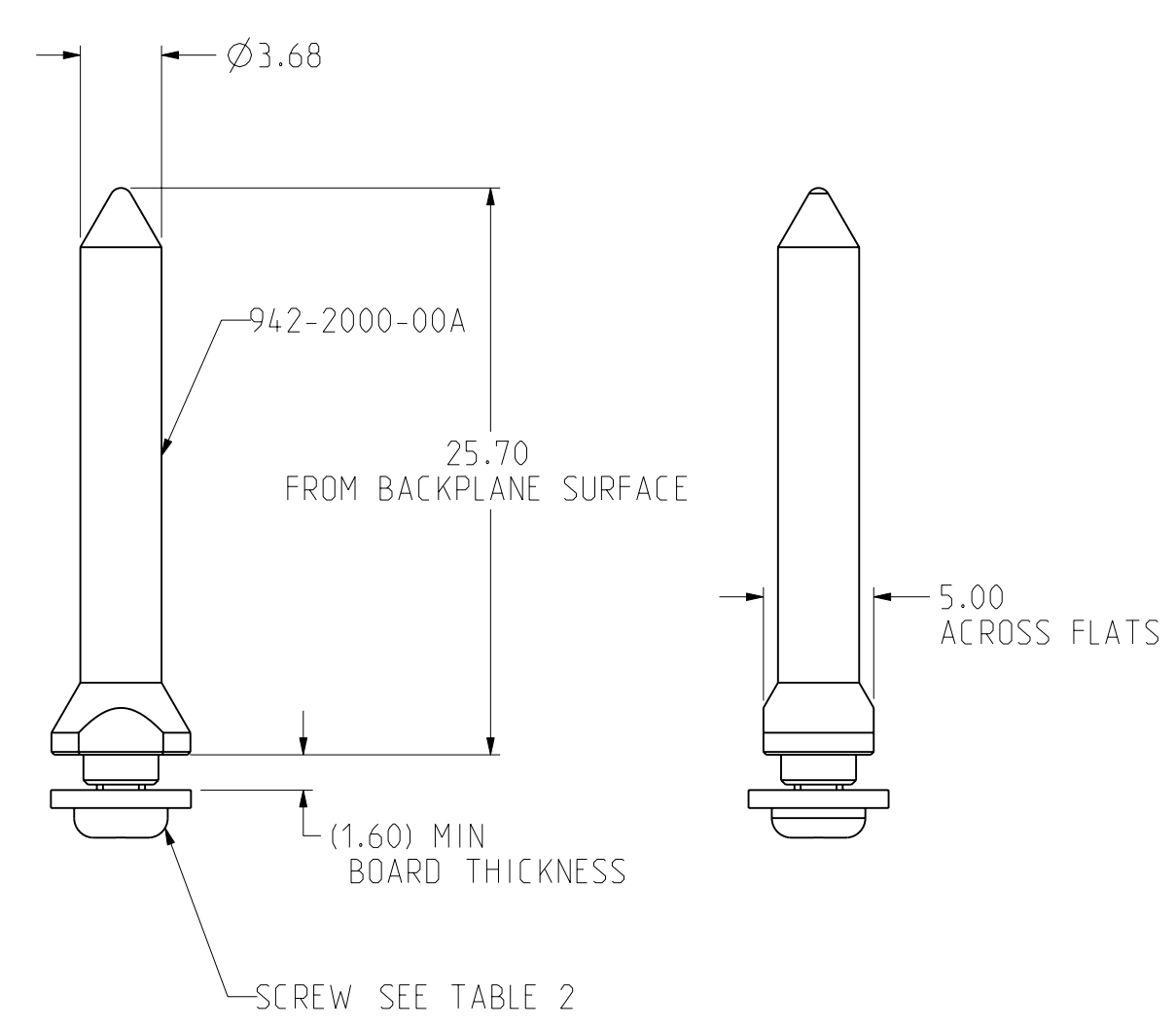
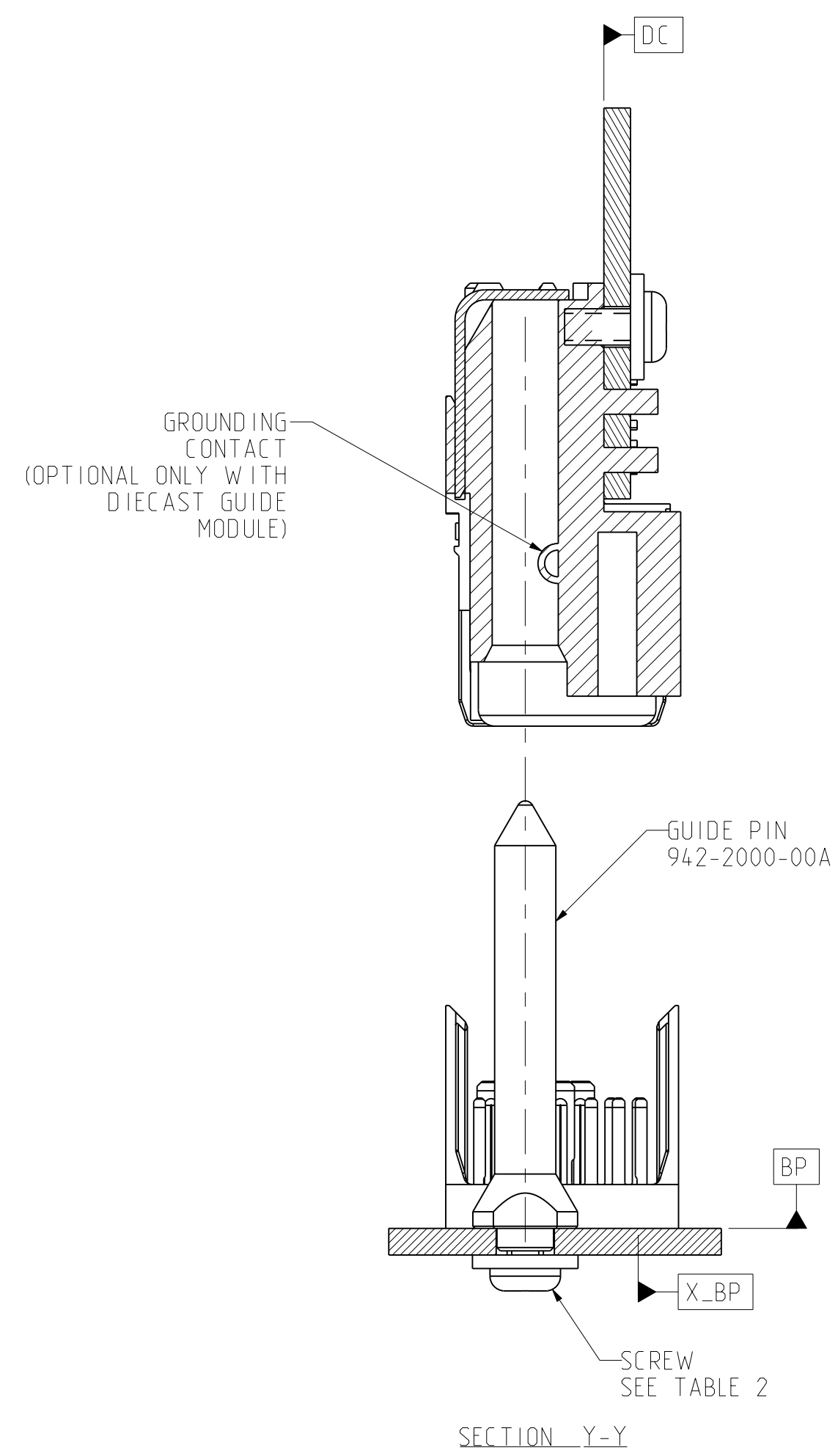
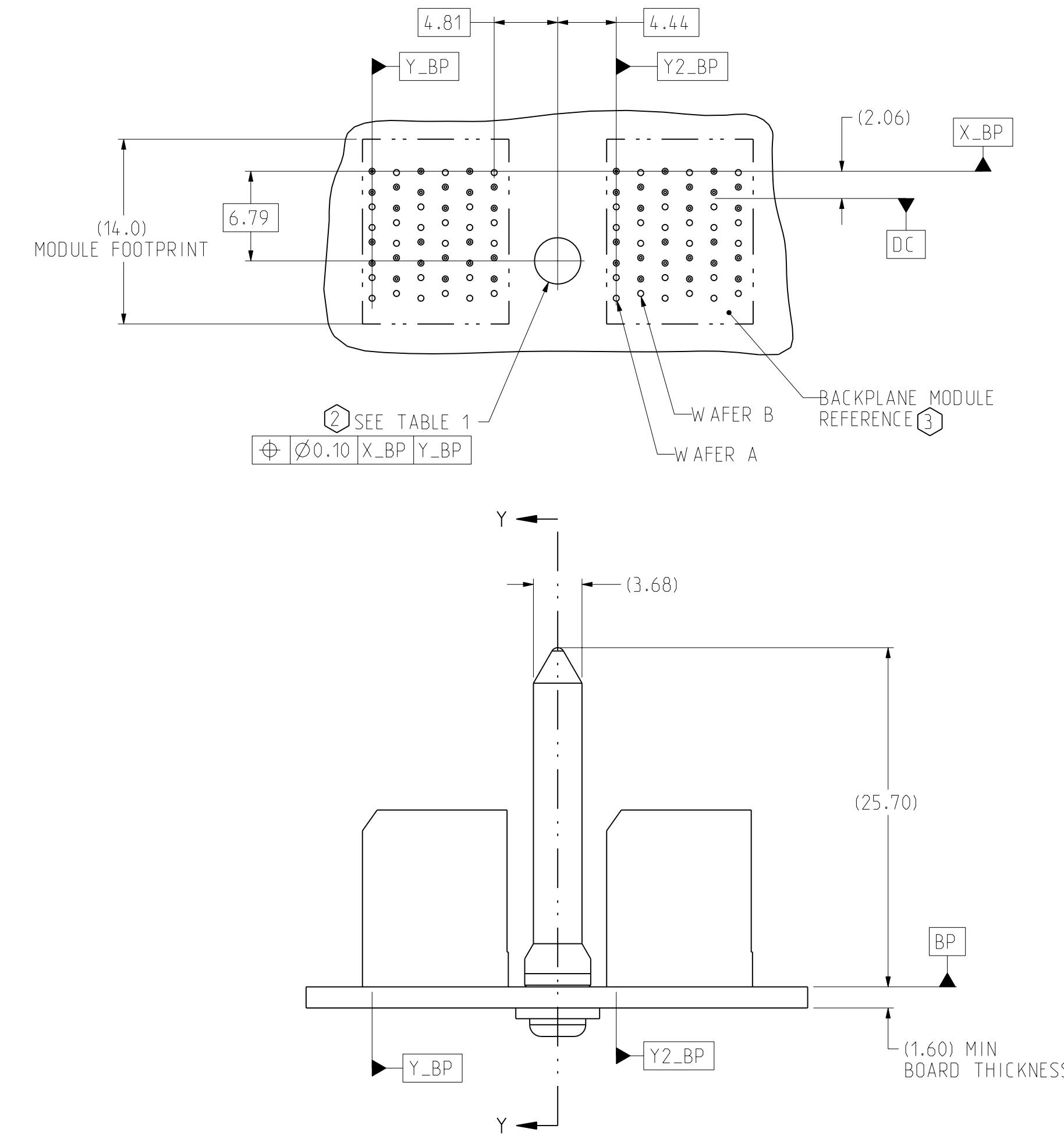


ZONE	REV	SCR NUMBER	DESCRIPTION	BY	DATE	APPROVED
ALL	A	AASY-7L5Q87.VER01	NEW RELEASE	HCL-RB	11/12/2008	D.SMITH



	UNGROUND	GROUND ²
FHS	Ø3.48 - 3.63	Ø3.48 - 3.63
PAD	N/A	Ø6.5
PLATED	NO	YES
DRILL (mm)	3.57 mm	3.66 mm
DRILL (in)	0.1405"	0.144"

SCREW P/N	DESCRIPTION	BOARD THICKNESS
577-0014-000	#2-56 X 0.375" LG. PHILIPS PANHEAD W/SQ CONICAL WASHER	1.60 - 5.00 mm
577-0015-000	#2-56 X 0.5" LG. PHILIPS PANHEAD W/SQ CONICAL WASHER	5.00 - 8.00 mm
577-0016-000	#2-56 X 0.625" LG. PHILIPS PANHEAD W/SQ CONICAL WASHER	8.00 - 10.00 mm

- NOTES:
- REFER TO TB-2150 FOR Xcde PRODUCT SPECIFICATIONS.
 - ² PLATED THRU HOLE TO CONNECT TO CHASSIS FOR GROUNDED GUIDE MODULE OPTION. SEE TB-2149 FOR ROUTING GUIDELINES.
 - ³ REFER TO BP CUSTOMER USE DRAWINGS FOR ROW AND COLUMN ASSIGNMENTS.

TOLERANCES	DESIGN 06/29/2007 LEIGHTON	Amphenol TCS A Division of Amphenol Corporation 200 Innovative Way, Nashua, NH 03062 603.879.3000
0.0 ±0.25	DRAWN 06/29/2007 LEIGHTON	
0.00 ±0.13	CHK 07/02/2007 A.PFAHNL	
0.000 ± -	APVD 07/02/2007 A.PFAHNL	
ANGLES ± 3°	TITLE STANDALONE, GUIDE PIN, Ø3.68 mm Xcde 2 PAIR BACKPLANE	
PART NO. 942-2000-00A REV N/A		SHEET 1 OF 1
DRAWING NO. C942-2000-000 REV A		
ProE ASSEM P1109-BP-GUIDE-STANDALONE-2P C942-2000-000--BP2-GUIDED.drw 1.4 3.4		
UNLESS OTHERWISE SPECIFIED DIMENSIONS ARE IN MM, DECIMAL MAKER IS PERIOD	CUSTOMER USE DRAWING	
INTERPRET PER ASME Y14.5M CODE IDENT 31413	SIZE D	SCALE 3/1

DRW NO. C942-2000-000 SH 1 REV A