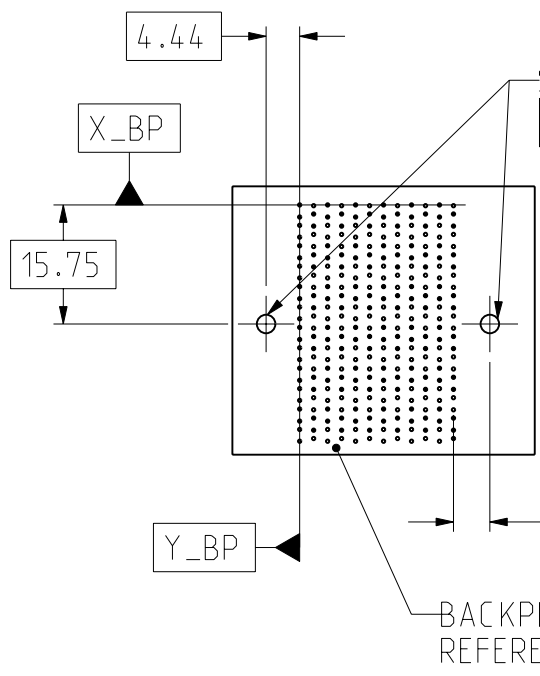


ZONE	REV	SCR NUMBER	DESCRIPTION	BY	DATE	APPROVED
ALL	A	AASY-7L5Q87.VER01	NEW RELEASE	HCL-RB	11/12/2008	D.SMITH

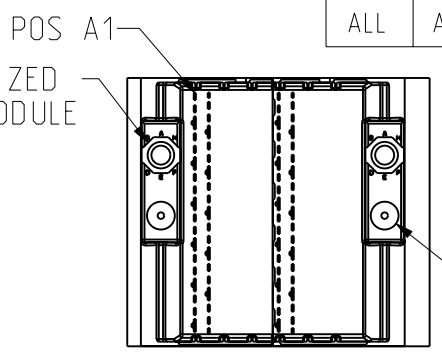
RECOMMENDED BP HOLE LAYOUT FOR 6 PAIR



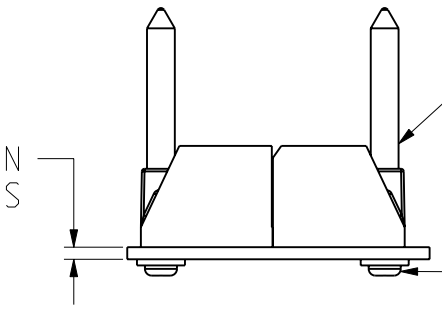
SEE TABLE 1 2

\varnothing	$\varnothing 0.15$	X_BP	Y_BP
---------------	--------------------	------	------

LEFT POLARIZED
6 PAIR BP MODULE



RIGHT POLARIZED
6 PAIR BP MODULE



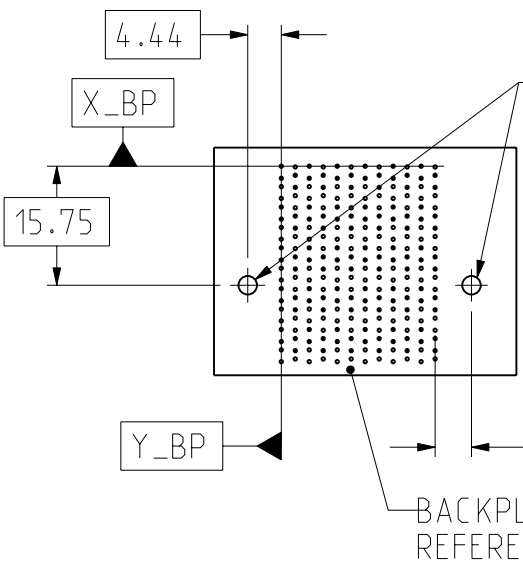
GUIDE PIN P/N
942-4010-00A

SCREW
SEE TABLE 2

TABLE 1

	UNGROUND	GROUND 2
FHS	$\varnothing 2.35 - \varnothing 2.55$	$\varnothing 2.35 - \varnothing 2.55$
PAD	N/A	$\varnothing 5.50$
PLATED	NO	YES
DRILL (mm)	2.44 mm	2.58 mm
DRILL (in)	0.096"	0.1015"

RECOMMENDED BP HOLE LAYOUT FOR 5 PAIR

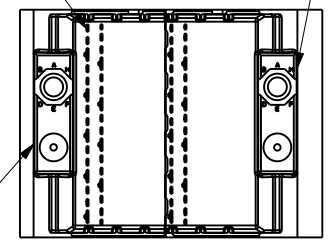


SEE TABLE 1 2

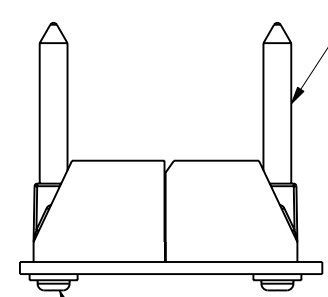
\varnothing	$\varnothing 0.15$	X_BP	Y_BP
---------------	--------------------	------	------

PIN A1

LEFT POLARIZED
5 PAIR BP MODULE



RIGHT POLARIZED
5 PAIR BP MODULE



GUIDE PIN P/N
942-4010-00A

SCREW
SEE TABLE 2

TABLE 2

SCREW P/N	DESCRIPTION	BOARD THICKNESS
577-0014-000	# 2-56 X 0.375" LG. PHILIPS PANHEAD W/SQ CONICAL WASHER	1.60 - 5.00 mm
577-0015-000	# 2-56 X 0.5" LG. PHILIPS PANHEAD W/SQ CONICAL WASHER	5.00 - 10.00 mm

NOTES

- REFER TO TB-2150 FOR XCede PRODUCT SPECIFICATIONS.
- 2 PLATED THROUGH HOLE TO CONNECT TO CHASSIS FOR GROUNDED GUIDE OPTION. SEE TB-2149 FOR DETAILED ROUTING GUIDELINES.
- MOUNTING SCREW MAY BE USED FOR HIGHER BOARD WEIGHT APPLICATIONS. SEE TB-2211 FOR BOARD WEIGHT LIMITATIONS.
- 4 REFER TO BP CUSTOMER USE DRAWINGS FOR ROW AND COLUMN ASSIGNMENTS.

TOLERANCES

0.0	± 0.25
0.00	± 0.13
0.000	$\pm -$
ANGLES	$\pm 3^\circ$

DESIGN 10/27/2008
A.ASTBURY

DRAWN 10/27/2008
HCL-GM

CHK 10/27/2008
A.ASTBURY

APVD 10/27/2008
D.SMITH

Amphenol TCS
A Division of Amphenol Corporation
200 Innovative Way, Nashua, NH 03062 603.879.3000

TITLE
OPTIONAL HOLE FOR BP MODULE
MOUNTED GUIDE PIN. $\varnothing 3.68$ mm. XCede 3.4.5.6 PAIR

PART NO. 942-4010-00A REV N/A

DRAWING NO. C942-4010-000 REV A

ProeASSEM Q1109-BP-OPTIONAL-HOLE-GPM6
C942-4010-000-OPTIONAL-GUIDEPIN .dwr 1.0
1.3

SIZE B SCALE 1/1 SHEET 1 OF 2

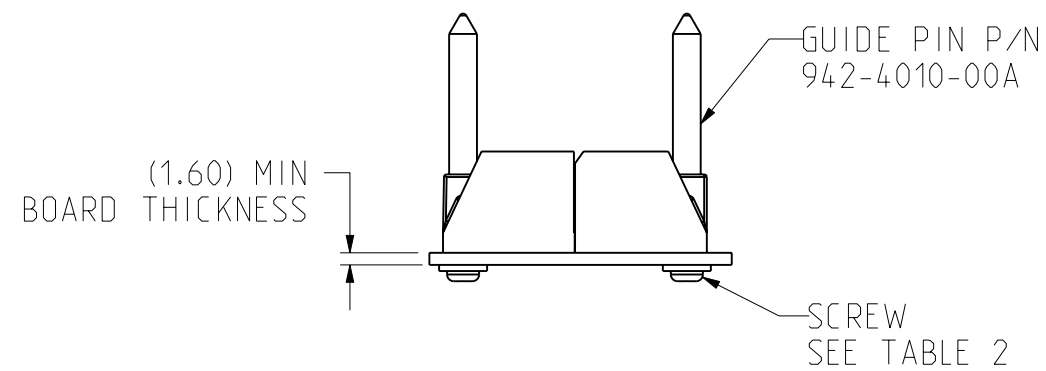
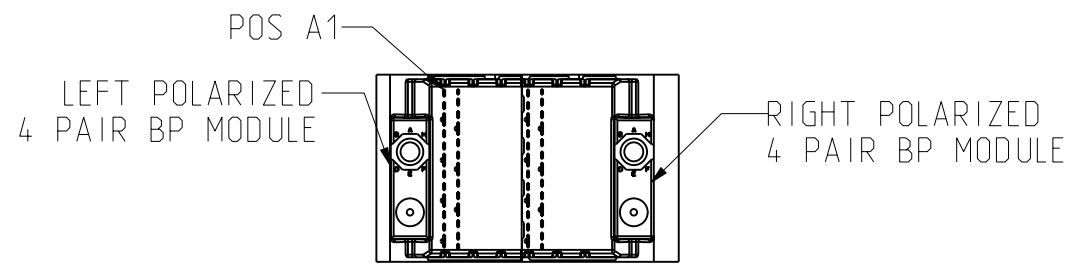
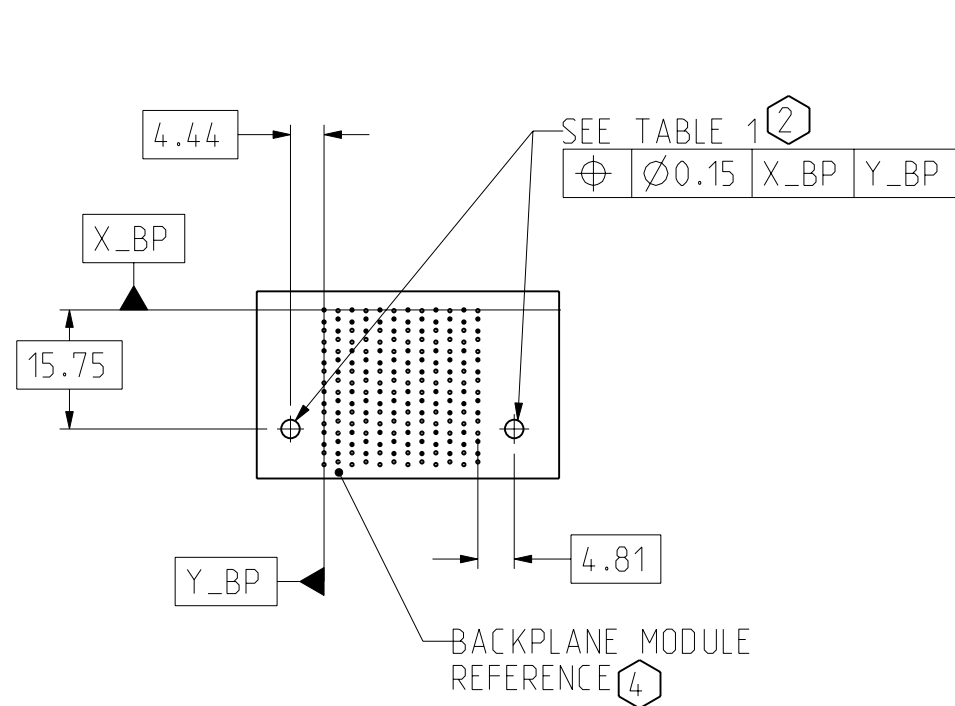
INTERPRET PER ASME Y14.5M
CODE IDENT 31413

**CUSTOMER USE
DRAWING**

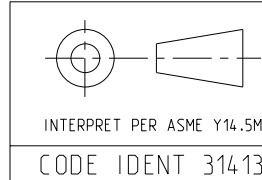
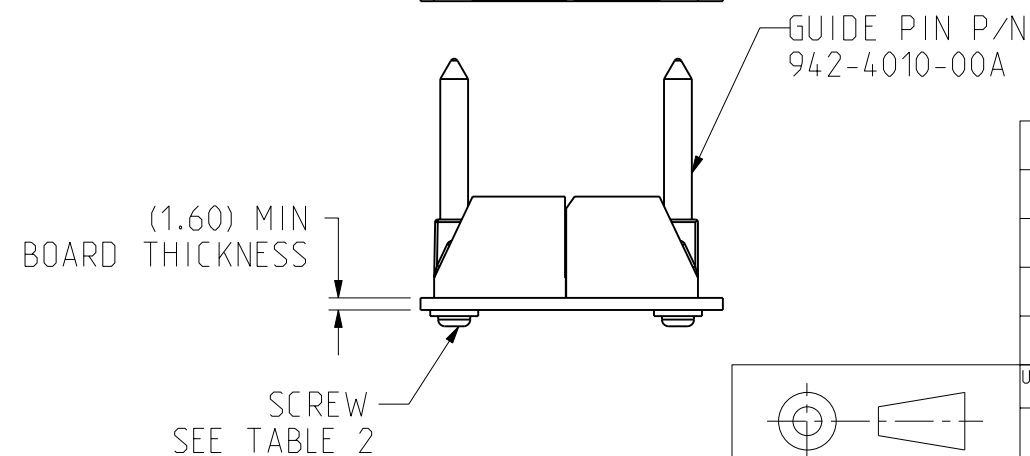
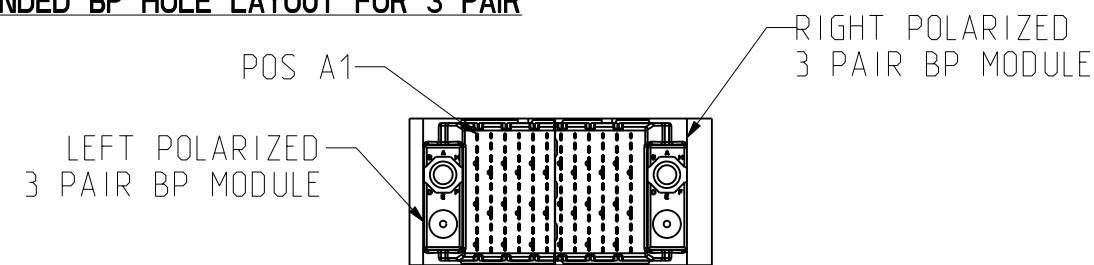
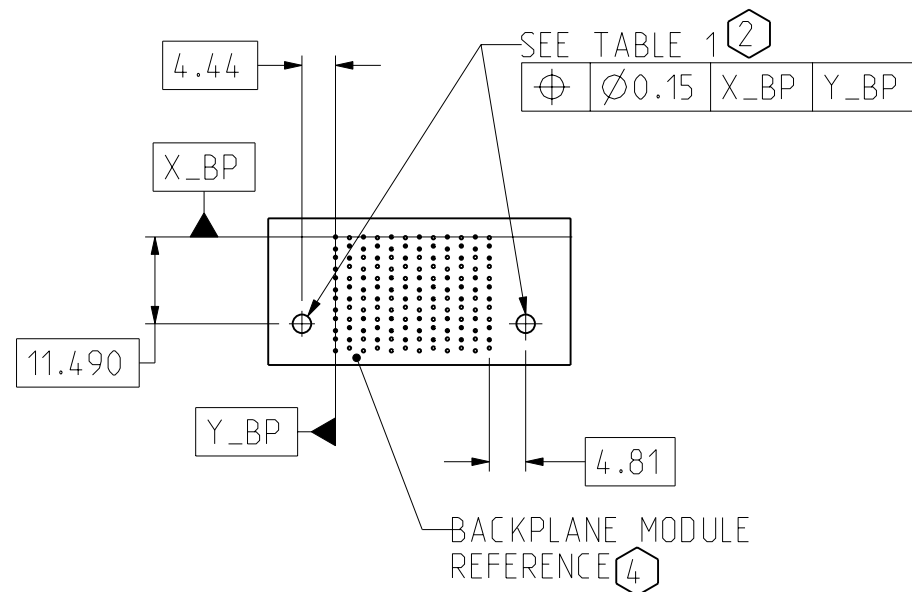
DRW NO. C942-4010-000 SH 1 REV A

ZONE	REV	SCR NUMBER	DESCRIPTION	BY	DATE	APPROVED
			SEE SHEET 1			

RECOMMENDED BP HOLE LAYOUT FOR 4 PAIR



RECOMMENDED BP HOLE LAYOUT FOR 3 PAIR



TOLERANCES		DESIGN
0.0	± 0.25	10/27/2008 A.ASTBURY
0.00	± 0.13	DRAWN 10/27/2008 HCL-GM
0.000	$\pm -$	CHK 10/27/2008 A.ASTBURY
ANGLES	$\pm 3^\circ$	APVD 10/27/2008 D.SMITH

UNLESS OTHERWISE SPECIFIED DIMENSIONS ARE IN MM.DECIMAL MAKER IS PERIOD

CUSTOMER USE DRAWING

Amphenol TCS A Division of Amphenol Corporation 200 Innovative Way, Nashua, NH 03062 603.879.3000		TITLE	OPTIONAL HOLE FOR BP MODULE MOUNTED GUIDE PIN, $\varnothing 3.68$ mm. XCede 3.4.5.6 PAIR
		PART NO.	942-4010-00A
DRAWING NO.	C942-4010-000	REV	A
ProeASSEM	Q1109-BP-OPTIONAL-HOLE-GPM6 C942-4010-000-OPTIONL-GUIDEPIN .drw	1.0	1.3
SIZE	B	SCALE	1/1
		SHEET 2 OF 2	

DRW NO. C942-4010-000

SH 2
REV A

4

3

4

3

2

1