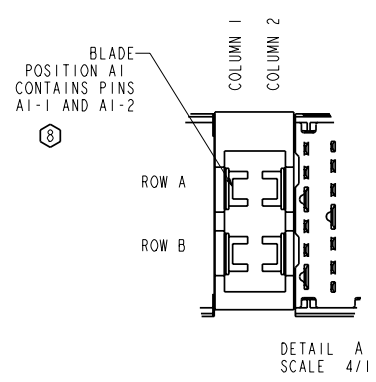
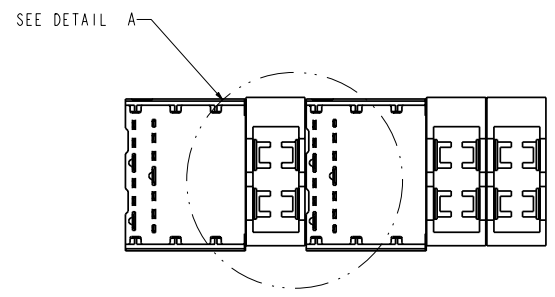
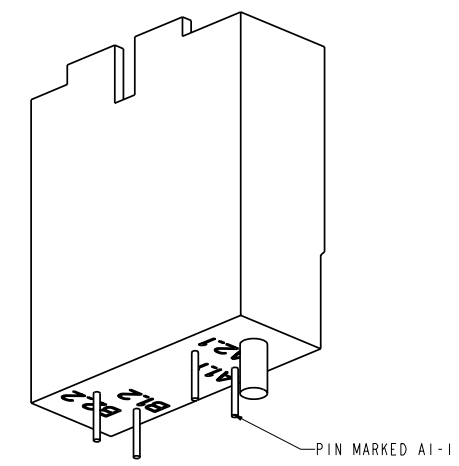
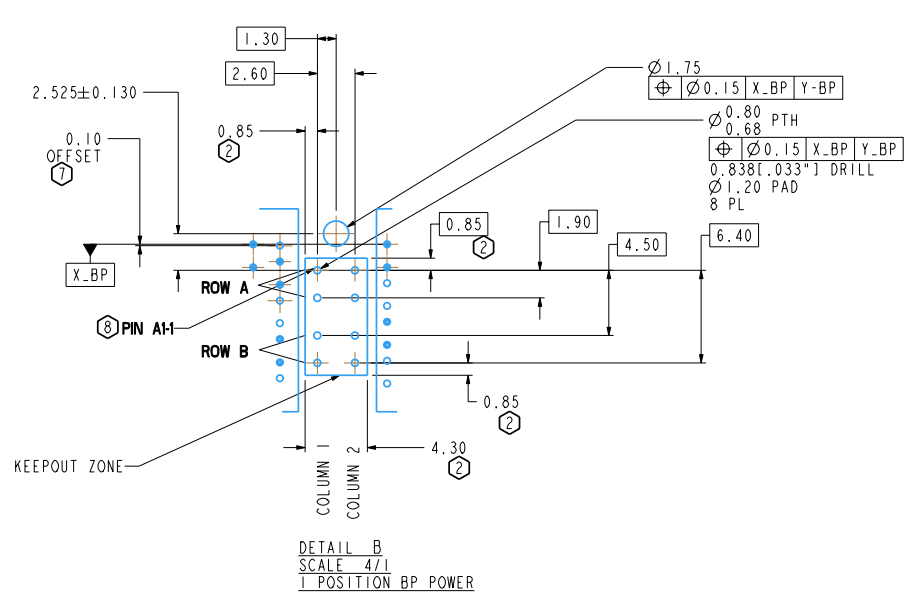
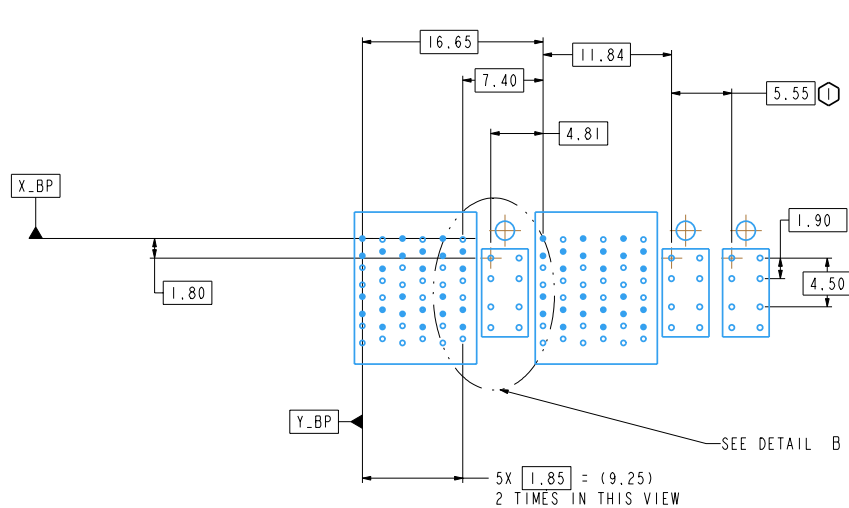


ZONE	REV	SCR NUMBER	DESCRIPTION	BY	DATE	APPROVED
ALL	01		INITIAL RELEASE	C. LEIGHTON	07/05/2007	A. PFAHNL
4D	02		REDIMENSION	C. LEIGHTON	11/28/2007	G. GRASSET



XCede BACKPLANE POWER CONNECTOR ASSEMBLY PART NUMBER ASSIGNMENT

XCede POWER MODULE LEAD OFF

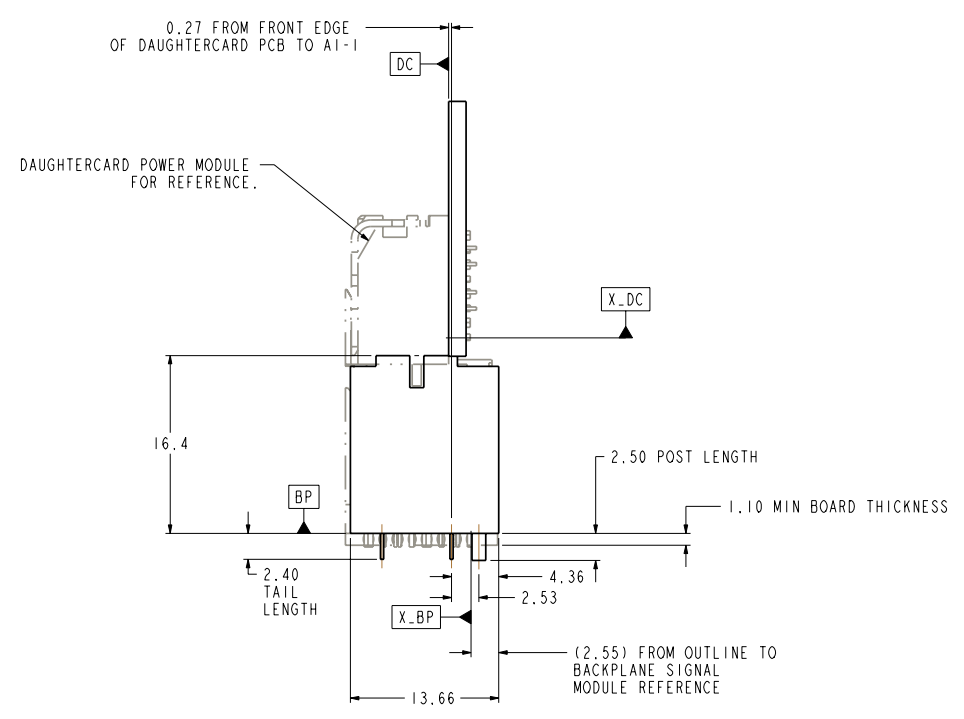
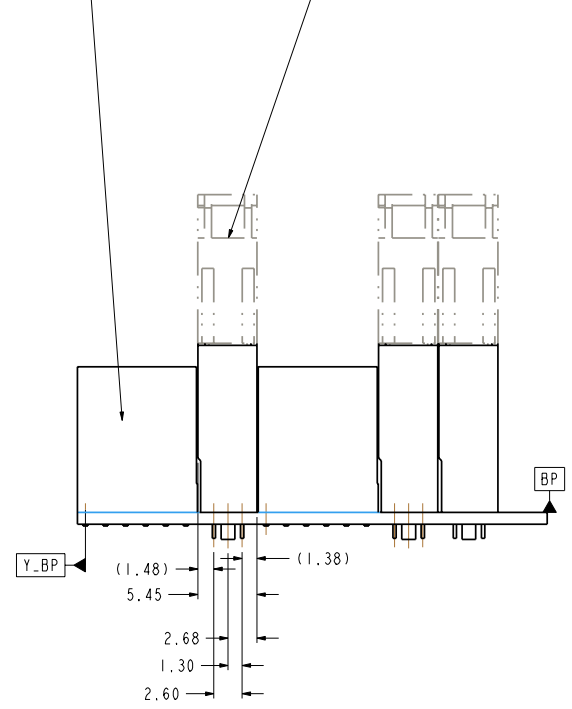
958 - 2 X 0 0 - A 1 X

PLATING
C = 50 MICROINCHES Au
E = 50 MICROINCHES Au, LEADFREE

1 = 4.5 mm ALL POSITIONS
2 = 6.0 mm ALL POSITIONS
3 = 7.5 mm ALL POSITIONS
7 = LEADFREE CUSTOM LOADED
8 = CUSTOM LOADED

SIGNAL BACKPLANE MODULE SEE DRAWING C951-200C-500

DAUGHTERCARD POWER MODULE FOR REFERENCE. SEE DRAWING C956-2000-500 6 TIMES IN THIS VIEW



- 10 IF THE 5TH DIGIT OF THE PART NUMBER IS 7 OR 8, INDICATING A CUSTOM PART NUMBER, DIGITS 6 THROUGH 10 ARE NOT SIGNIFICANT, AND DO NOT FOLLOW THE PARADIGM IN THIS TABLE.
 - 9 NOTE REMOVED
 - 8 BLADE POSITION A# CONTAINS PINS A#_1 AND A#_2.
 - 7 REFER TO BP CUSTOMER USE DRAWINGS FOR ROW AND COLUMN ASSIGNMENTS.
 - 6 NOTE REMOVED
 - 5. REFER TO TB-2150 FOR XCede PRODUCT SPECIFICATIONS AND TB-???? FOR POWER APPLICATION GUIDE.
 - 4 STATED PAD SIZE MAY REQUIRE FILLETING. SEE TB-2090 FOR ROUTING GUIDELINES.
 - 3. REMOVED.
 - 2 NO SURFACE TRACES IN KEEP OUT ZONE.
 - 1 FOR EACH ADDITIONAL POWER MODULE, ADD 5.55mm FOR 1 POSITION MODULES,
- NOTES

INTERPRET PER ASME Y14.5M
CODE IDENT 31413

TOLERANCES	DESIGN 09/01/2006 C. LEIGHTON	Amphenol TCS A Division of Amphenol Corporation 44 Simon Street, Nashua, NH, 03060 603.879.3000
0.0 ±0.25	DRAWN 07/05/2007 C. LEIGHTON	TITLE BACKPLANE POWER ASSEMBLY XCede 2 PAIR
0.00 ±0.13	CHK 07/05/2007 LEIGHTON	PART NO. SEE PART NUMBER TREE
0.000 ± -	APVD 07/05/2007 A. PFAHNL	DRAWING NO. C958-2900-500
UNLESS OTHERWISE SPECIFIED DIMENSIONS ARE IN MM, DECIMAL MAKER IS PERIOD.		REV 02
CUSTOMER USE DRAWING		PROE ASSEM 01/09-CONNECTOR2-POWERED C958-2900-500--BP2-POWER .drw
SIZE D	SCALE 3/1	SHEET 1 OF 1

DRW NO. C958-2900-500 SH 1 REV 02