

ZONE	REV	SCR NUMBER	DESCRIPTION	BY	DATE	APPROVED
ALL	1.0		NEW RELEASE	M.RECEPUTO	04/29/2009	B.RICHARD

TABLE 1
XCede BACKPLANE POWER CONNECTOR
REVISION OF ALL PART NUMBERS IS #, EXCEPT CUSTOM PART NUMBERS (4TH DIGIT = 7)

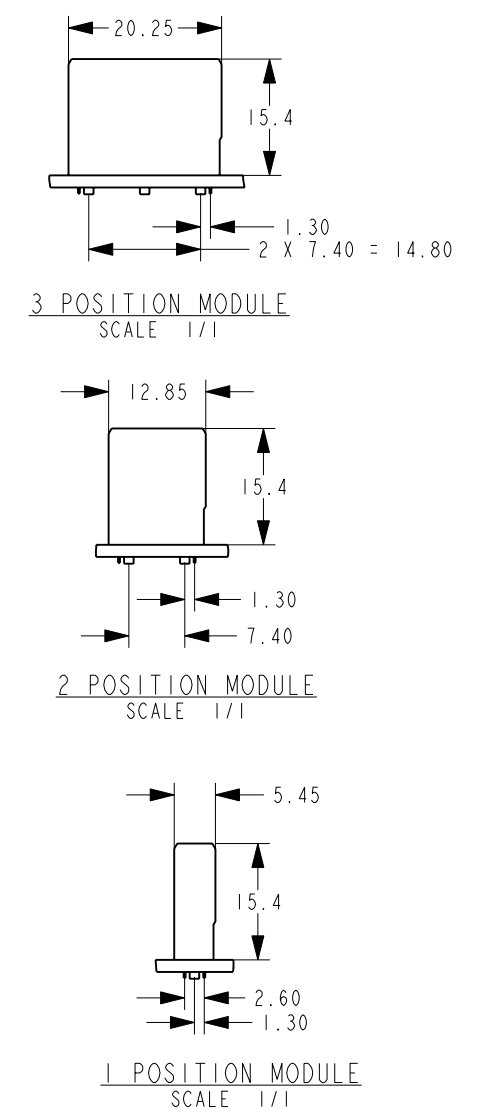
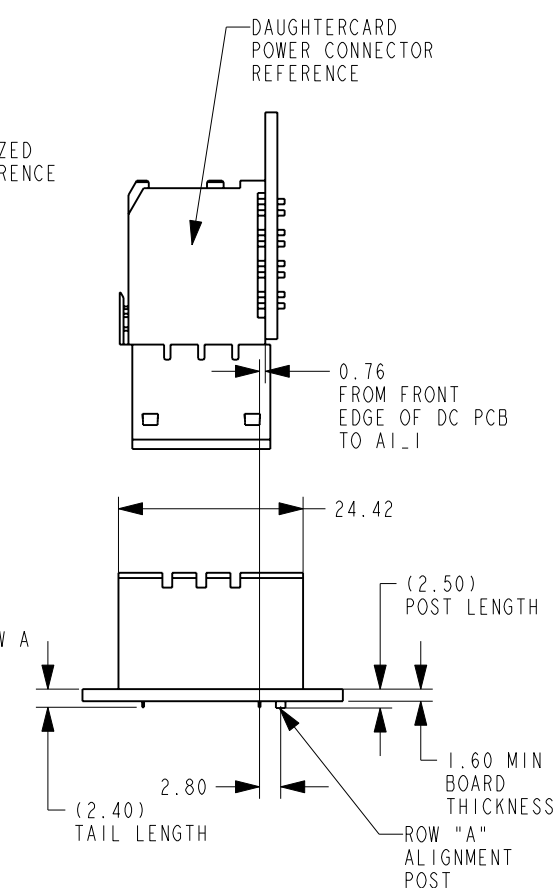
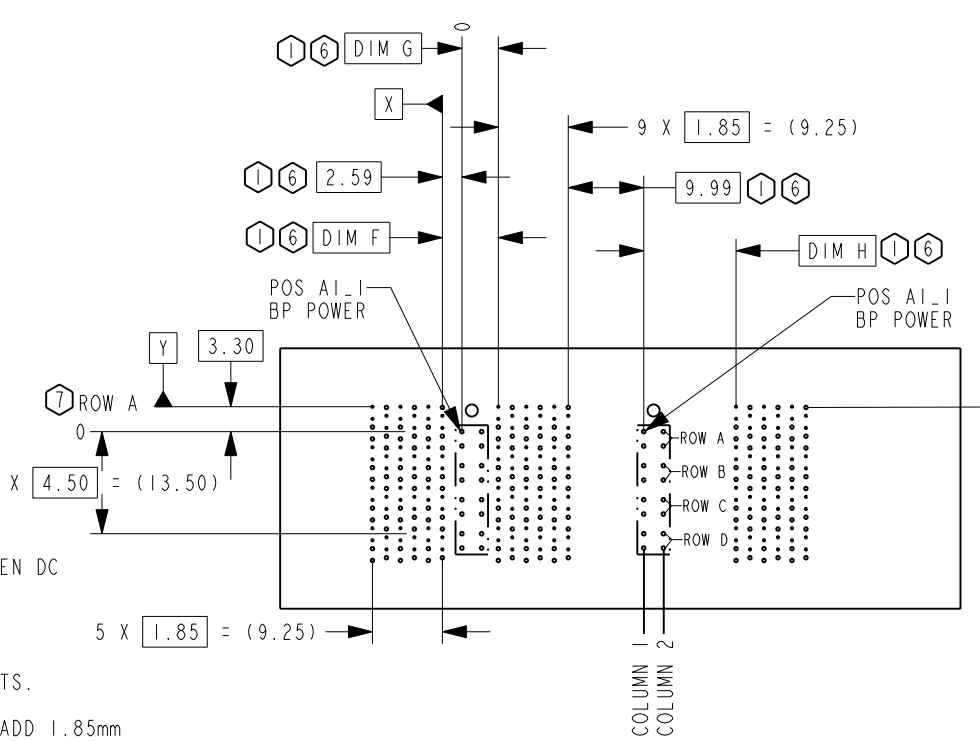
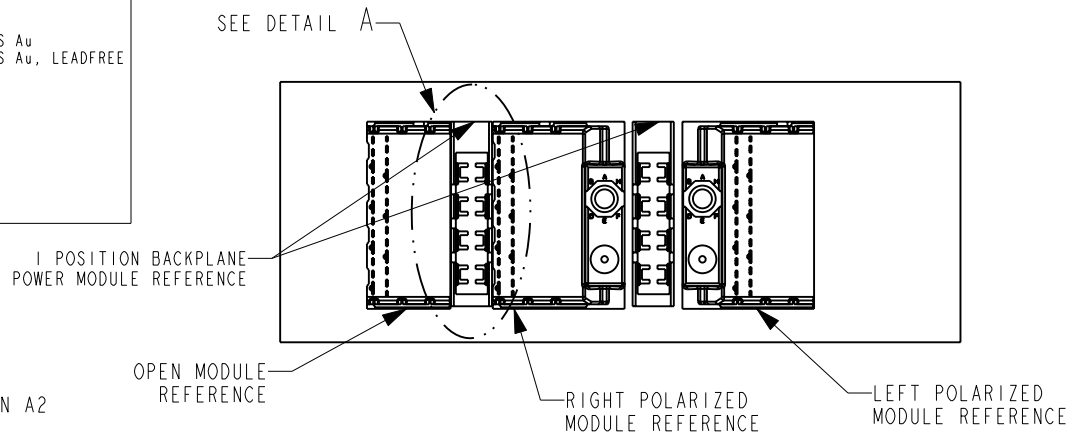
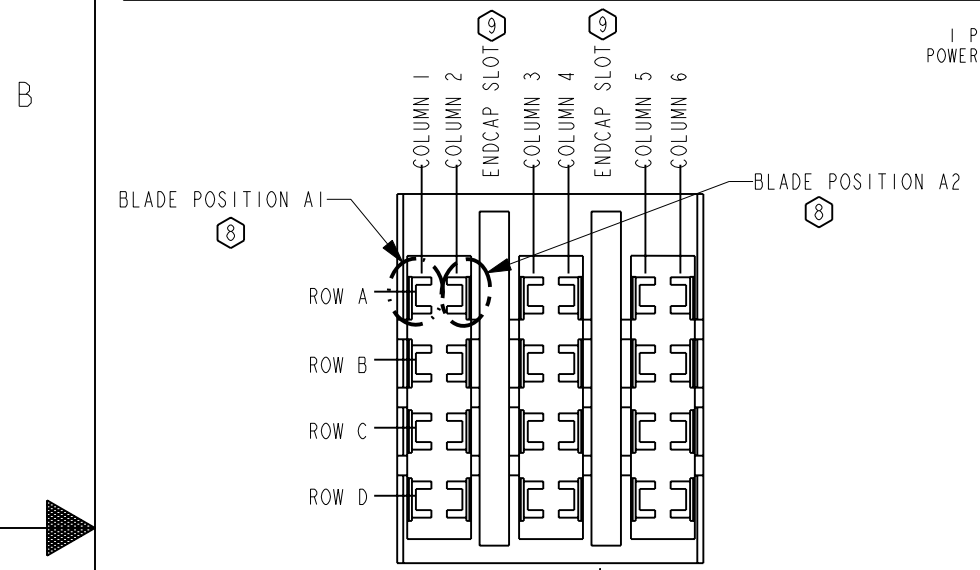
958 - 4 X X 1 - A 1 X

XCede POWER MODULE LEAD OFF
4 = 4 PAIR

PLATING
C = 50 MICROINCHES Au
E = 50 MICROINCHES Au, LEADFREE

OF COLUMNS
0 = 1.85MM 1 POSITION
1 = 1.85MM 2 POSITION
2 = 1.85MM 3 POSITION

1 = 4.5 mm ALL POSITIONS
2 = 6.0 mm ALL POSITIONS
3 = 7.5 mm ALL POSITIONS
7 = LEADFREE CUSTOM LOADED
8 = CUSTOM LOADED

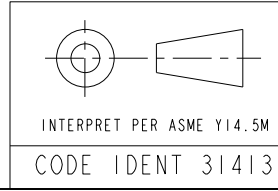


- (10) IF THE 4TH DIGIT OF THE PART NUMBER IS 7, INDICATING A CUSTOM PART NUMBER, DIGITS 5 THROUGH 10 ARE NOT SIGNIFICANT, AND DO NOT FOLLOW THE PARADIGM IN THIS TABLE.
- (9) 2 POSITION AND 3 POSITION MODULES WILL ACCEPT DC ENDCAPS BETWEEN DC POWER MODULES WITH NO ADDITIONAL SPACING REQUIRED.
- (8) BLADE POSITION A1 CONTAINS PINS A1_1 AND A1_2.
- (7) REFER TO BP CUSTOMER USE DRAWINGS FOR ROW AND COLUMN ASSIGNMENTS.
- (6) WHEN USING ENDCAPS BETWEEN SIGNAL WAFERS AND DC POWER MODULES ADD 1.85mm FOR EACH ENDCAP. VIEW SHOWN WITHOUT ENDCAPS. FOR ENDCAPS THAT ARE USED BETWEEN DC POWER MODULES AND DO NOT PLUG INTO A MULTI-UP BP POWER MODULE, ADD 1.85mm FOR EACH ENDCAP.
- 5. REFER TO TB-2150 FOR XCede PRODUCT SPECIFICATIONS.
- (4) STATED PAD SIZE MAY REQUIRE FILLETING. SEE TB-2149 FOR ROUTING GUIDELINES.
- 3. REMOVED.
- (2) NO SURFACE TRACES IN KEEP OUT ZONE.
- (1) FOR EACH ADDITIONAL POWER MODULE, ADD 5.55mm FOR 1 POSITION MODULES, 12.95mm FOR 2 POSITION MODULES, OR 20.35mm FOR 3 POSITION MODULES.

TYPICAL DIMENSIONS FOR BP POWER PLACEMENT RELATIVE TO BP SIGNAL SHROUDS

TABLE 2

	DIM F	DIM G	DIM H
1 POSITION MODULE	7.40	4.81	12.21
2 POSITION MODULE	14.80	12.21	19.61
3 POSITION MODULE	22.20	19.61	27.01



TOLERANCES

0.0	±0.25
0.00	±0.13
0.000	± -
ANGLES	± -

DESIGN 04/29/2009 M.RECEPUTO

DRAWN 04/29/2009 M.RECEPUTO

CHK 04/29/2009 B.RICHARD

APVD 04/29/2009 B.RICHARD

CUSTOMER USE DRAWING

Amphenol TCS
A Division of Amphenol Corporation
200 Innovative Way, Nashua, NH 03062 603.879.3000

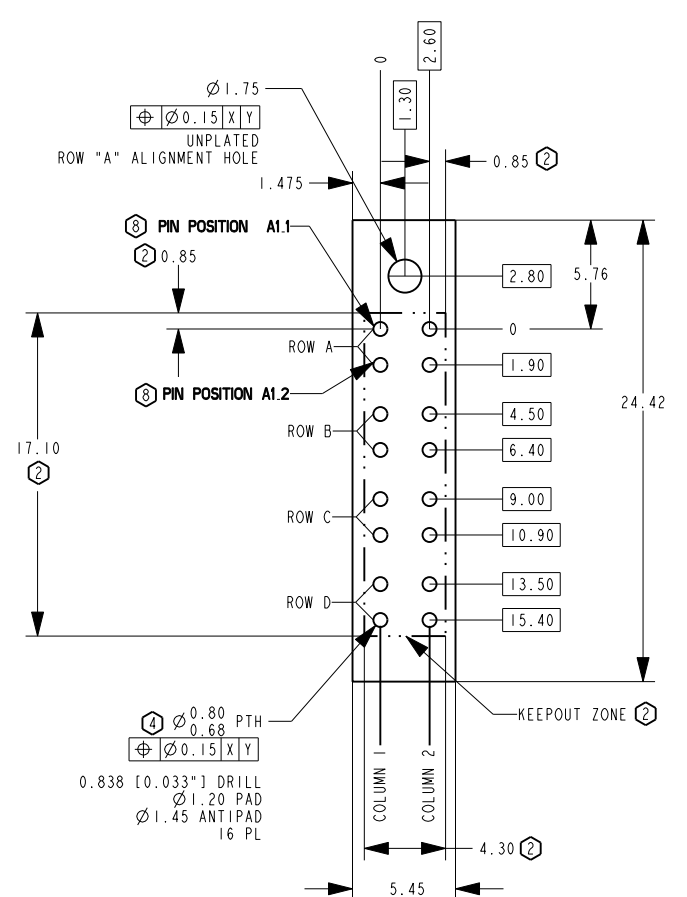
TITLE
BACK PLANE POWER ASSEMBLY
XCede 4 PAIR

PART NO. SEE TABLE 1

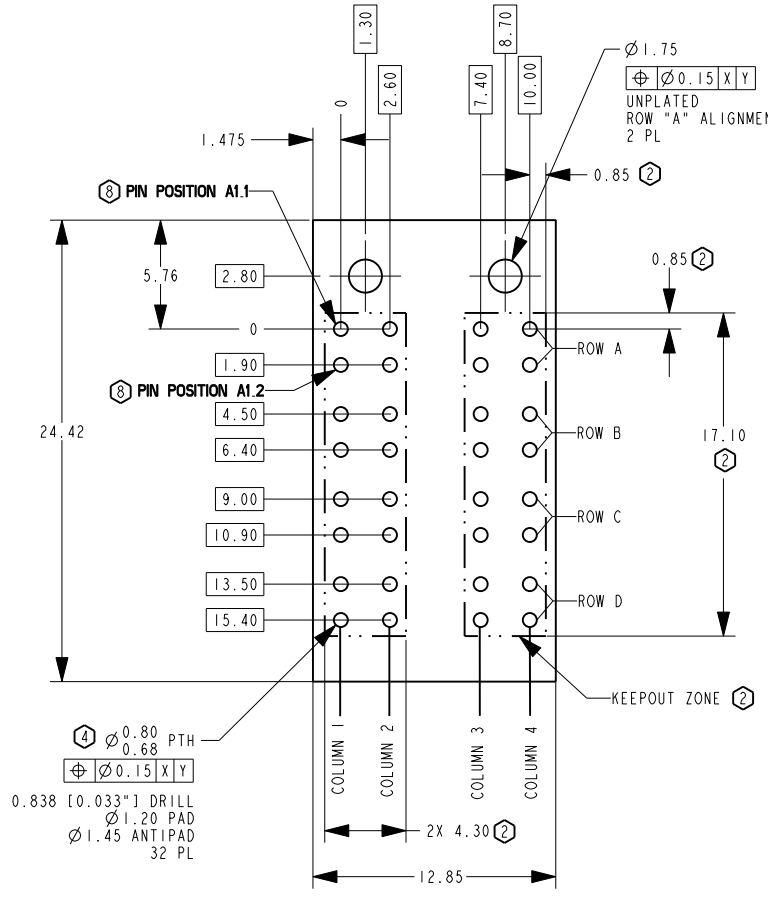
DRAWING NO. C-958-4201-500

ProeASSEM P1149-BP-CU-PWR-MODIFIED
P1149-BP-CU-PWR-MODIFIED.dwg

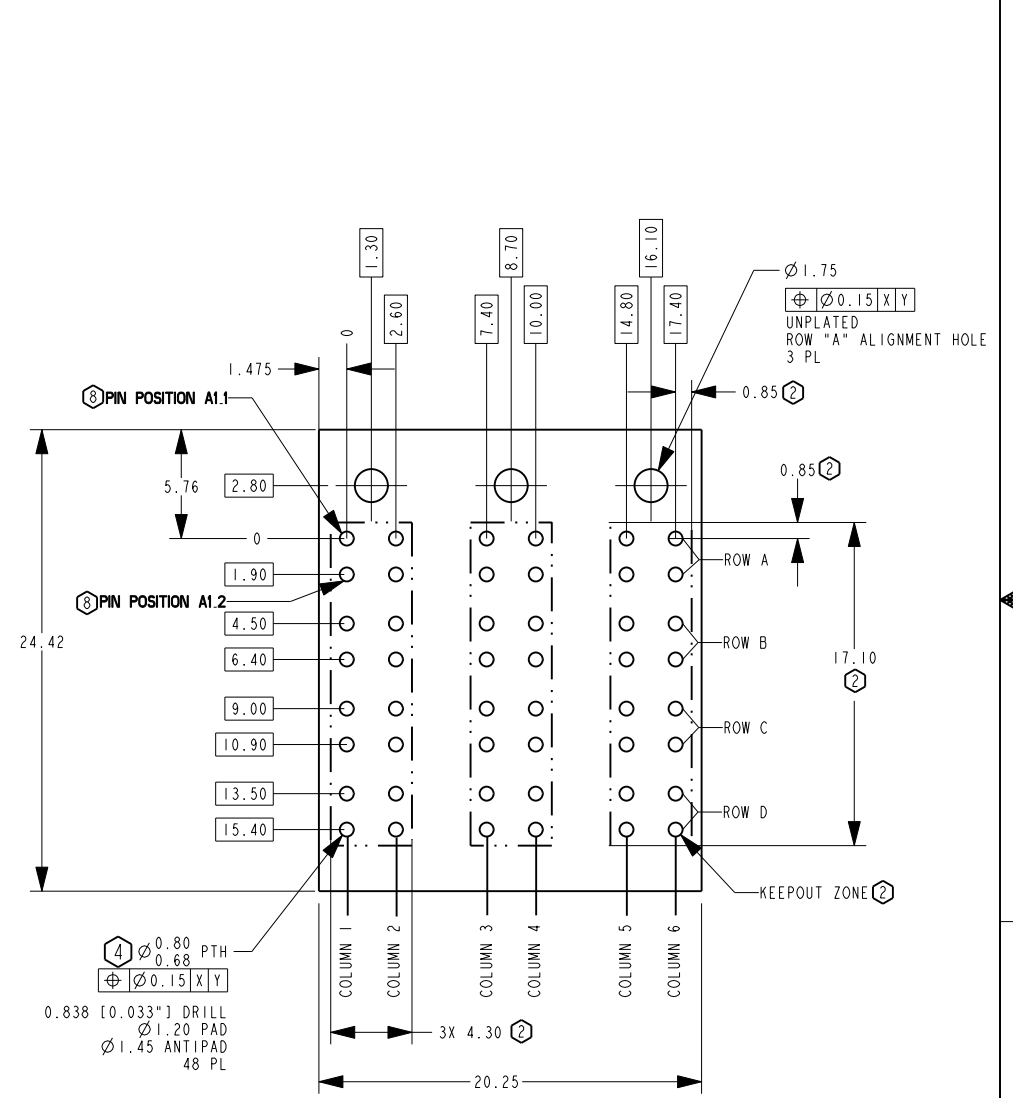
SIZE B SCALE 1/1 SHEET 1 OF 2



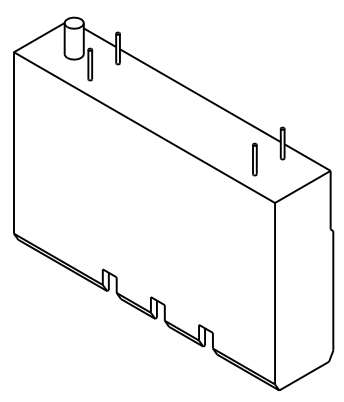
1 POSITION BP POWER
Xcede HOLE PATTERN
SCALE 5/2



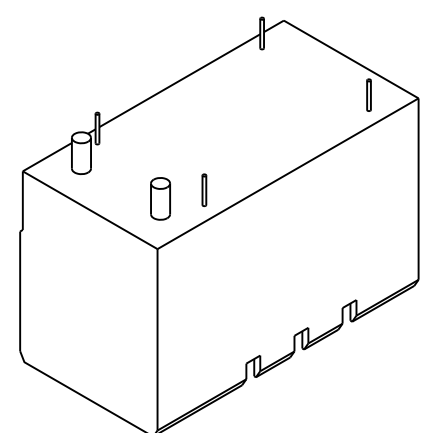
2 POSITION BP POWER
Xcede HOLE PATTERN
SCALE 5/2



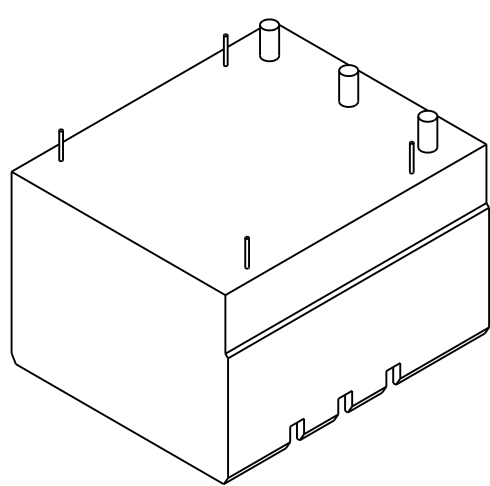
3 POSITION BP POWER
Xcede HOLE PATTERN
SCALE 5/2



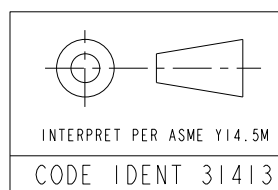
1 POSITION MODULE
SCALE 2/1



2 POSITION MODULE
SCALE 2/1



3 POSITION MODULE
SCALE 2/1



TOLERANCES	DESIGN 04/29/2009 M.RECEPTO
0.0 ±0.25	DRAWN 04/29/2009 M.RECEPTO
0.00 ±0.13	CHK 04/29/2009 B.RICHARD
0.000 ± -	APVD 04/29/2009 B.RICHARD
ANGLES ± -	

CUSTOMER USE
DRAWING

Amphenol TCS A Division of Amphenol Corporation 200 Innovative Way, Nashua, NH 03062 603.879.3000		TITLE	BACK PLANE POWER ASSEMBLY Xcede 4 PAIR
		PART NO.	SEE TABLE I
DRAWING NO.	C-958-4201-500	REV	1.0
ProcASSEM	P1149-BP-CU-PWR-MODIFIED	REV	1.1
	P1149-BP-CU-PWR-MODIFIED.dwg	REV	1.4
SIZE B	SCALE 1/1	SHEET 2 OF 2	

DRW NO.
C-958-4201-500
SH
2
REV
1.0