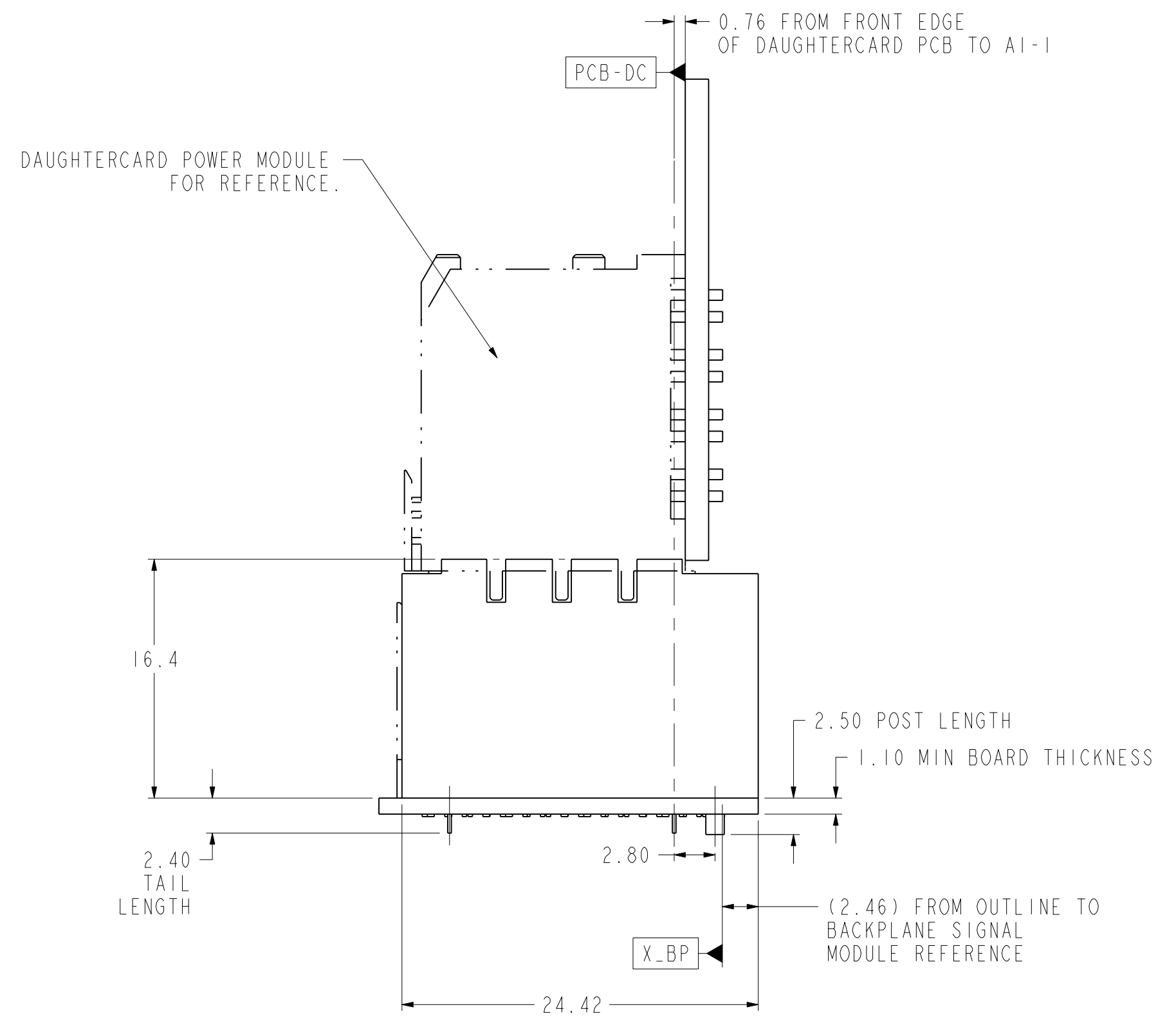
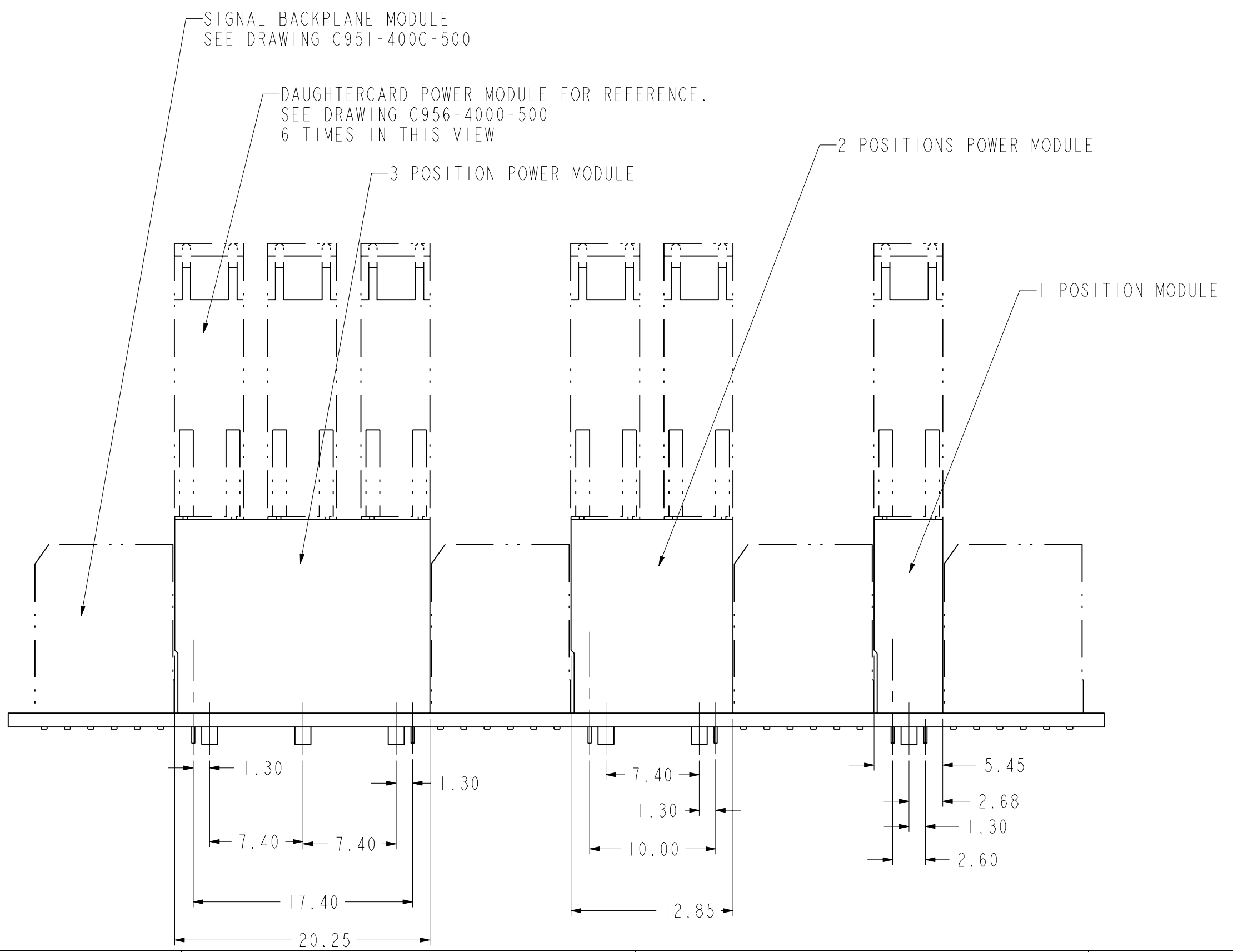
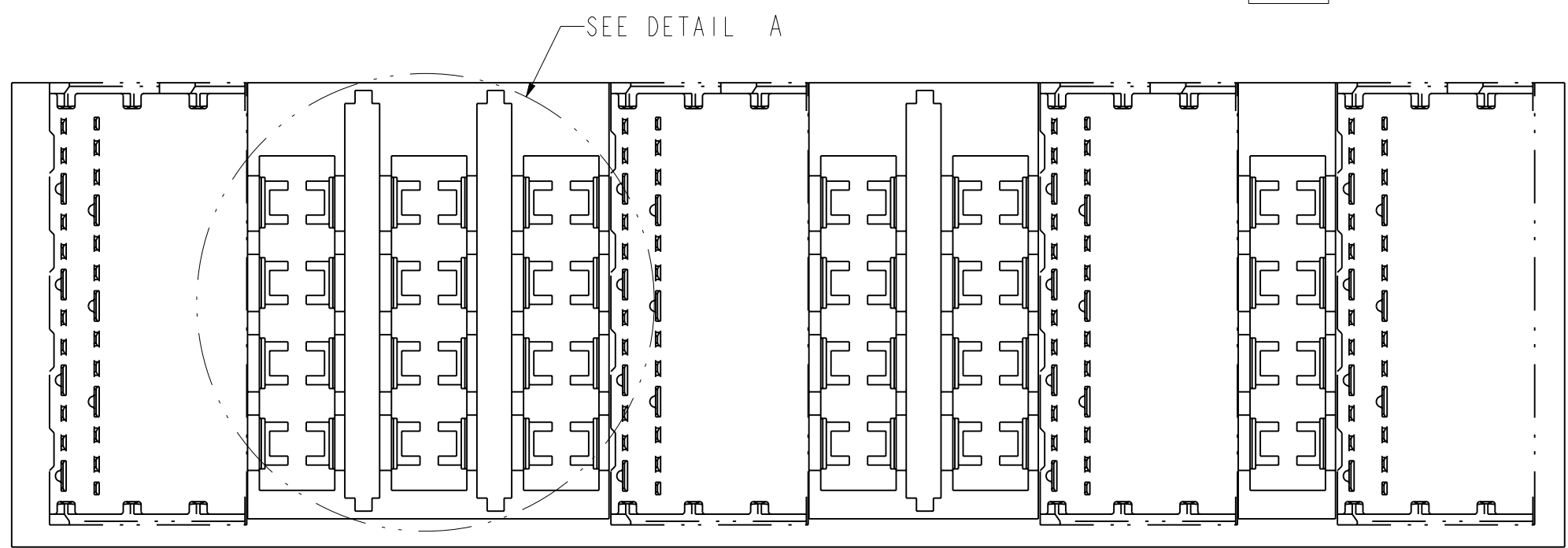
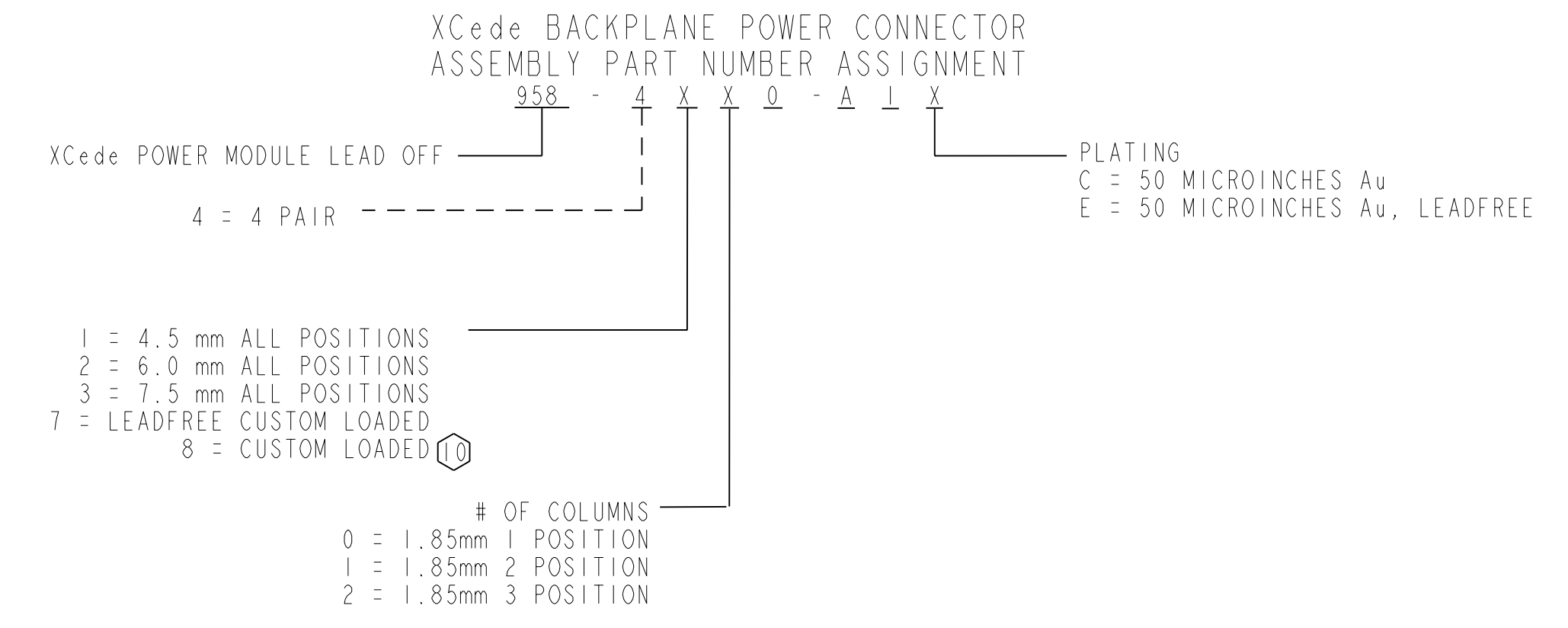
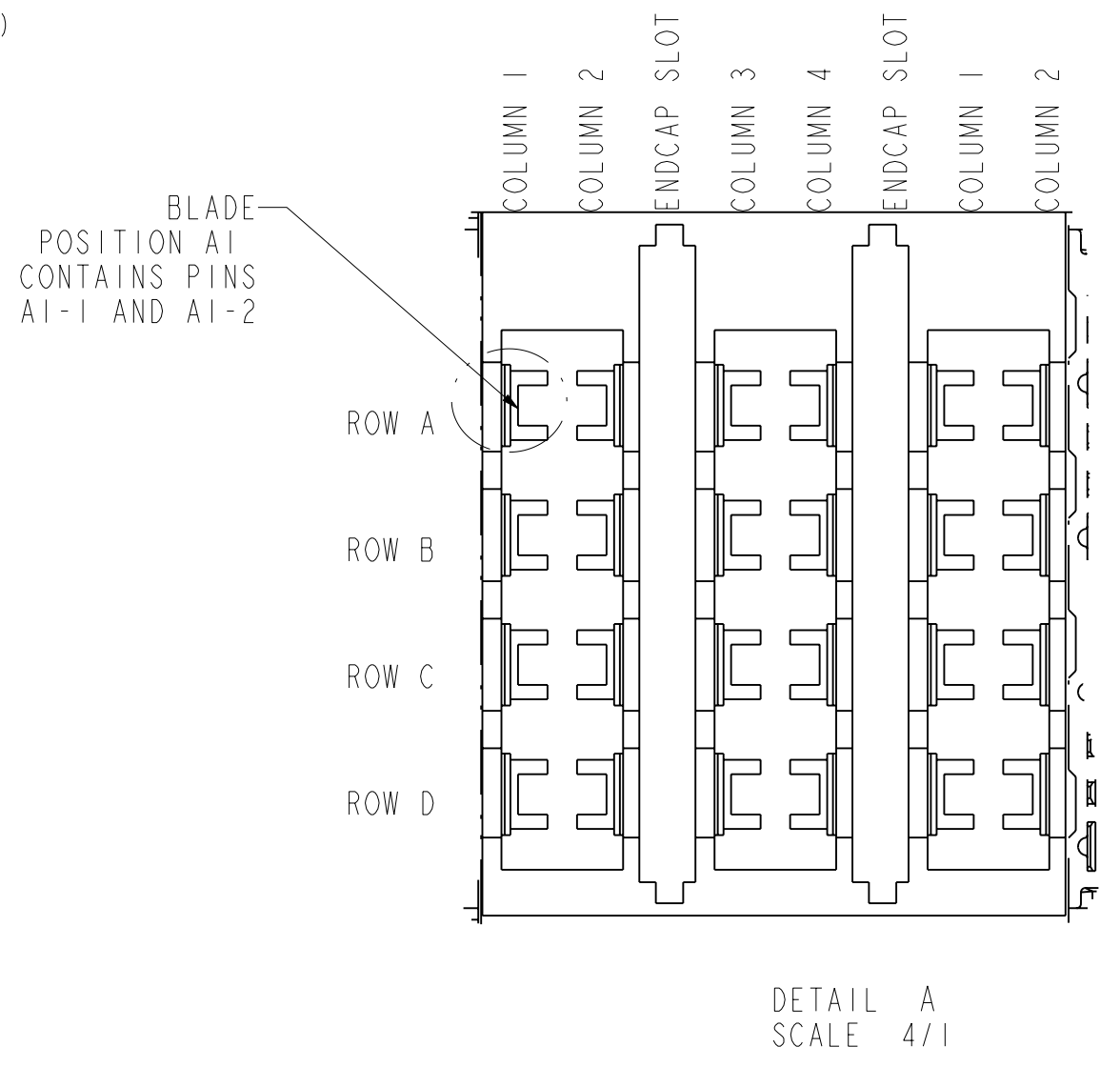
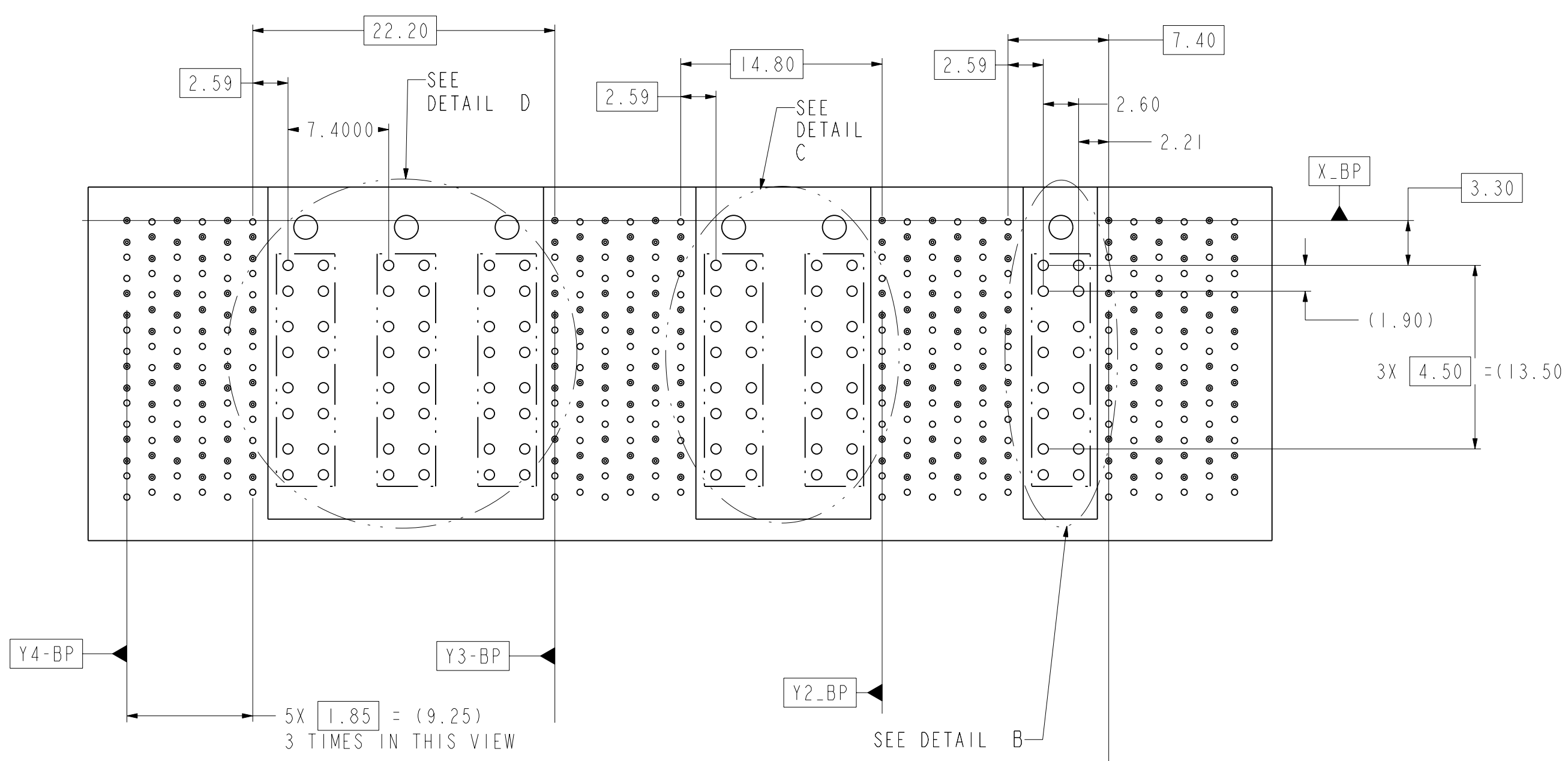


ZONE	REV	SCR NUMBER	DESCRIPTION	BY	DATE	APPROVED
ALL	01		INITIAL RELEASE	C.LEIGHTON	09/08/2006	ANDY PFAHNL
	02		ADD PART NUMBER TREE	D.MANTER	9/22/2006	A.PFAHNL
	03		REMOVED PREL.NOTE	C.LEIGHTON	12/06/2006	D.MANTER
	04		NOTE 10 CHANGED	C.LEIGHTON	01/04/2006	A.PFAHNL
D1 SHI	05		ONLY 50 MICROINCHES	C.LEIGHTON	01/25/2007	A.PFAHNL
SHT2	06		CORRECTED OUTLINE 1.475	C.LEIGHTON	10/30/2007	A.PFAHNL
	07		CORRECTED PTH CALLOUT	HCL	03/18/2008	A.PFAHNL



- 10 IF THE 5TH DIGIT OF THE PART NUMBER IS 7 OR 8, INDICATING A CUSTOM PART NUMBER, DIGITS 6 THROUGH 10 ARE NOT SIGNIFICANT, AND DO NOT FOLLOW THE PARADIGM IN THIS TABLE.
 - 9 2 POSITION AND 3 POSITION MODULES WILL ACCEPT DC ENDCAPS BETWEEN DC POWER MODULES WITH NO ADDITIONAL SPACING REQUIRED.
 - 8 BLADE POSITION A# CONTAINS PINS A#-1 AND A#-2.
 - 7 REFER TO BP CUSTOMER USE DRAWINGS FOR ROW AND COLUMN ASSIGNMENTS.
 - 6 WHEN USING ENDCAPS BETWEEN SIGNAL WAFERS AND DC POWER MODULES ADD 1.85mm FOR EACH ENDCAP. VIEW SHOWN WITHOUT ENDCAPS. FOR ENDCAPS THAT ARE USED BETWEEN DC POWER MODULES AND DO NOT PLUG INTO A MULTI-UP BP POWER MODULE, ADD 1.85mm FOR EACH ENDCAP.
 - 5. REFER TO TB-2150 FOR XCEDE PRODUCT SPECIFICATIONS AND TB-???? FOR POWER APPLICATION GUIDE.
 - 4 STATED PAD SIZE MAY REQUIRE FILLETING. SEE TB-2090 FOR ROUTING GUIDELINES.
 - 3. REMOVED.
 - 2 NO SURFACE TRACES IN KEEP OUT ZONE.
 - 1 FOR EACH ADDITIONAL POWER MODULE, ADD 5.55mm FOR 1 POSITION MODULES, 12.95mm FOR 2 POSITION MODULES, OR 20.35mm FOR 3 POSITION MODULES.
- NOTES

TOLERANCES	DESIGN	09/07/2006	LEIGHTON
0.0	±0.25	DRAWN	09/08/2006
0.00	±0.13	CHK	09/09/2006
0.000	±	APVD	09/10/2006
ANGLES	±		

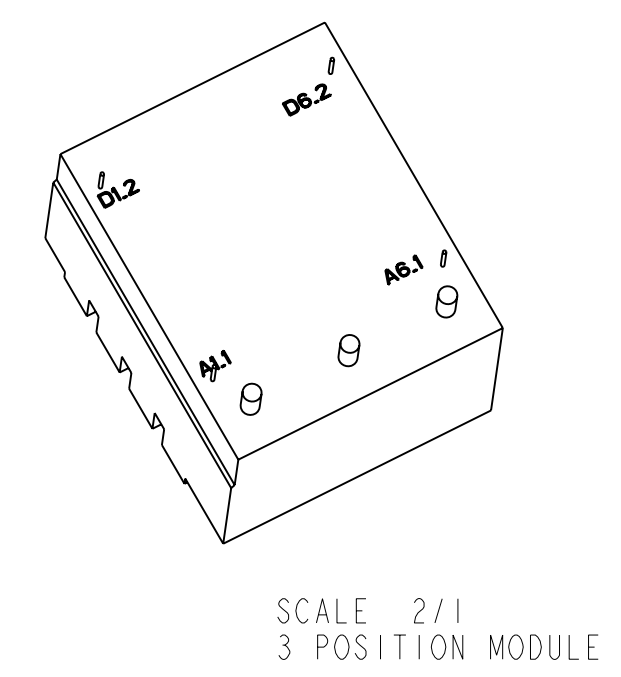
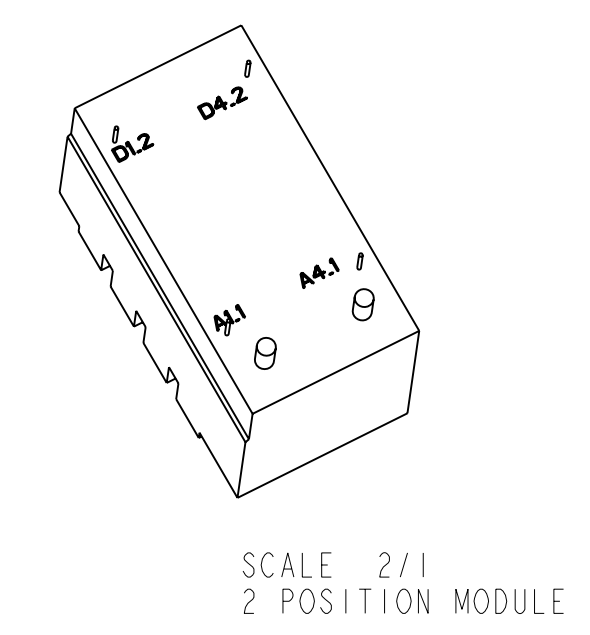
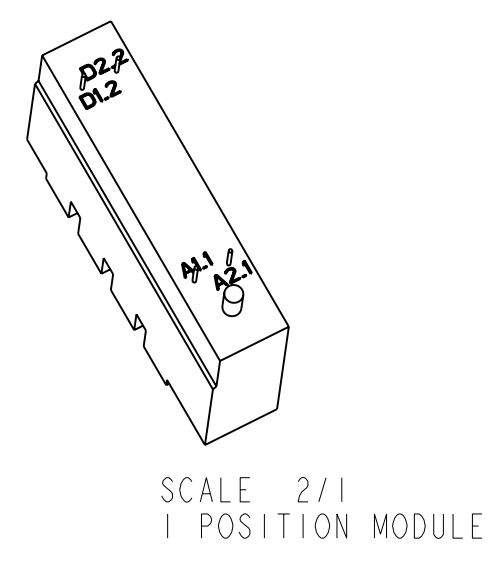
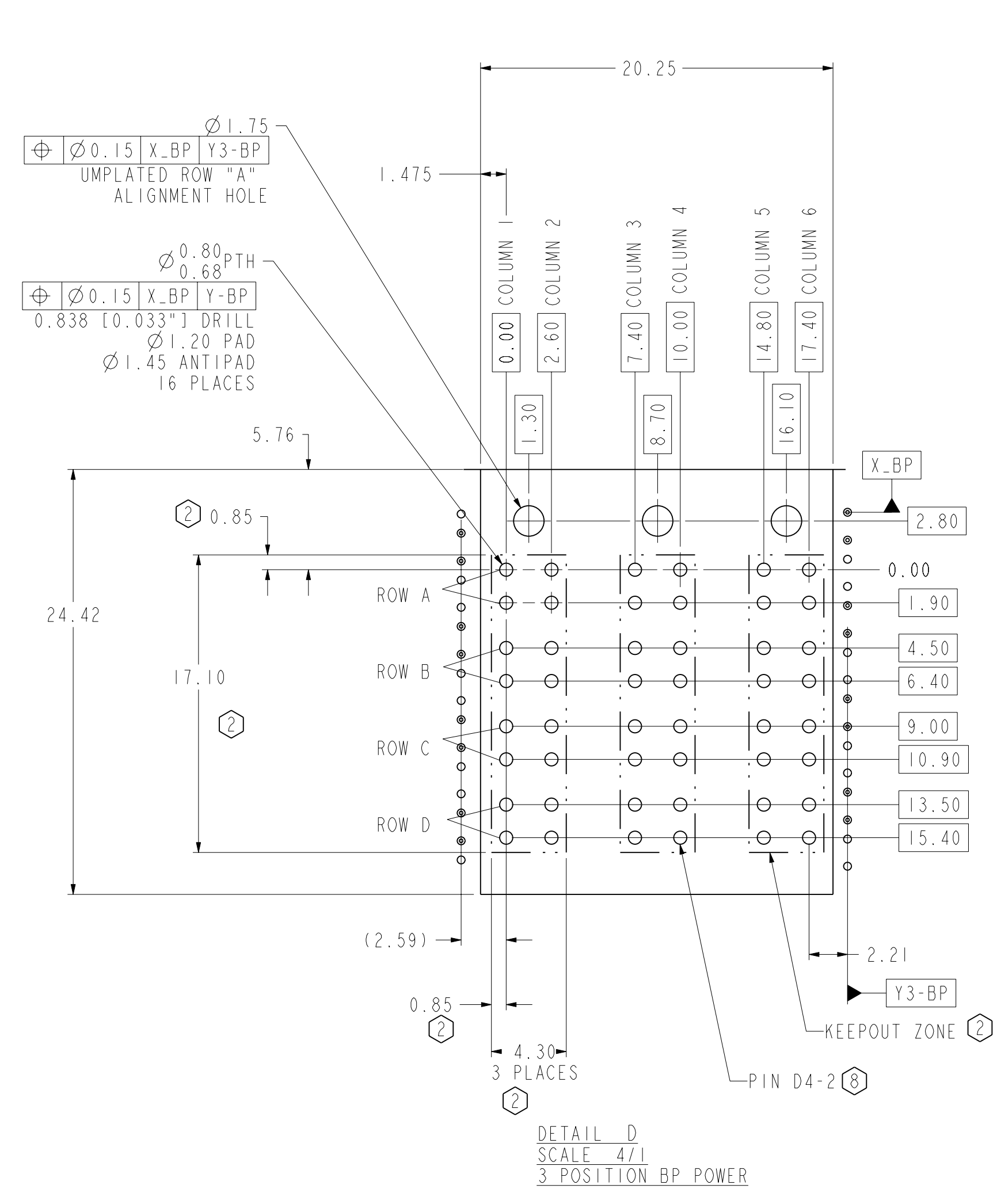
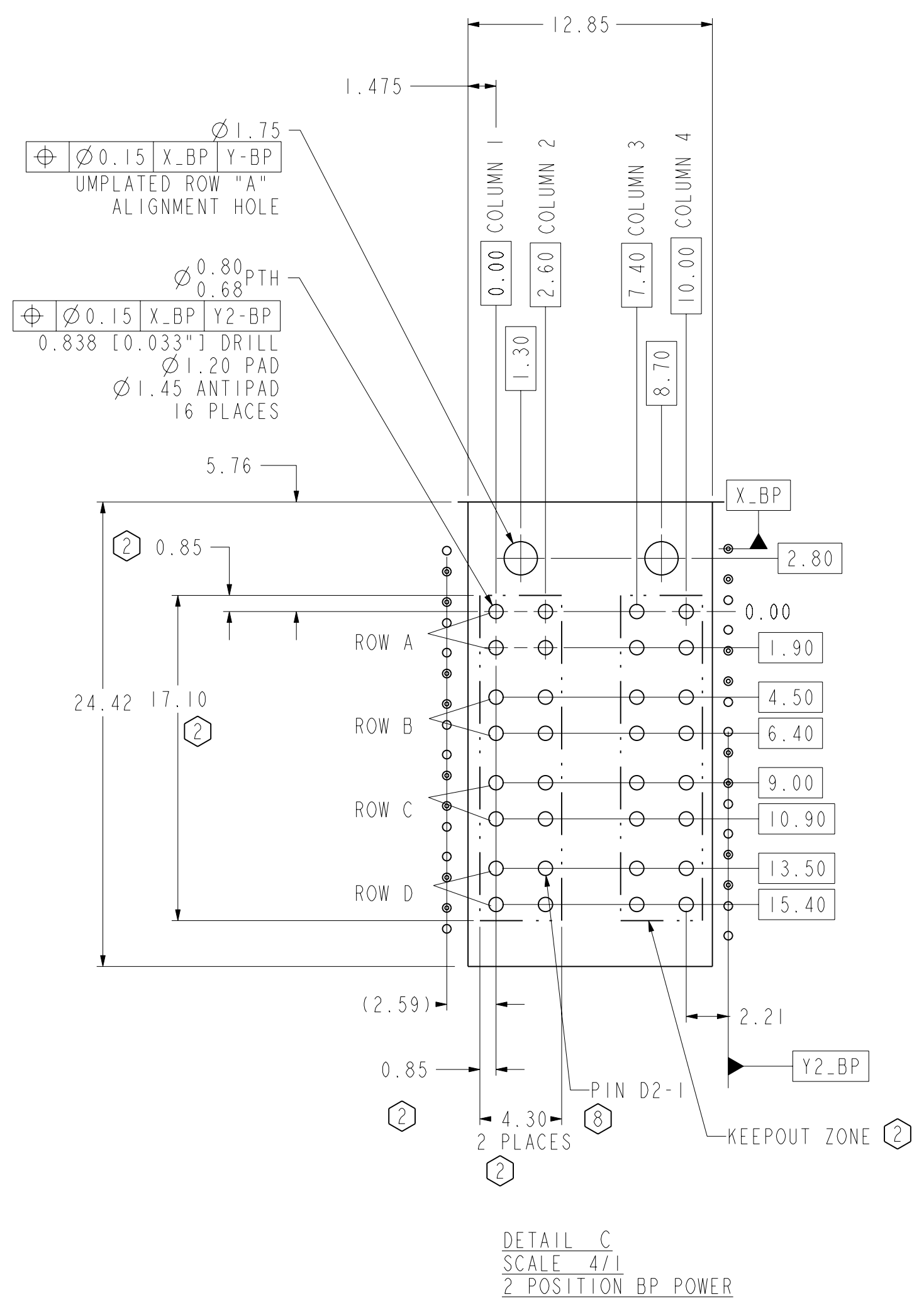
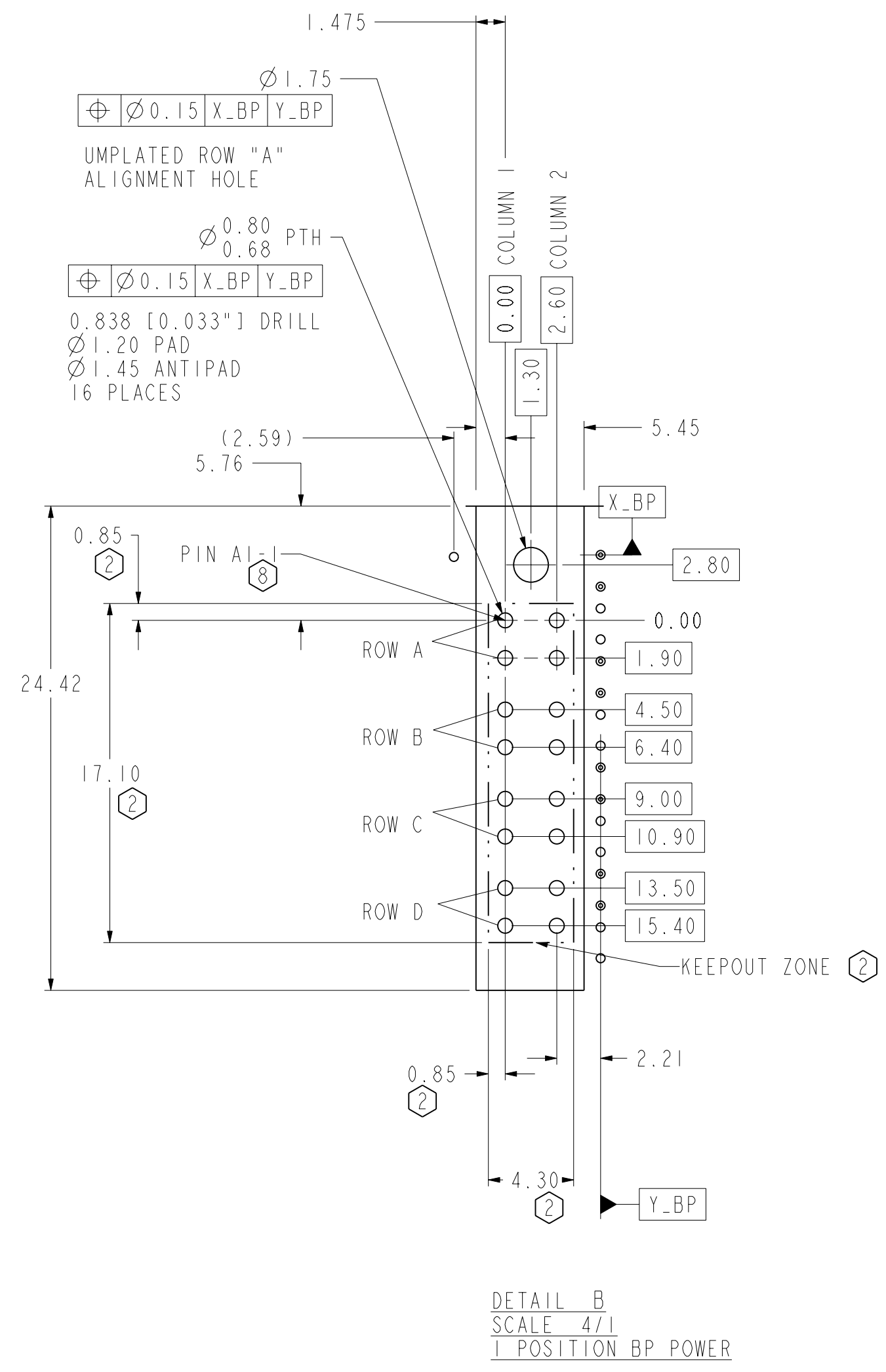
Amphenol TCS A Division of Amphenol Corporation 44 Simon Street, Nashua, NH, 03060 603.879.3000	
TITLE	BACKPLANE POWER ASSEMBLY XCede 4 PAIR
PART NO.	SEE PART NUMBER TREE
DRAWING NO.	C958-4900-500
ProE ASSEM	01109-CONNECTOR4-POWERED
C958-4900-500-BP4-POWER	.dwt
SIZE	D SCALE 3/1
SHEET	1 OF 2

INTERPRET PER ASME Y14.5M
CODE IDENT 31413

CUSTOMER USE
DRAWING

DRW NO. C958-4900-500 SH 1 REV 07

ZONE	REV	SCR NUMBER	DESCRIPTION	BY	DATE	APPROVED
ALL			SEE SHEET 1			



TOLERANCES	DESIGN	09/07/2006	LEIGHTON	Amphenol TCS A Division of Amphenol Corporation 44 Simon Street, Nashua, NH, 03060 603.879.3000	TITLE	BACKPLANE POWER ASSEMBLY XCEDE 4 PAIR	PART NO.	SEE PART NUMBER TREE	REV	
0.0	±0.25	DRAWN	09/08/2006		C.LEIGHTON	DRAWING NO.	C958-4900-500	REV	07	
0.0	±0.13	CHK	09/09/2006		LEIGHTON	ProE ASSEM_01109-CONNECTOR4-POWERED	5.1			
0.000	± -	APVD	09/10/2006		ANDY PFANHL	C958-4900-500-BP4-POWER.dwg	5.4			
ANGLES	± -	UNLESS OTHERWISE SPECIFIED DIMENSIONS ARE IN MM, DECIMAL MAKER IS PERIOD			SIZE	D	SCALE	3/1	SHEET	2 OF 2

INTERPRET PER ASME Y14.5M
CODE IDENT 31413

CUSTOMER USE
DRAWING

DRW NO. C958-4900-500 SH 2 REV 07