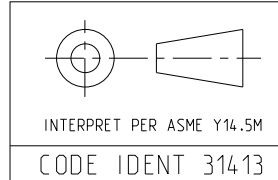
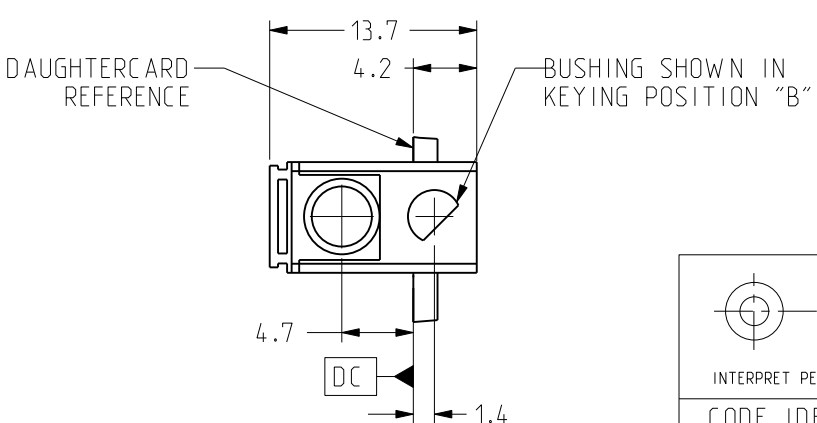
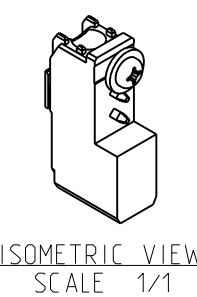
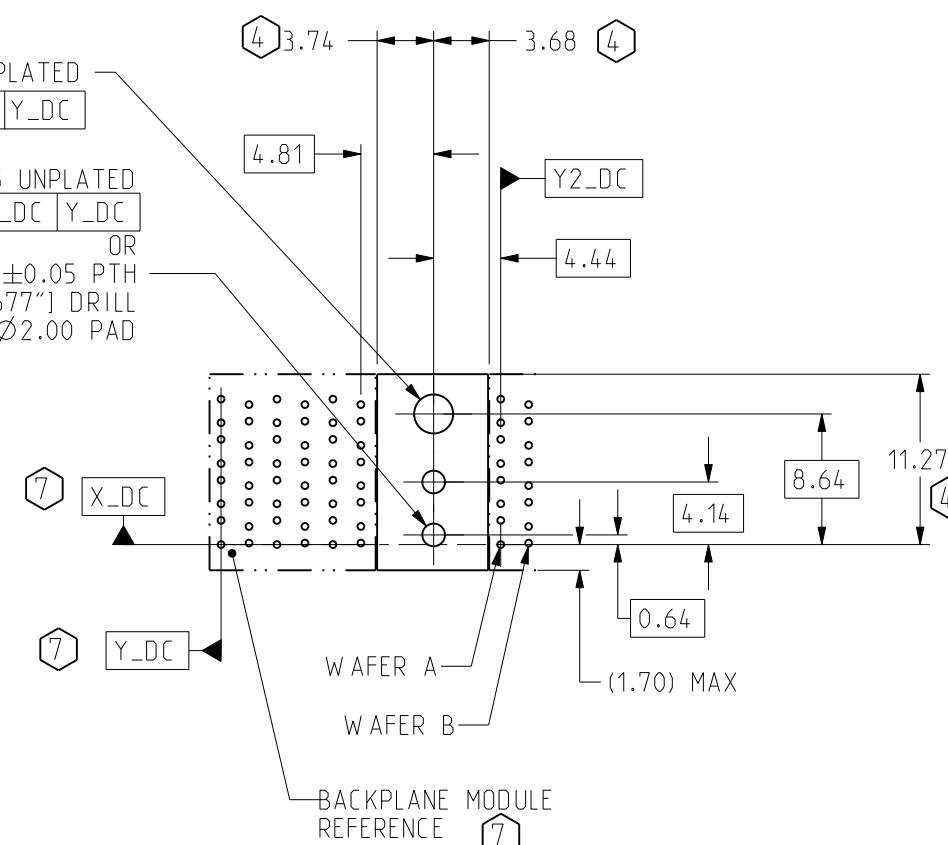
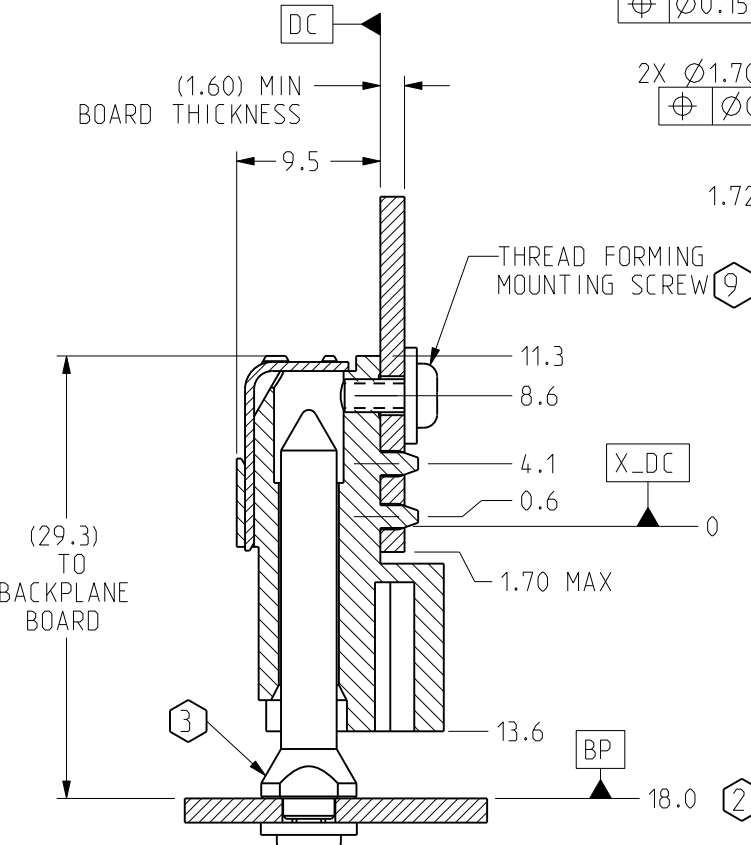
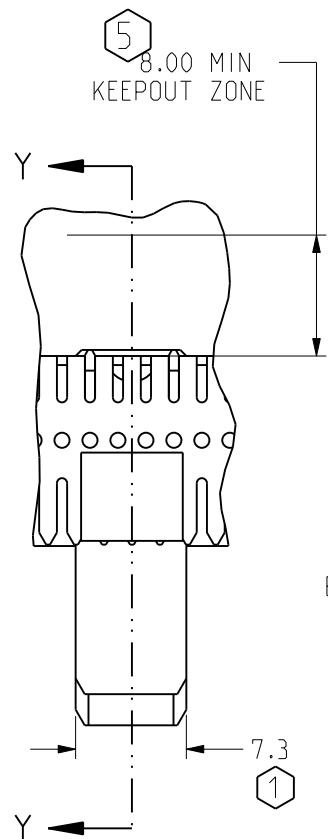


PART_NUMBER	KEY_POSITION
960-200A-A0A	A
960-200B-A0A	B
960-200C-A0A	C
960-200D-A0A	D
960-200E-A0A	E
960-200F-A0A	F
960-200G-A0A	G
960-200H-A0A	H
960-200Y-A0A	NO KEY

ZONE	REV	SCR NUMBER	DESCRIPTION	BY	DATE	APPROVED
	02		SCREW+SCR. HOLE CHANGED	LEIGHTON	08/07/2007	A.PFAHNL
	03		DIM $\varnothing 2.58 \pm 0.05$ WAS $\varnothing 2.41 / 2.34$	HCL-GM	12/05/2008	D.MANTER



TOLERANCES	DESIGN
0.0	± 0.25
0.00	± 0.13
0.000	$\pm -$
ANGLES	$\pm 3^\circ$

UNLESS OTHERWISE SPECIFIED DIMENSIONS ARE IN MM. DECIMAL MAKER IS PERIOD

CUSTOMER USE DRAWING

Amphenol TCS A Division of Amphenol Corporation 200 Innovative Way, Nashua, NH 03062 603.879.3000	
TITLE RIGHT ANGLE FEMALE PLASTIC GUIDE MODULE XCede 2 PAIR	
PART NO.	SEE TABLE
REV	N/A
DRAWING NO.	C960-200Z-500
ProeASSEM	P1109-DC-GUIDE-PLSTC-MODULE-2P C960-200Z-500-DC2-GUIDE-PLSTIC.drw
REV	03
2.4	2.4
SIZE	B
SCALE	2/1
SHEET 1 OF 1	

NOTE:

- 1. USE 7.4 NOMINAL FOR DAUGHTERCARD LAYOUT.
- 2. NOMINAL DIMENSION FOR FULLY SEATED CONNECTOR.
- 3. FOR MATING GUIDE PIN DETAIL AND LOCATION, SEE: DRAWING C942-2000-500 FOR STANDALONE GUIDE PIN OR DRAWING C942-2010-500 FOR MODULE MOUNTED GUIDE PIN.
- 4. NO SURFACE TRACES IN KEEP-OUT ZONE.
- 5. FOR CONNECTOR REPAIRABILITY, USE KEEP OUT ZONE.
- 6. SEE TB-2211 FOR BOARD WEIGHT LIMITATIONS.
- 7. REFER TO C950-2X0A-500 FOR SIGNAL CONNECTOR DETAIL.
- 8. REFER TO TB-2150 FOR XCede PRODUCT SPECIFICATIONS.
- 9. SCREW LENGTH AND PART NUMBER ARE DEPENDENT ON DAUGHTERCARD THICKNESS (AS SPECIFIED FROM CONFIGURATOR).

DRW NO. C960-200Z-500
SH 1
REV 03