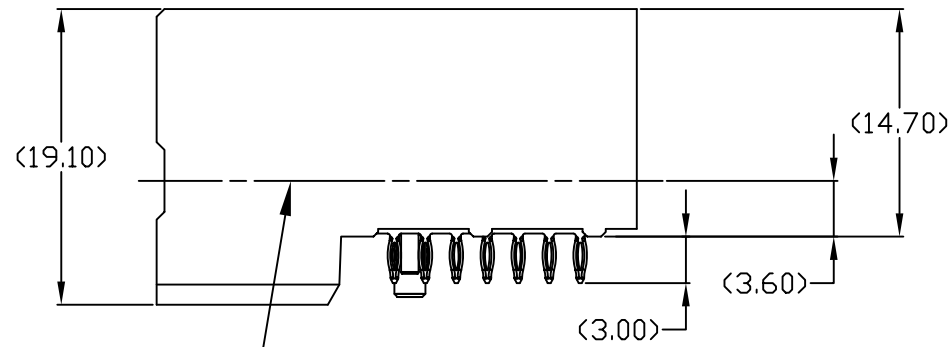
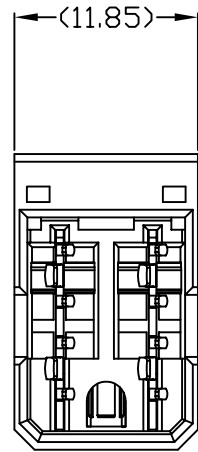
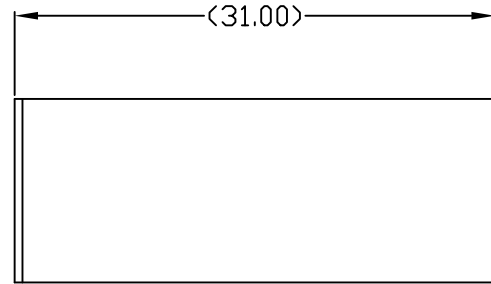
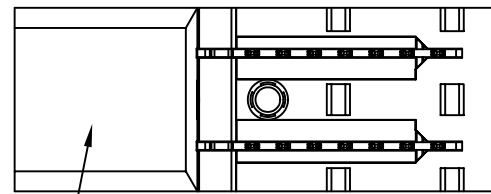


TABLE 1 : PTH RECOMMENDATIONS		
PLATING TYPE	TIN LEAD	COPPER OSP
DRILL HOLE ϕ	0.81 - 0.86 (0.85 DRILL)	0.80 - 0.85
Cu PLATING	0.025 - 0.050	
Sn Pb	0.005-0.015	N/A
HOLE DIAMETER AFTER PLATING	0.65 - 0.80	

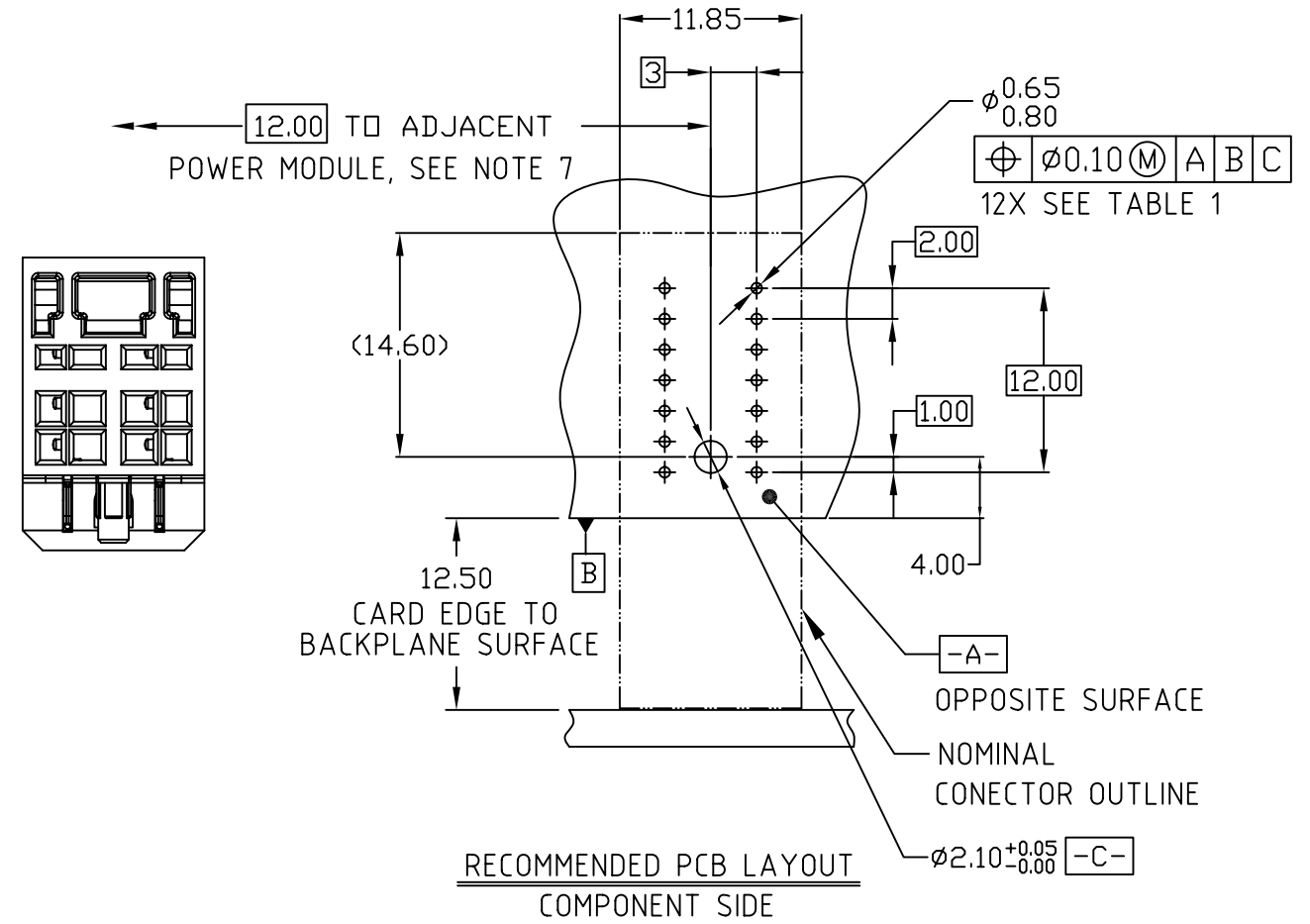
REV	SCR NO.	DESCRIPTION	BY	DATE	APPROVED
-	KLEC-6XWTSX.VER01	NEW RELEASE	HCL-AP	01/30/07	K.LEBLANC



OF MATING SHROUD



SEE NOTE 5



RECOMMENDED PCB LAYOUT
COMPONENT SIDE

TOLERANCES	DWN	CHK	APVD
.00	± 0.2	01/30/07 HCL-AP	01/30/07 K.LEBLANC
.000	± 0.1	01/30/07 K.LEBLANC	01/30/07 K.LEBLANC
.0000	± 0.05		
ANGLES	$\pm 2^\circ$		

UNLESS OTHERWISE SPECIFIED
DIMENSIONS ARE IN MILLIMETERS

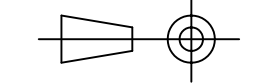
Amphenol TCS
A Division of Amphenol Corporation
44 Simon Street, Nashua, NH. 03060 (603) 879-3000

TITLE
AIRMAX VS RA HEADER ASSY
POWER,PRESS-FIT,1X2 POS,12MM

PART NO.
AA612-01000

DRAWING NO.
CAA612-01000

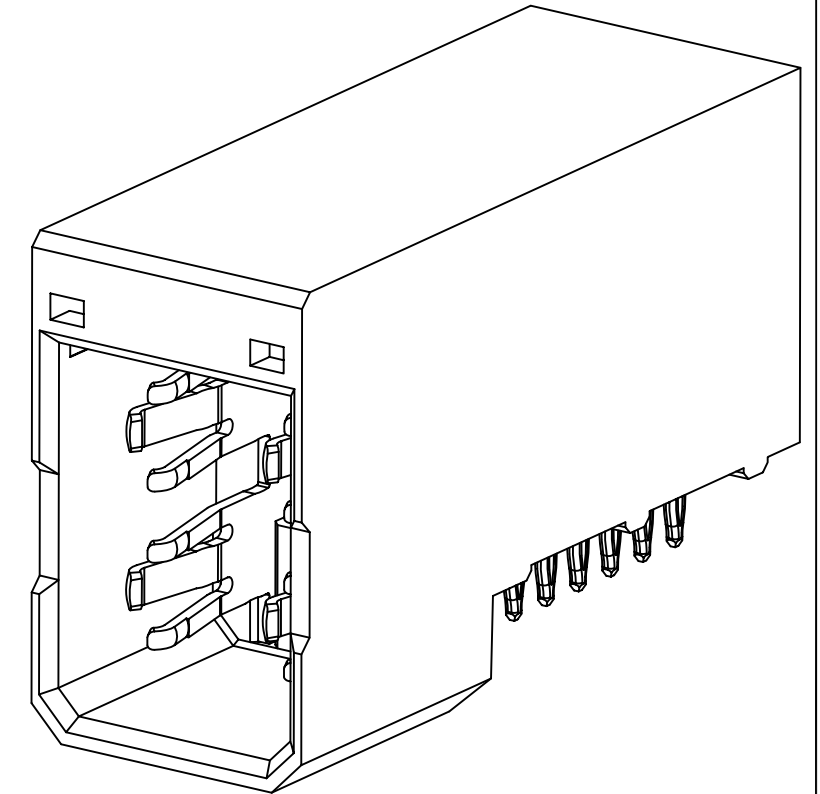
SIZE B SCALE 2:1 SHEET 1 OF 2


 INTERPRET PER ANSI Y14.5
 CODE IDENT 31413

CUSTOMER USE
DRAWING

DWG NO. CAA612-01000 SH 1 REV -

SYM	ECN	DESCRIPTION	DATE	APPROVED
-		SEE SHEET 1		



NOTES:

- ① CONTACT MATERIALS:
HOUSING: HIGH TEMPERATURE THERMOPLASTIC, BLACK, UL 94V-0
CONTACT: HIGH PERFORMANCE COPPER ALLOY
- ② CONTACT PLATING:
PRESS-FIT TAIL: 0.5 - 2.0µm PURE TIN OVER NICKEL
SEPARABLE INTERFACE: 0.76µm MIN GOLD OVER NICKEL
- 3 PRODUCT SPECIFICATION: TB-2162
- 4 APPLICATION SPECIFICATION: TB-2163
- ⑤ PRODUCT MARKING, (PART NUMBER & LOT CODE) ON THIS SURFACE
- 6 MINIMUM NOMINAL PCB THICKNESS: 1.6mm
- ⑦ REFER TO CUSTOMER DRAWING CAA-PCB-5000 FOR INFORMATION REGARDING PCB LAYOUT OF POWER AND GUIDE MODULES RELATIVE TO SIGNAL MODULES.

TOLERANCES		DWN 01/30/07 HCL-AP	Amphenol TCS A Division of Amphenol Corporation 44 Simon Street, Nashua, N.H. 03060 (603) 879-3000
.00	± 0.2	CHK 01/30/07 K.LEBLANC	
.000	± 0.1	APVD 01/30/07 K.LEBLANC	
.0000	± 0.05		
ANGLES	± 2°	UNLESS OTHERWISE SPECIFIED DIMENSIONS ARE IN MILLIMETERS	
TITLE			AIRMAX VS RA HEADER ASSY POWER,PRESS-FIT,1X2 PDS,12MM

INTERPRET PER ANSI Y14.5
CODE IDENT 31413

CUSTOMER USE DRAWING		PART NO. AA612-01000	REV -
		DRAWING NO. CAA612-01000	REV -
SIZE B	SCALE 2:1	SHEET 2 OF 2	